







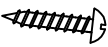
Parker House
FURNITURE

Assembly Instruction

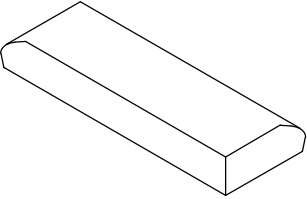
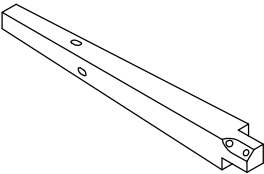
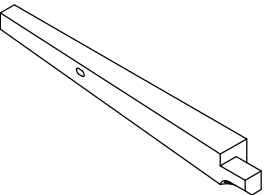
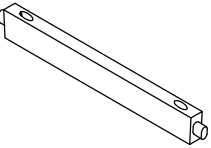
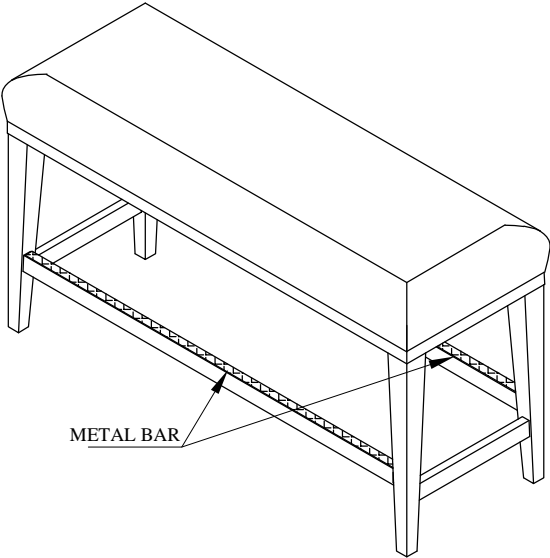
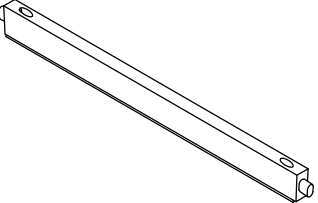
Item No: DAME#1226

Description : BENCH COUNTER UPHOLSTERED 49 IN

HARDWARE LIST

No	Description	Sketch	Q'TY
A	Allen Wrench 4mm		1PC
B	Bolt Ø5/16x40mm		8PCS
C	Lock Washer Ø5/16x12mm		8PCS
D	Flat Washer Ø5/16x19mm		8PCS
E	Screw #4x50mm		8PCS

PARTS LIST

BENCH TOP (1PC)	LEFT LEG (2PCS)	RIGHT LEG (2PCS)	SHORT STRETCHER (2PCS)
① 	② 	③ 	④ 
LONG STRETCHER WITH METAL (2PCS)			
⑤ 			



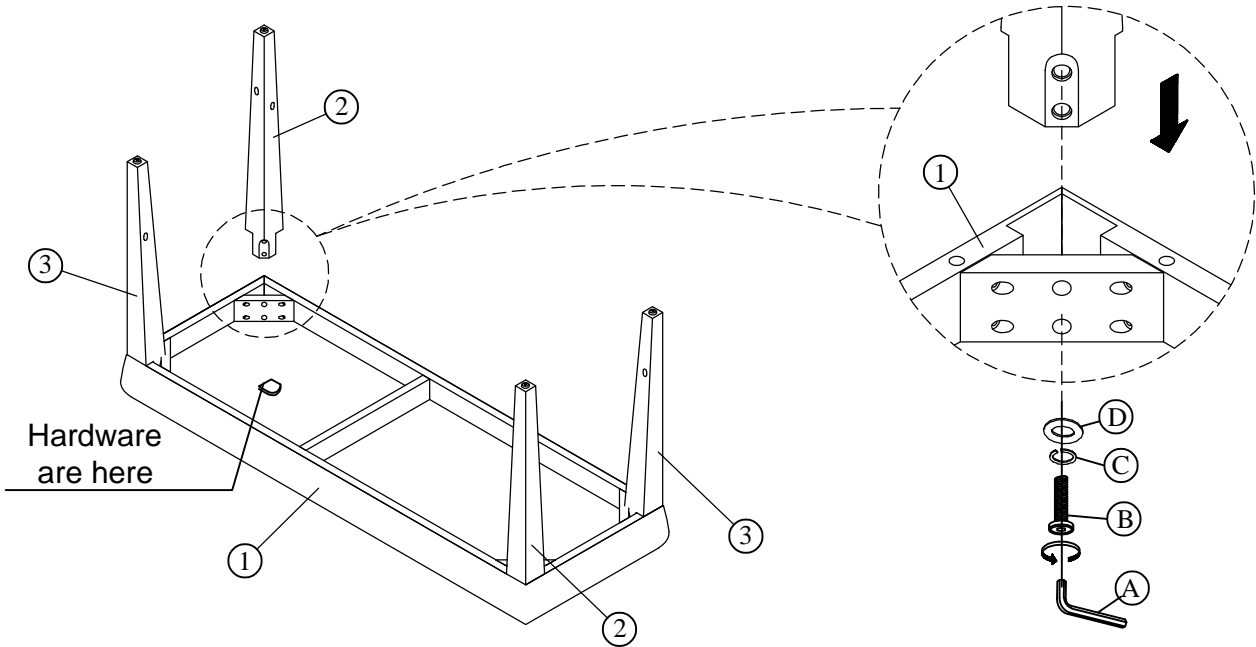
Parker House
FURNITURE

Assembly Instruction

Item No: DAME#1226

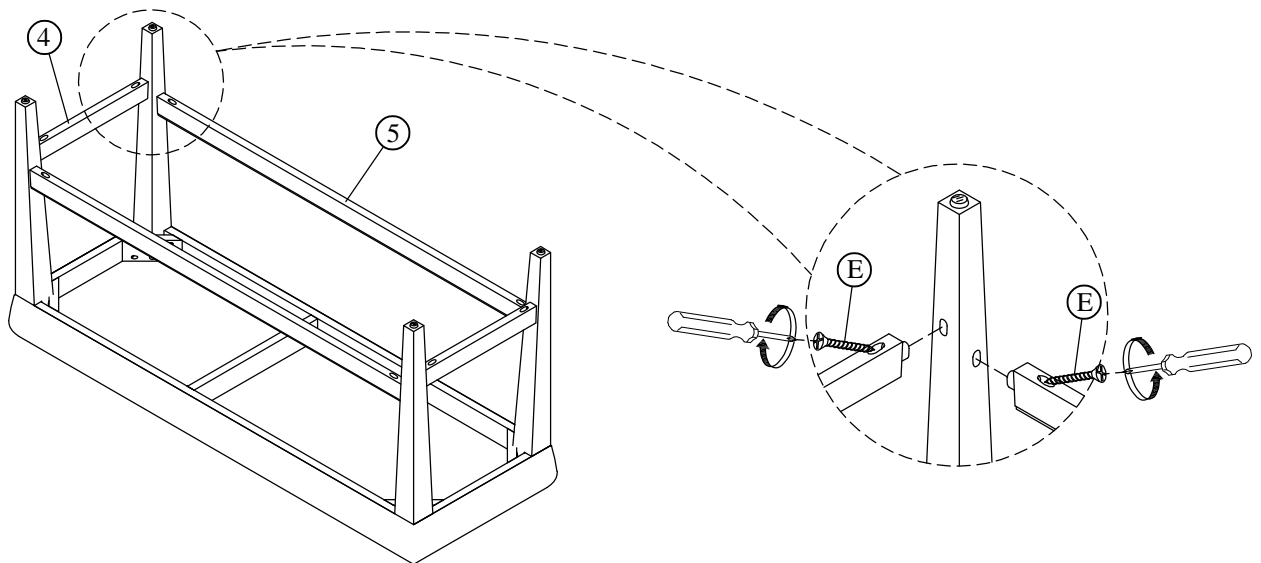
Description : BENCH COUNTER UPHOLSTERED 49 IN

STEP 1



* Do not tighten bolts

STEP 2



* Tighten all screws & bolts