



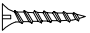


Assembly Instruction

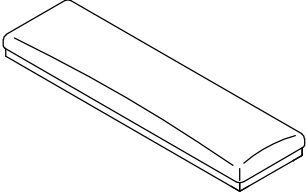
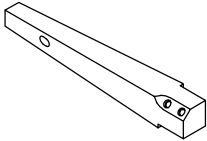
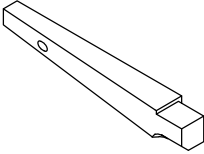
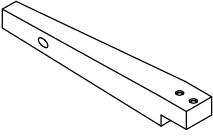
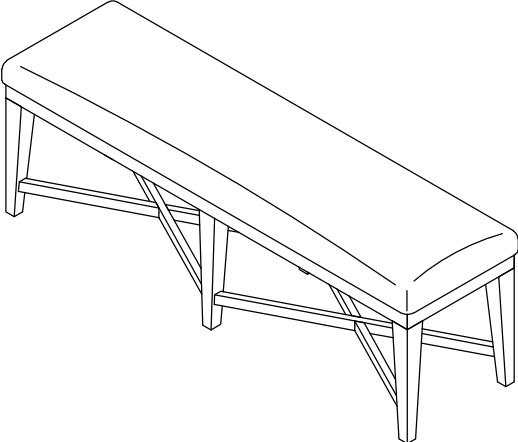
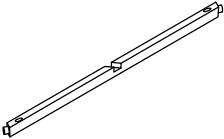
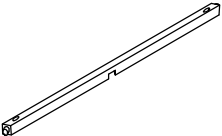
Item No: DAME#1218

Description : BENCH UPHOLSTERED 58IN

HARDWARE LIST

No	Description	Sketch	Q'TY
A	Allen Wrench 4mm		1PC
B	Bolt Ø5/16x40mm		12PCS
C	Lock Washer Ø5/16x12mm		12PCS
D	Flat Washer Ø5/16x19mm		12PCS
E	Screw #4x50mm		8PCS

PARTS LIST

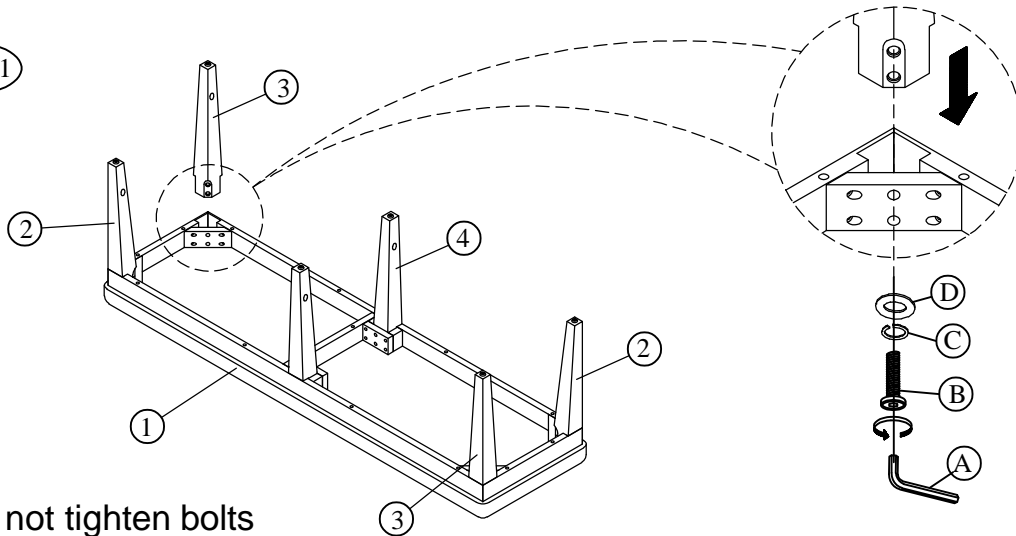
BENCH TOP (1PC)		LEFT LEG (2PCS)		RIGHT LEG (2PCS)		CENTER LEG (2PCS)	
①		②		③		④	
UPPER STRETCHER (2PCS)		BOTTOM STRETCHER (2PCS)					
⑤		⑥					

Assembly Instruction

Item No: DAME#1218

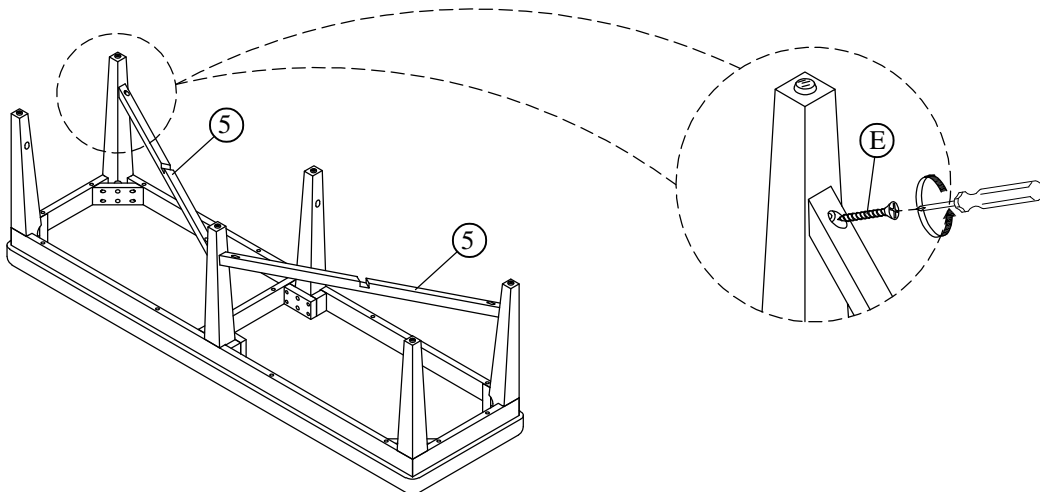
Description : BENCH UPHOLSTERED 58IN

STEP 1



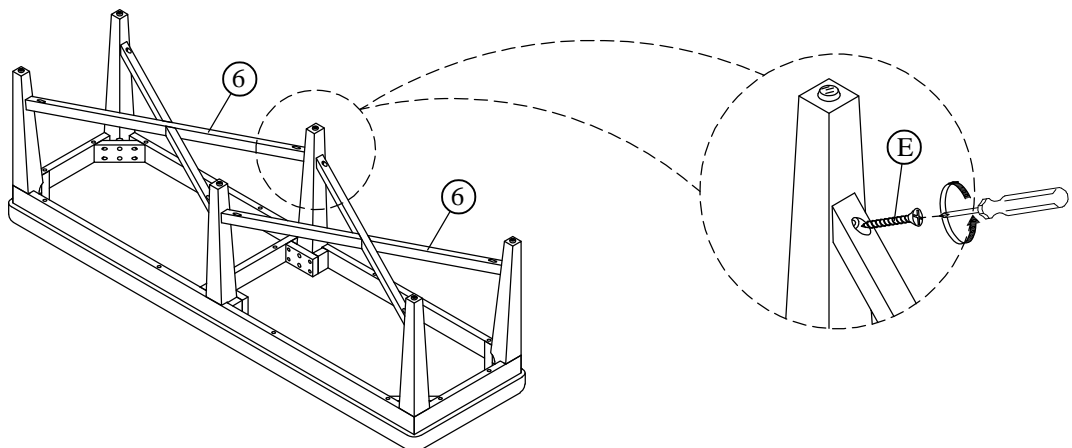
* Do not tighten bolts

STEP 2



* Do not tighten screws & bolts

STEP 3



* Tighten all screws & bolts