







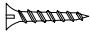
**Parker House**  
FURNITURE

# Assembly Instruction

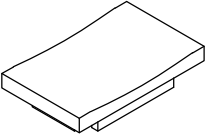
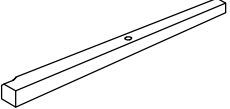
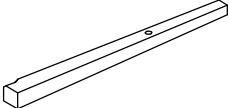
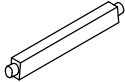
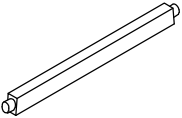
Item No: DAME#1030

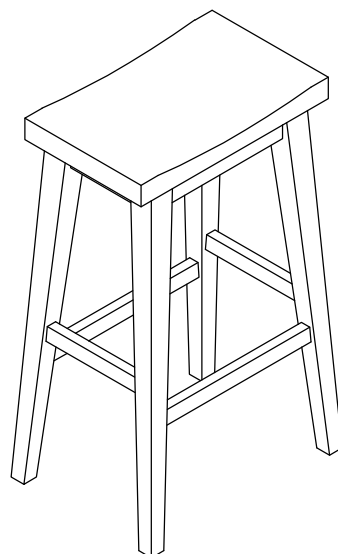
Description : BAR STOOL 30 IN

## HARDWARE LIST

No	Description	Sketch	Q'TY
A	Allen Wrench 4mm		1PC
B	Bolt Ø1/4x60mm		8PCS
C	Lock Washer Ø1/4x12mm		8PCS
D	Flat Washer Ø1/4x19mm		8PCS
E	Screw #4x38mm		8PCS

## PARTS LIST

SEAT FRAME (1PC)	RIGHT LEG (2PCS)	LEFT LEG (2PCS)	SHORT STRETCHER (1PC)	LONG STRETCHER (1PC)
① 	② 	③ 	④ 	④ 





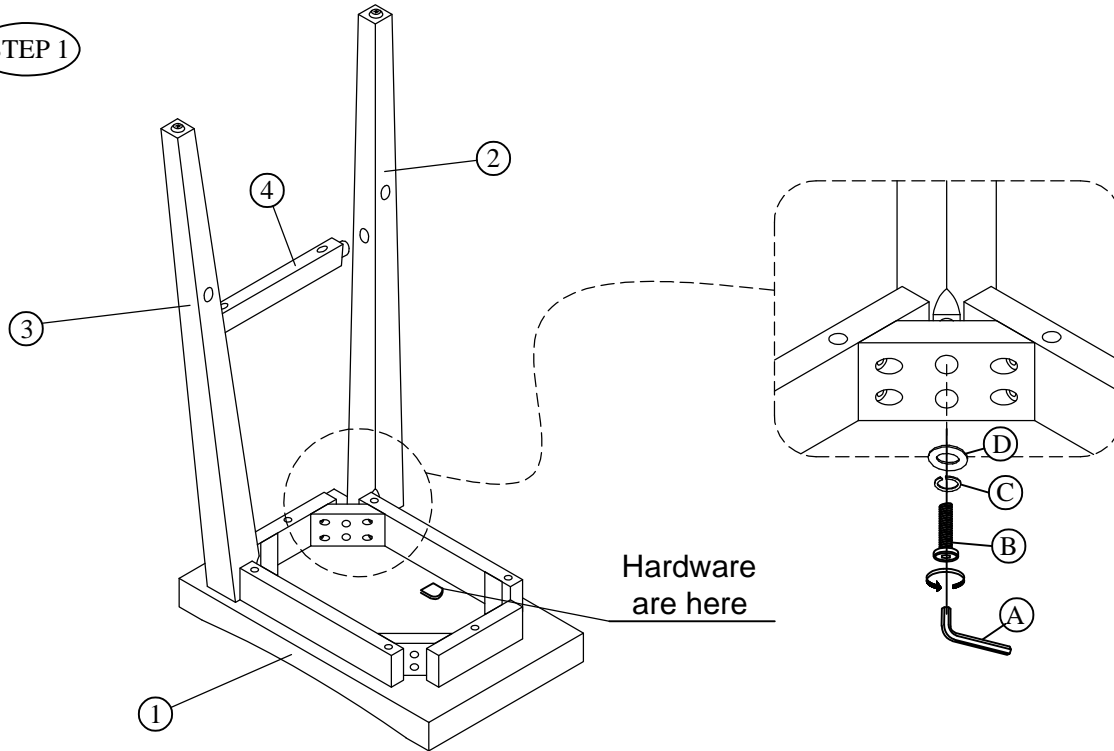
Parker House  
FURNITURE

# Assembly Instruction

Item No: DAME#1030

Description : BAR STOOL 30 IN

STEP 1



\* Do not tighten bolts

STEP 2

