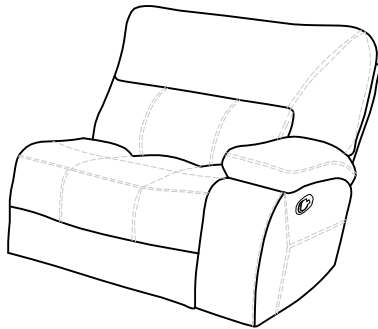




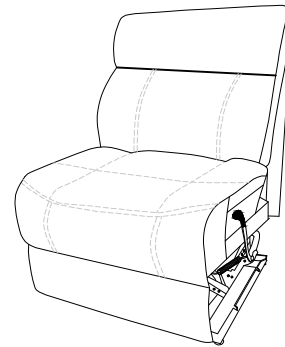
**ASSEMBLY INSTRUCTIONS
NOTICE DE MONTAGE**

* Please keep these instructions and have the product model # and part # available when requesting a service.

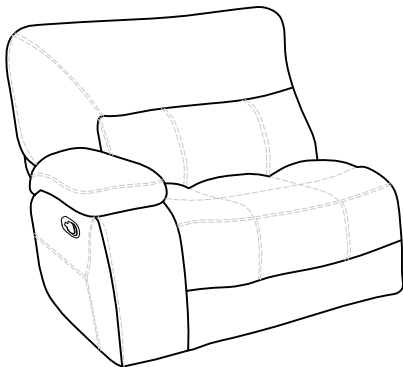
RIGHT ARM



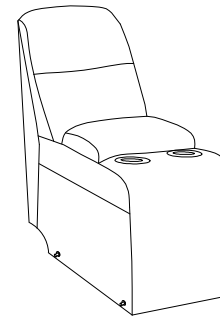
MANUAL ARMLESS RECLINER



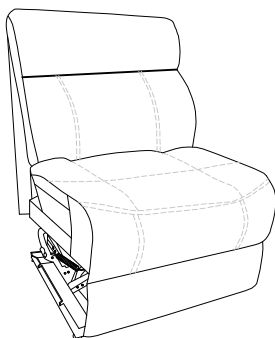
LEFT ARM



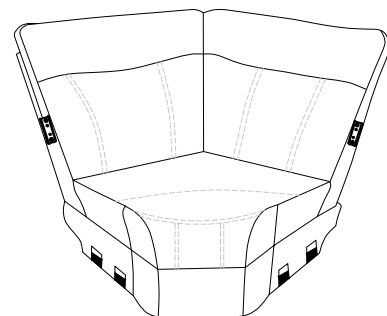
ENTERTAINMENT CONSOLE



ARMLESS CHAIR

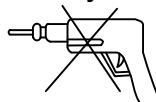


CORNER WEDGE

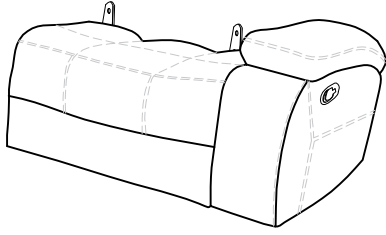


IMPORTANT NOTE

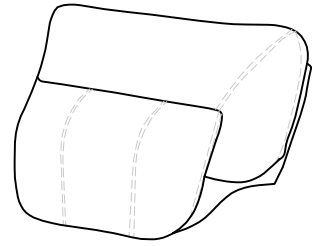
Do not use a power tool to assemble this product as it could damage the thread of the hardware and affect the solidity/durability of the product.



A x 1

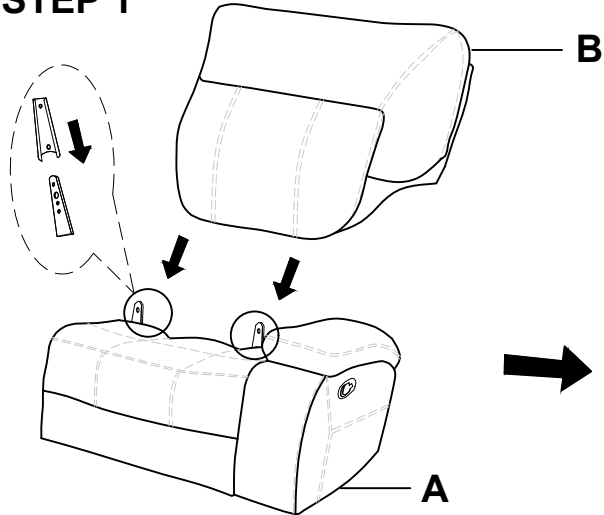


B x 1

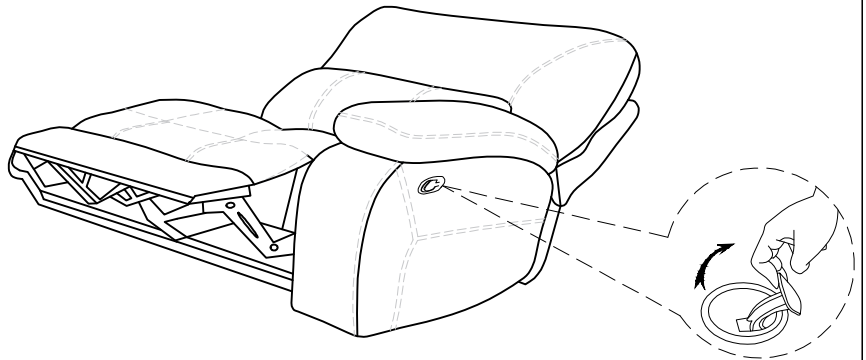


RIGHT ARM

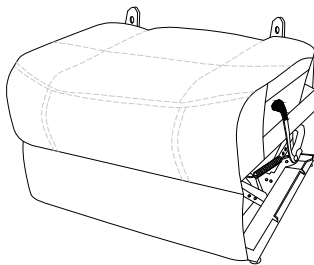
STEP 1



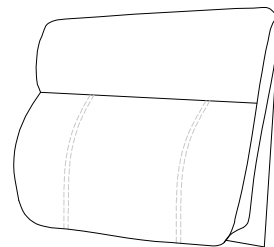
STEP 2



C x 1

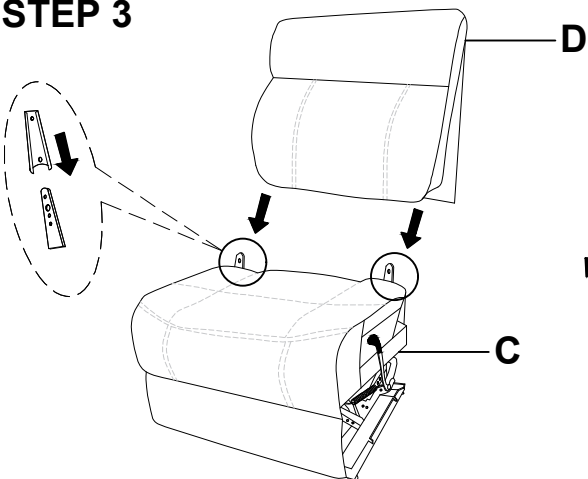


D x 1

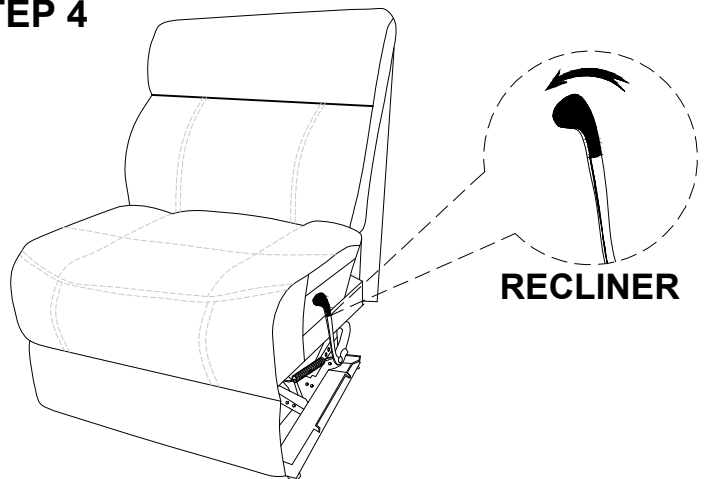


MANUAL ARMLESS RECLINER

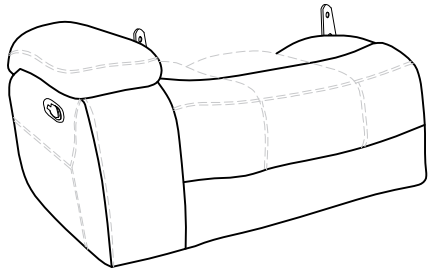
STEP 3



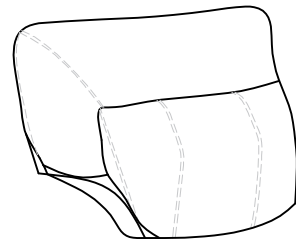
STEP 4



E x 1

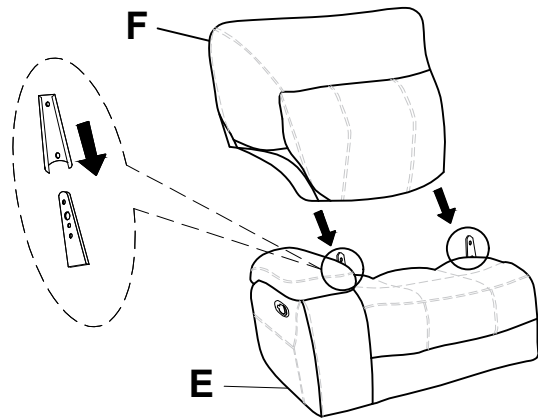


F x 1

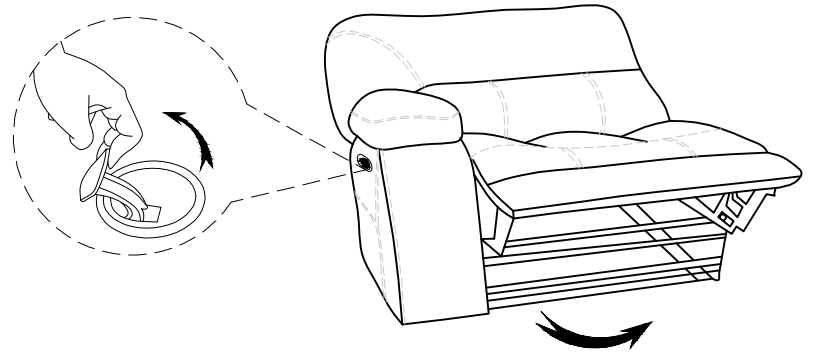


LEFT ARM

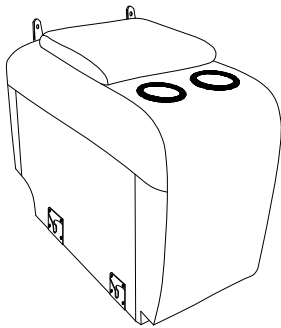
STEP 5



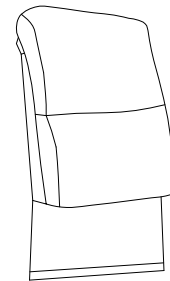
STEP 6



G x 1

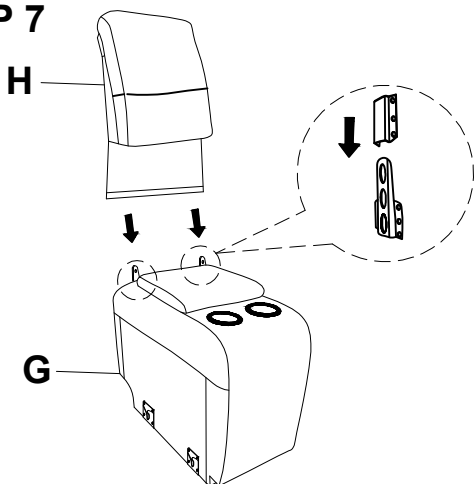


H x 1

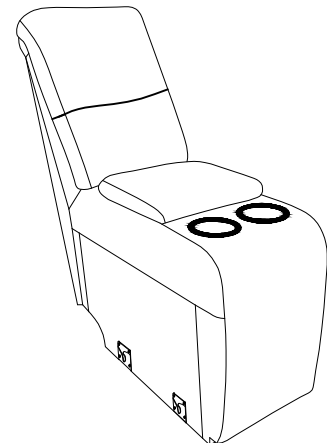


ENTERTAINMENT CONSOLE

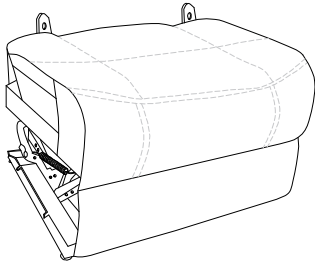
STEP 7



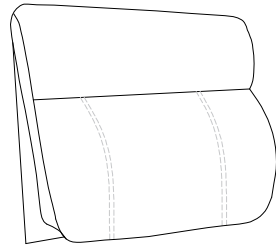
STEP 8



I x 1



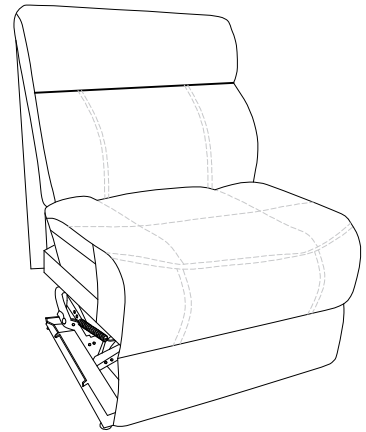
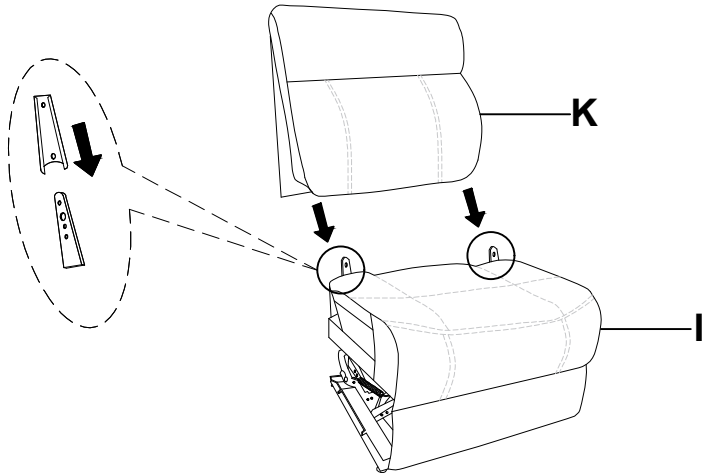
K x 1



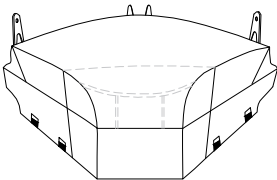
ARMLESS CHAIR

STEP 9

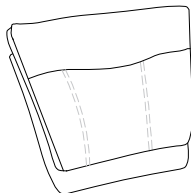
STEP 10



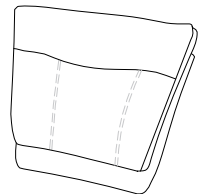
L x 1



M x 1

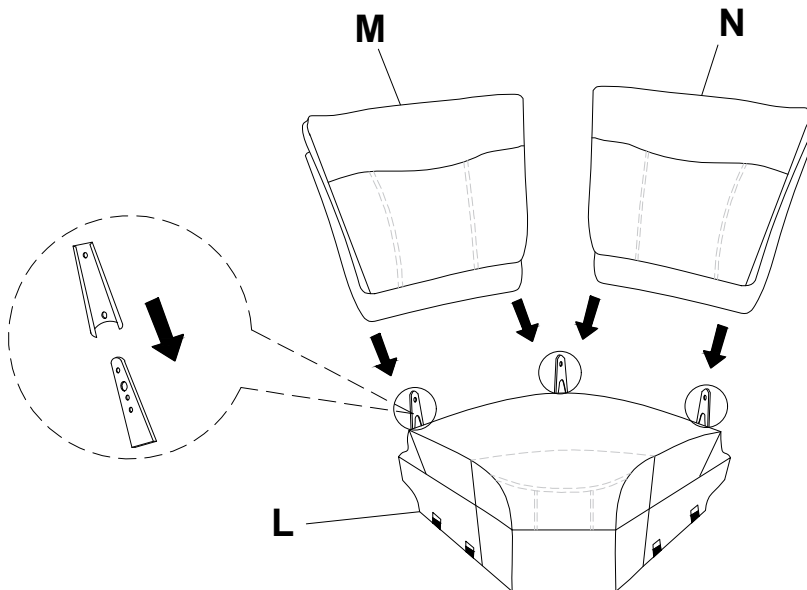


N x 1

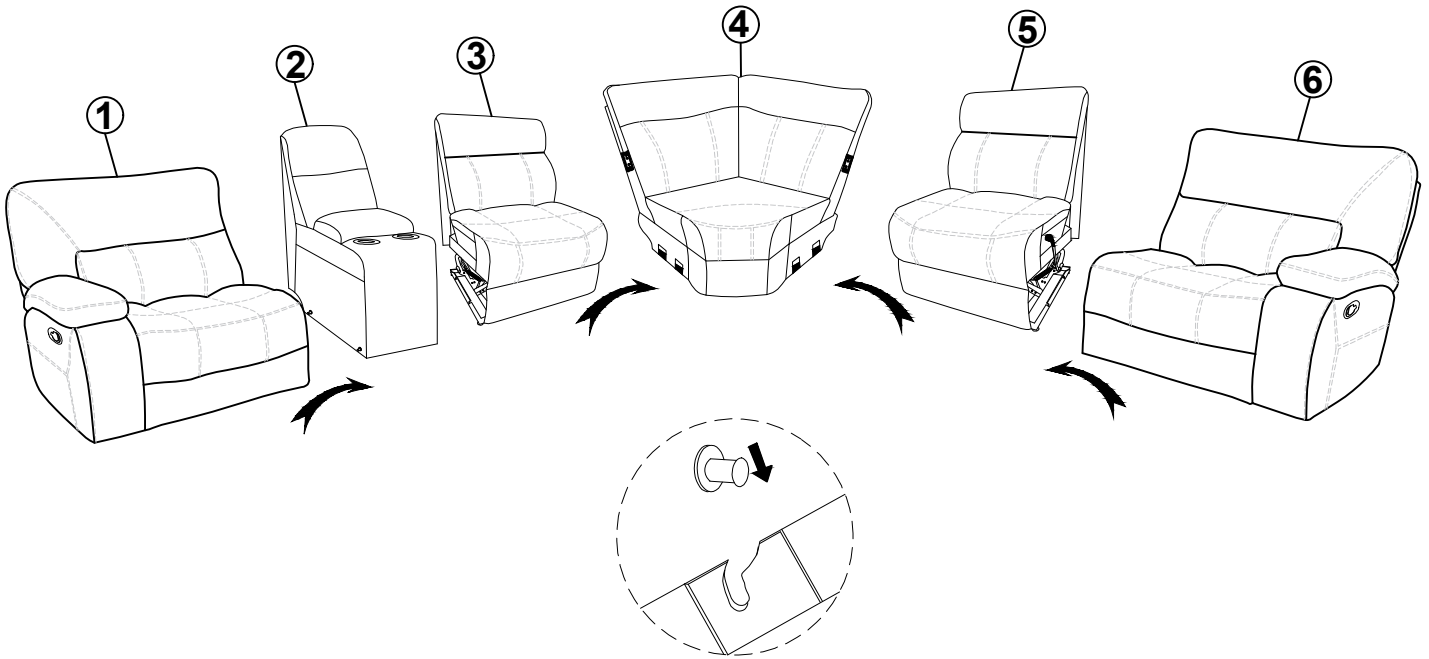


CORNER WEDGE

STEP 11



STEP 12



To connect your sectional pieces start with the piece on the left side when facing the sectional(#1).Hook the pins of the piece you want next to it into the slots on the bottom of item #1,continue connecting the remaining sectional piece in order.You can configure the pieces many ways.To disconnect,go in the reverse direction,in the drawing below you would begin with #6.

COMPLETED

