



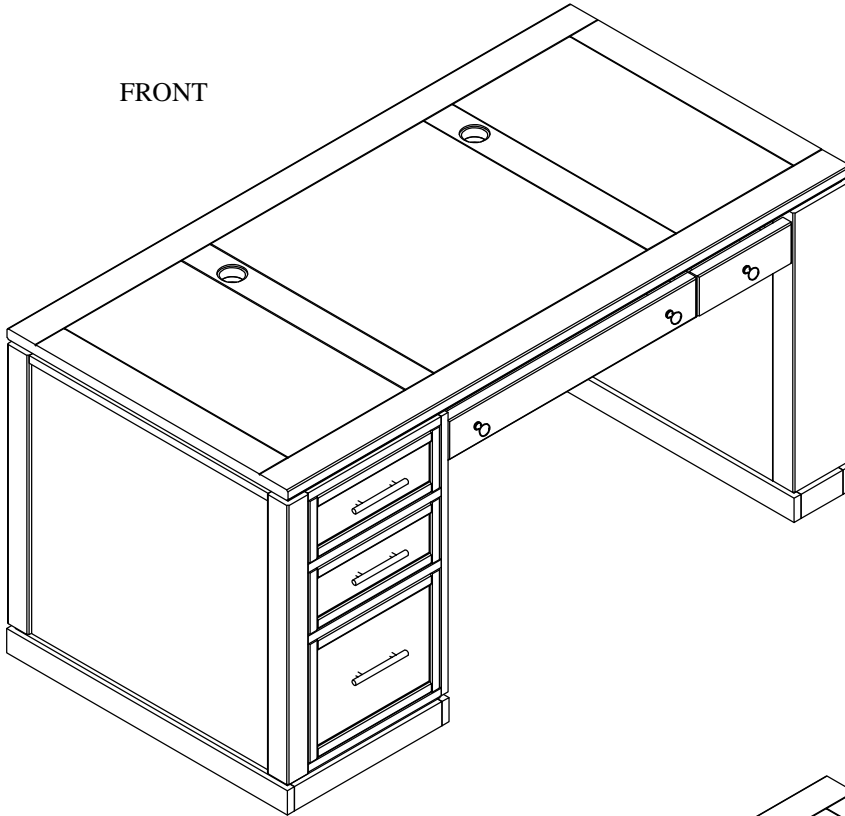
Parker House
FURNITURE

Assembly Instruction

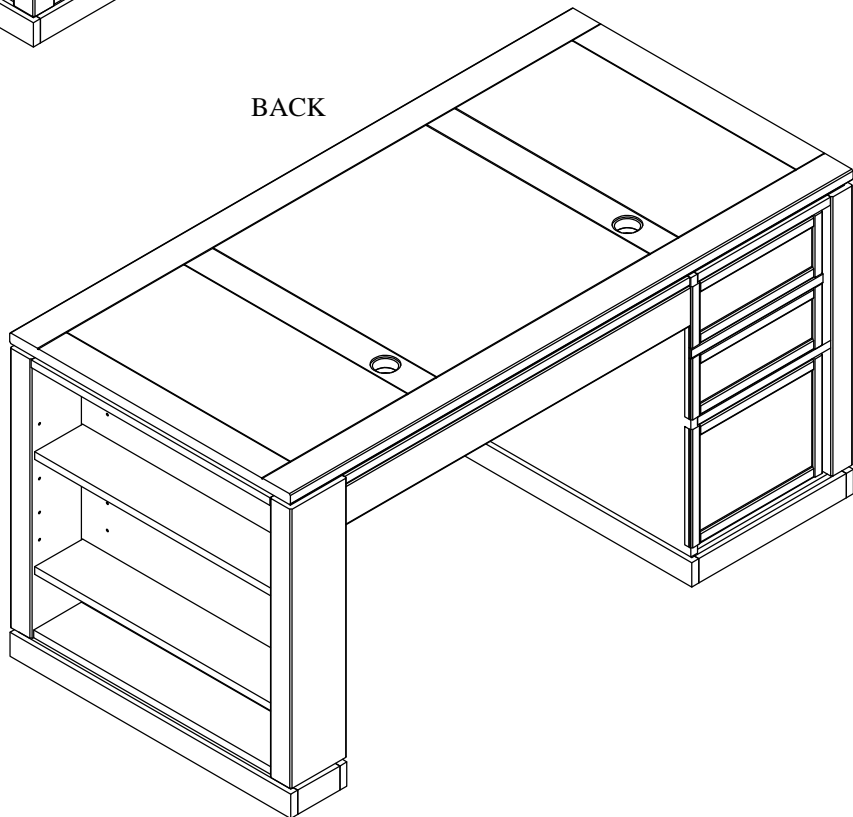
Item No: CAT-486A/B

Description : DESK PEDESTALS

FRONT



BACK











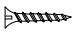


Parker House
FURNITURE

Assembly Instruction

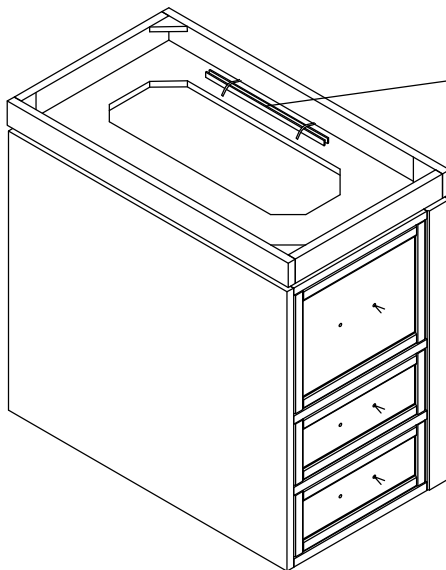
Item No: CAT-486A/B

Description : DESK PEDESTALS

HARDWARE LIST

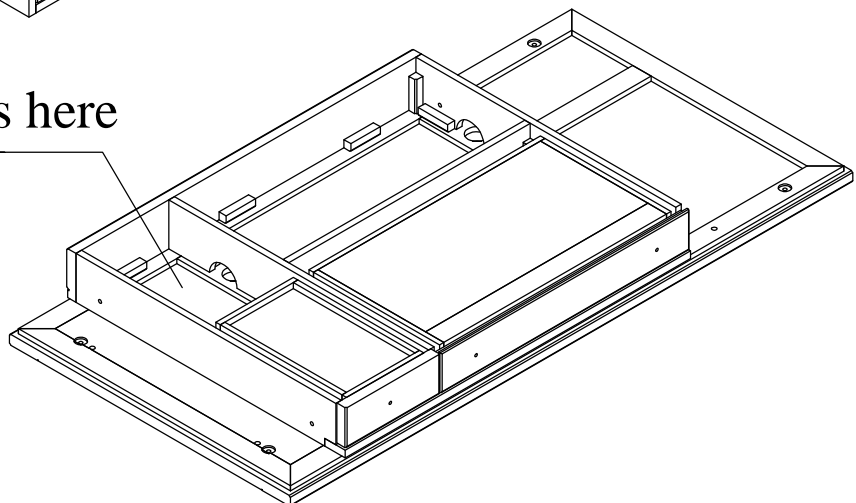
No	Description	Sketch	Q'TY
A	Allen Wrench 4mm		1PC
B	Bolt Ø 1/4"x1-1/4"		8PCS
C	Lock washer		8PCS
D	Flat washer		8PCS
E	Grommet		2PCS
F	Allen Wrench 4mm		1PC
G	Head Screw		4PCS
H	2 port USB		1PC
I	File rods 320x3x12mm		2PCS

STEP 1



HARDWARE
File rods pack is here

Hardware pack is here





Parker House
FURNITURE

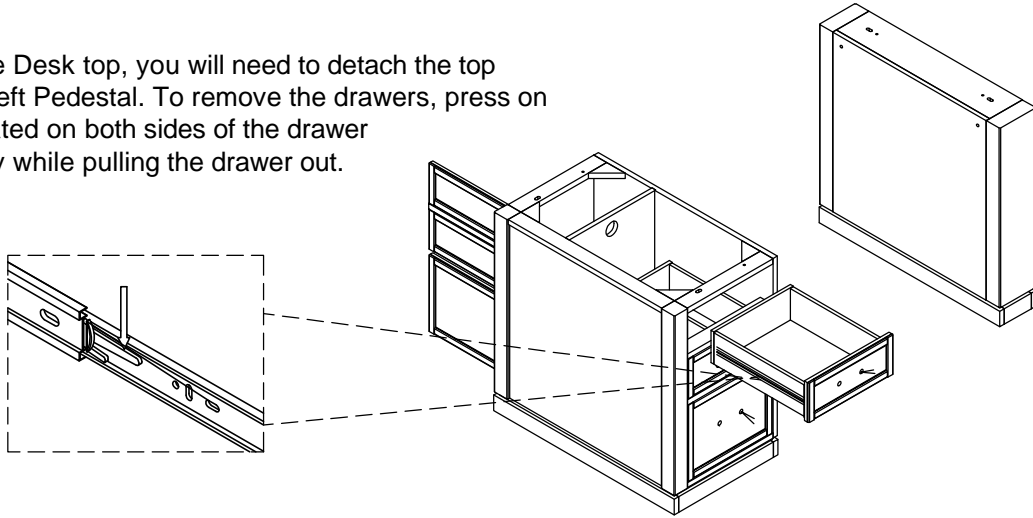
Assembly Instruction

Item No: CAT-486A/B

Description : DESK PEDESTALS

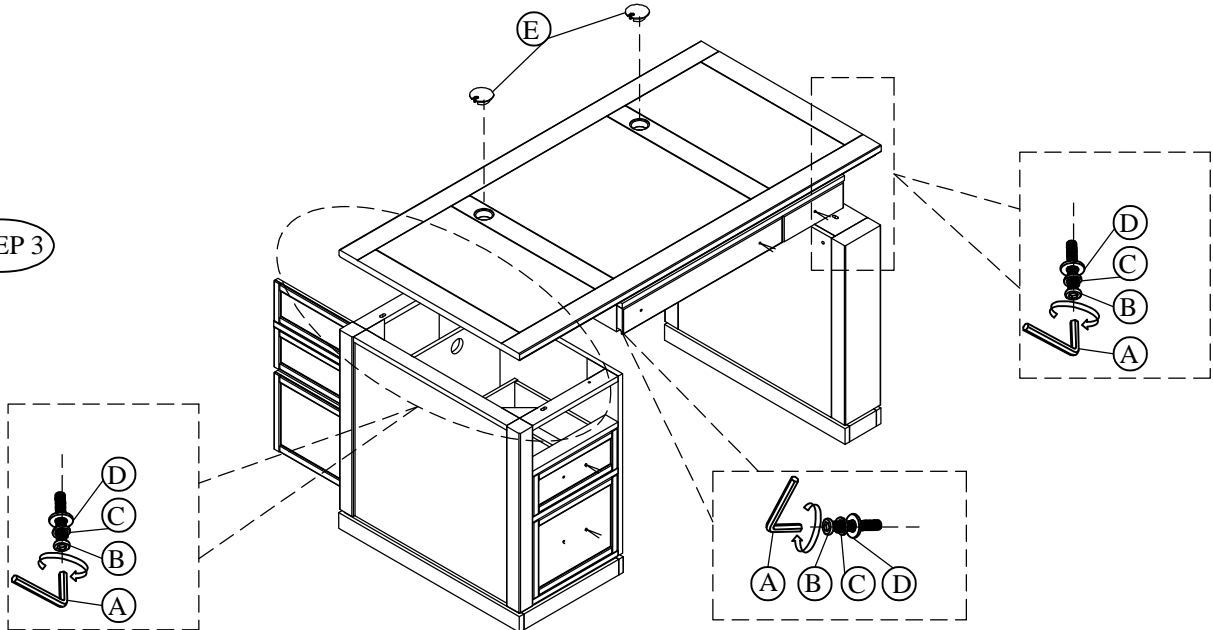
To connect the Desk top, you will need to detach the top drawer of the left Pedestal. To remove the drawers, press on the levers located on both sides of the drawer simultaneously while pulling the drawer out.

STEP 2

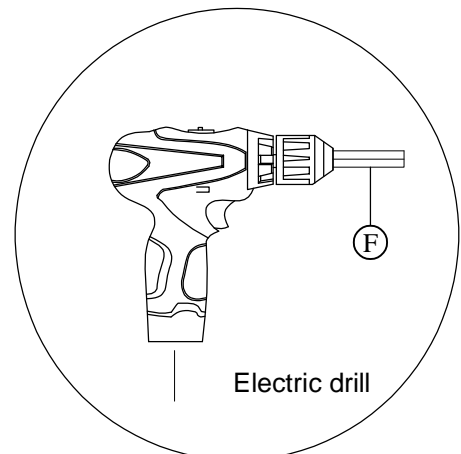


Insert Wire Grommets (E)
into wire hole on desk's top.

STEP 3



Place the desk top on the left and right pedestal lining up the dowel's and bolt holes. once aligned, secure the top using the Bolt (B), Lock Washers (C), and Flat Washers (D) as shown in the diagram.





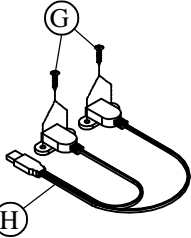
Parker House
FURNITURE

Assembly Instruction

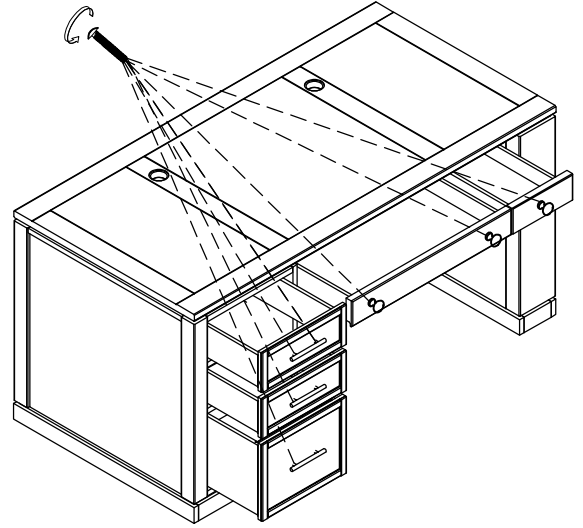
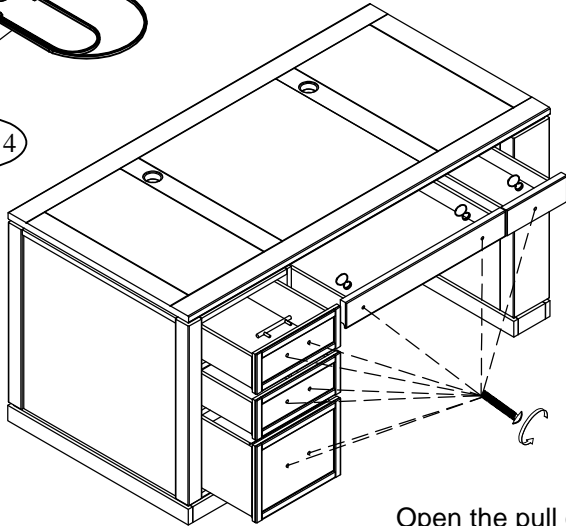
Item No: CAT-486A/B

Description : DESK PEDESTALS

Mount the 2 port USB at the desired place with screw(G).

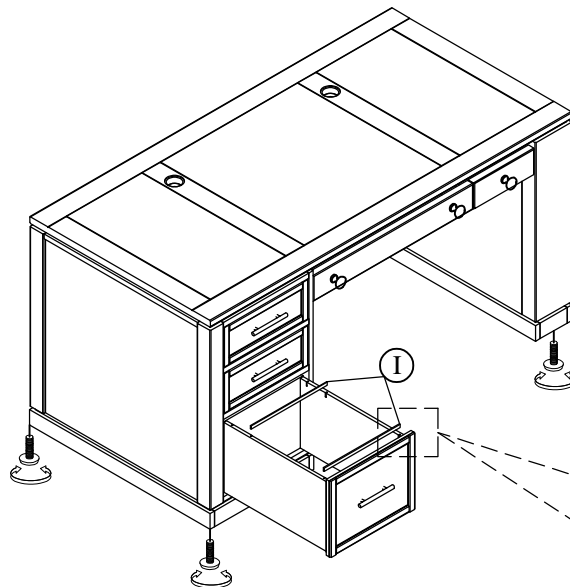


STEP 4



Open the pull out drawer, take off the handle & knobs installed on the back of drawer front and reattach the handle on the front side as shown.

STEP 5



LEVELER =8PCS

