

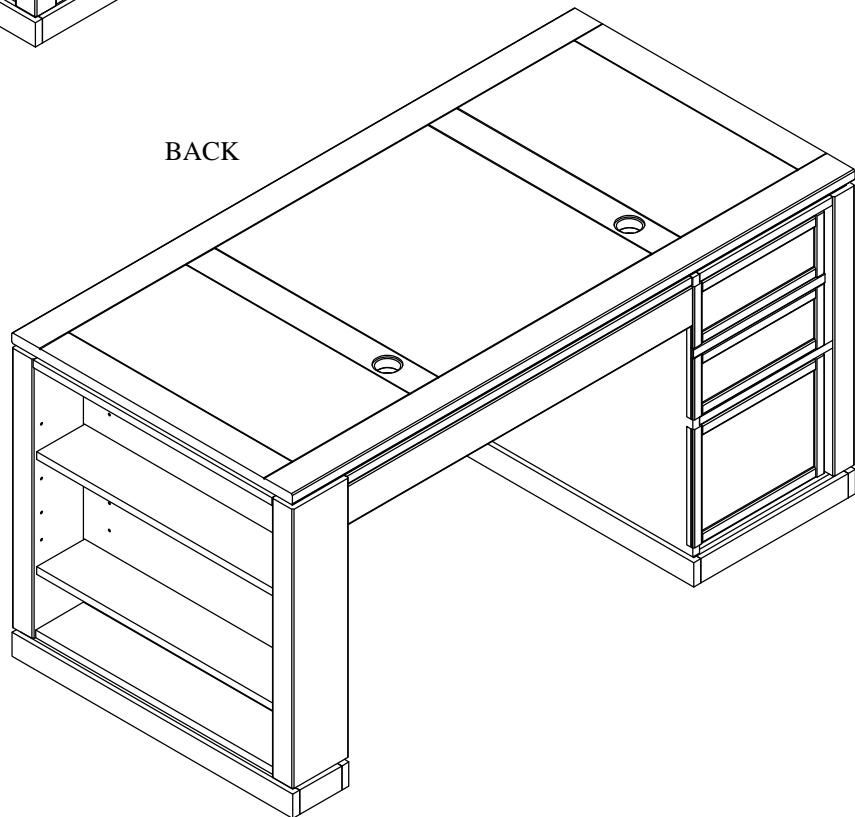
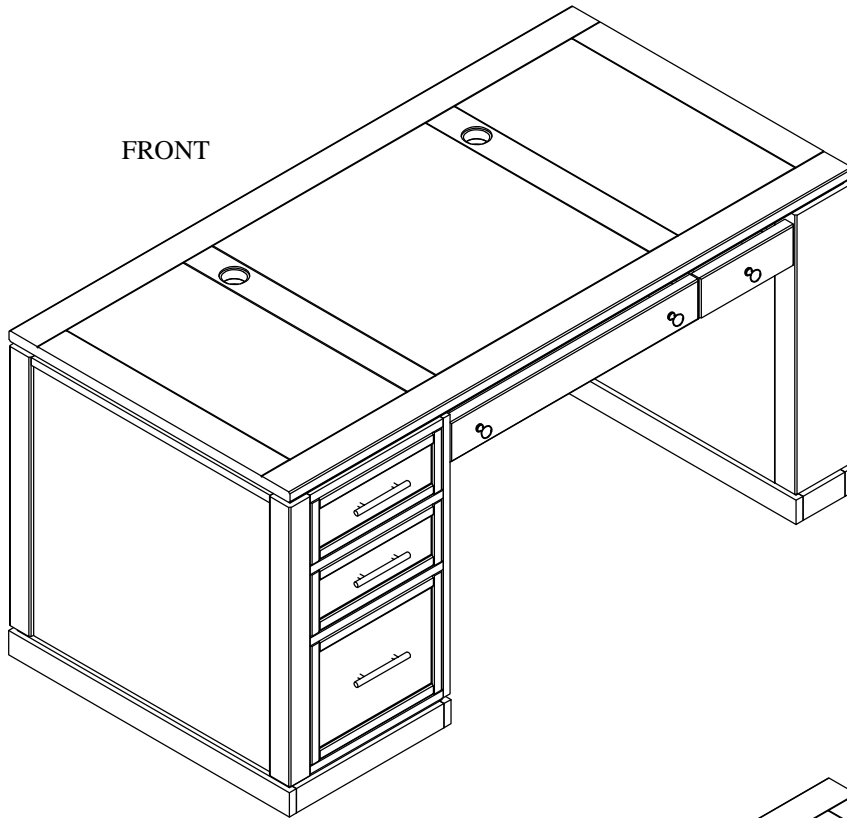


Parker House  
FURNITURE

# Assembly Instruction

Item No: CAT#486A / CAT#486B  
Description : DESK TOP / DESK PEDESTALS

Rev 2 :2021-11-11





**Parker House**  
FURNITURE

# Assembly Instruction

Item No: CAT#486A / CAT#486B  
Description : DESK TOP / DESK PEDESTALS

Rev 2 :2021-11-11

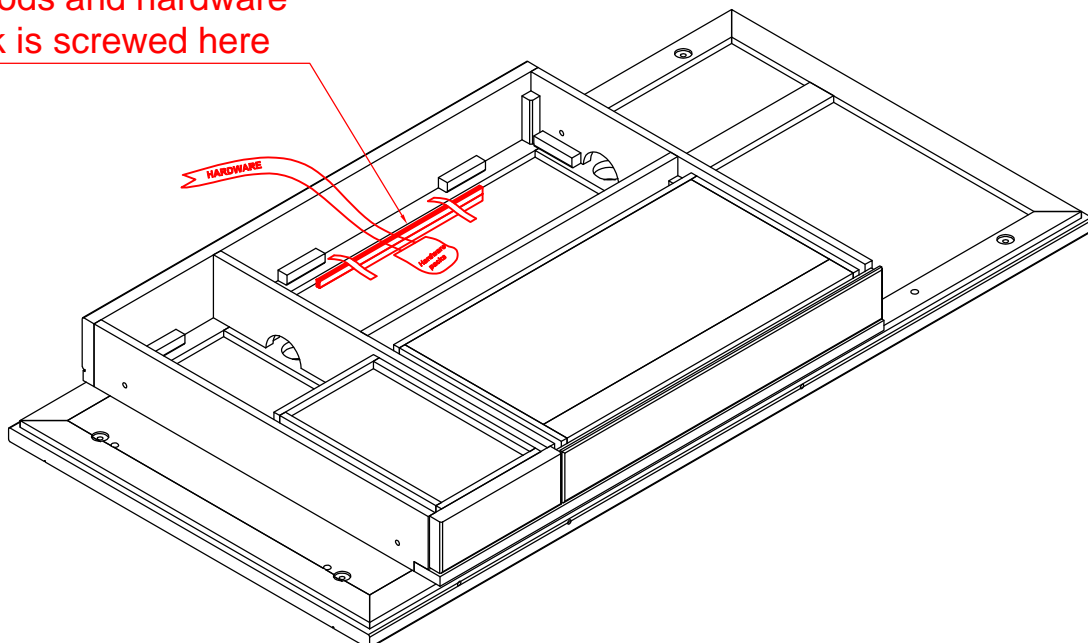
## HARDWARE LIST

No	Description	Sketch	Q'TY
A	Allen wrench 4mm		1PC
B	Bolt Ø 1/4"x1-1/4"		8PCS
C	Lock washer		8PCS
D	Flat washer		8PCS
E	Grommet		2PCS
F	Allen wrench 4mm		1PC
G	Head screw		4PCS
H	2 port USB		1PC
I	File rods 320x3x12mm		2PCS

## PARTS LIST

CAT#486A DESK TOP	
TABLE TOP (1PC)	
CAT#486B DESK PEDESTALS	
LEFT PEDESTAL (1PC)	RIGHT PEDESTAL (1PC)

File rods and hardware pack is screwed here





Parker House  
FURNITURE

# Assembly Instruction

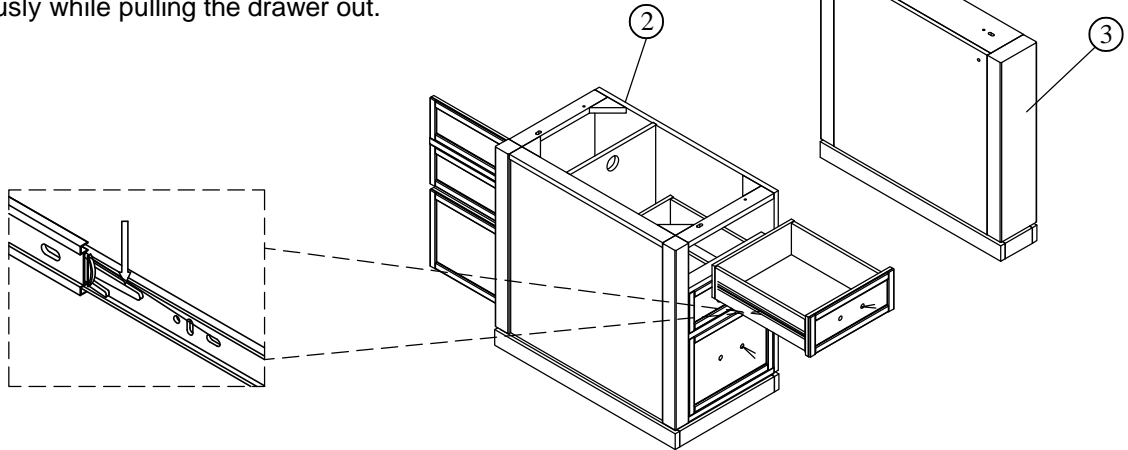
Item No: CAT#486A / CAT#486B

Description : DESK TOP / DESK PEDESTALS

Rev 2 :2021-11-11

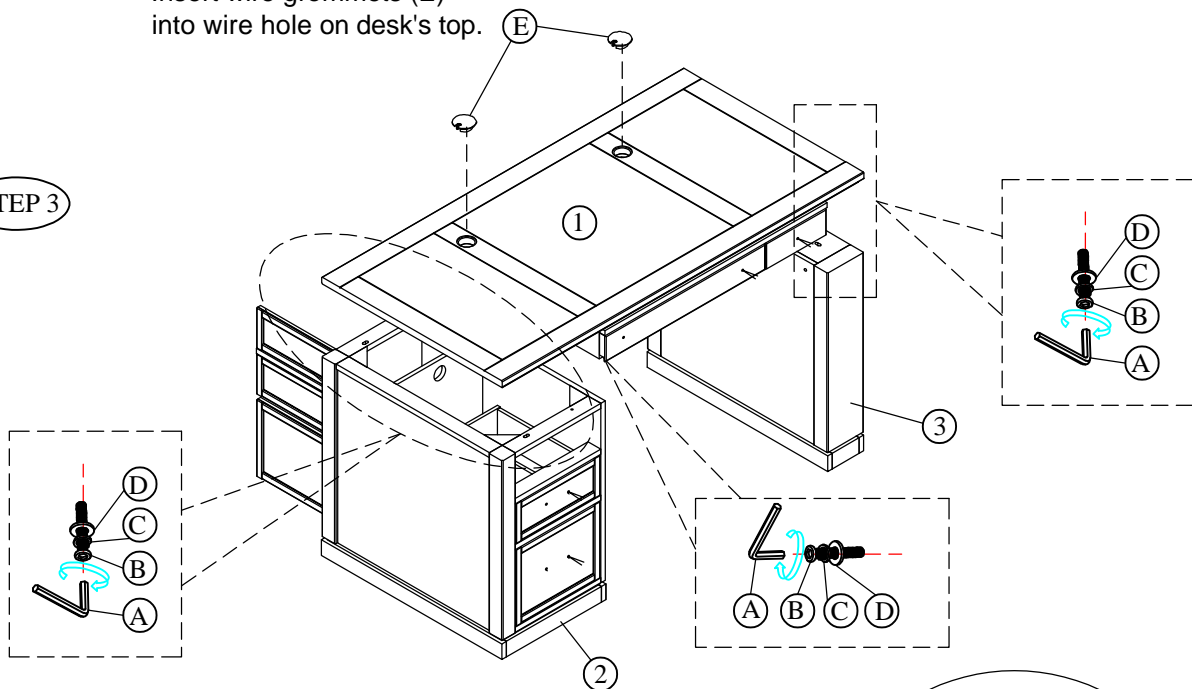
To connect the desk top, you will need to detach the top drawer of the left pedestal. To remove the drawers, press on the levers located on both sides of the drawer simultaneously while pulling the drawer out.

## STEP 2

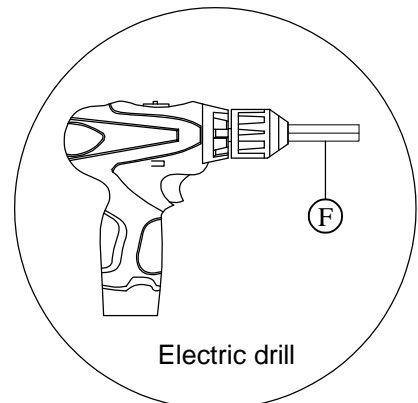


Insert wire grommets (E) into wire hole on desk's top.

## STEP 3



Place the desk top on the left and right pedestal lining up the dowels and bolt holes. once aligned, secure the top using the bolt (B), lock washers (C), and flat washers (D) as shown in the diagram.



Electric drill



Parker House  
FURNITURE

# Assembly Instruction

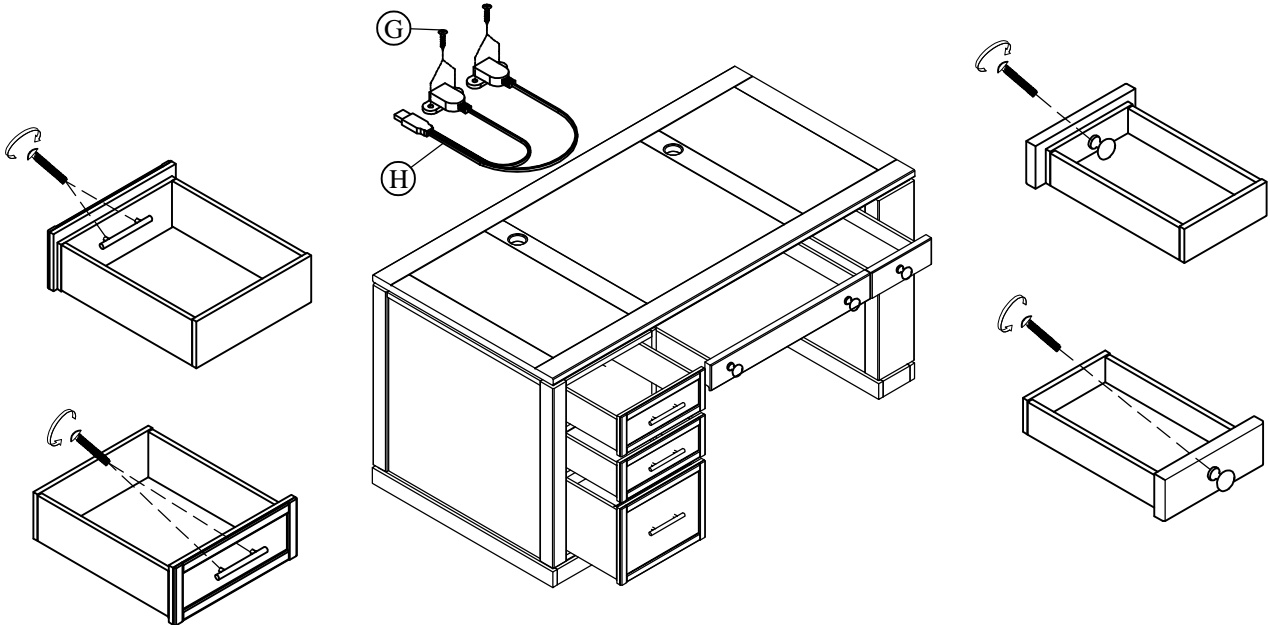
Item No: CAT#486A / CAT#486B

Description : DESK TOP / DESK PEDESTALS

Rev 2 :2021-11-11

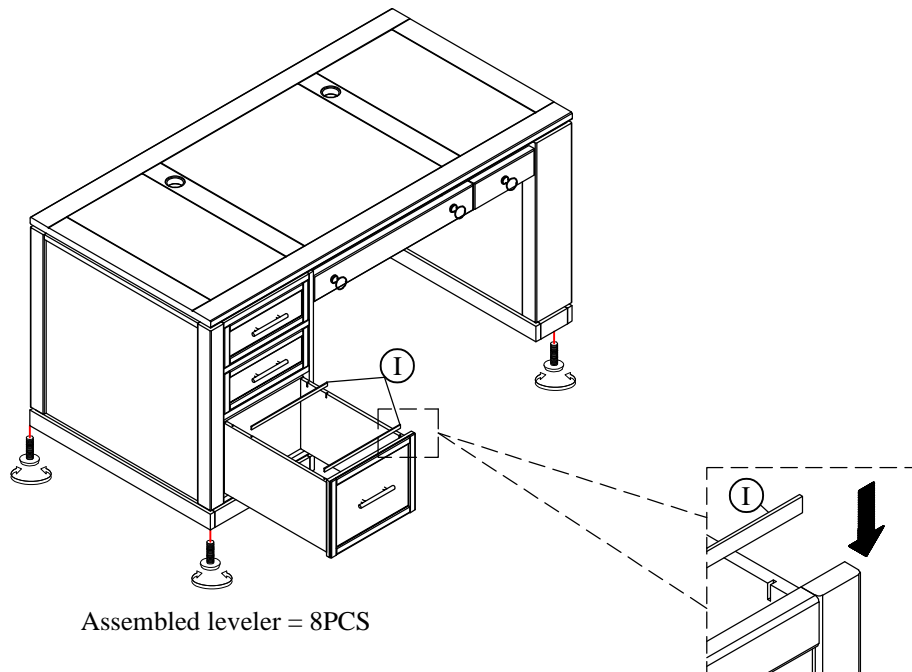
## STEP 4

Mount the 2 port USB at the desired place with screw(G).



Open the pullout drawer, take off the handle & knobs installed on the back of drawer front and reattach the handle on the front side as shown.

## STEP 5



Assembled leveler = 8PCS