



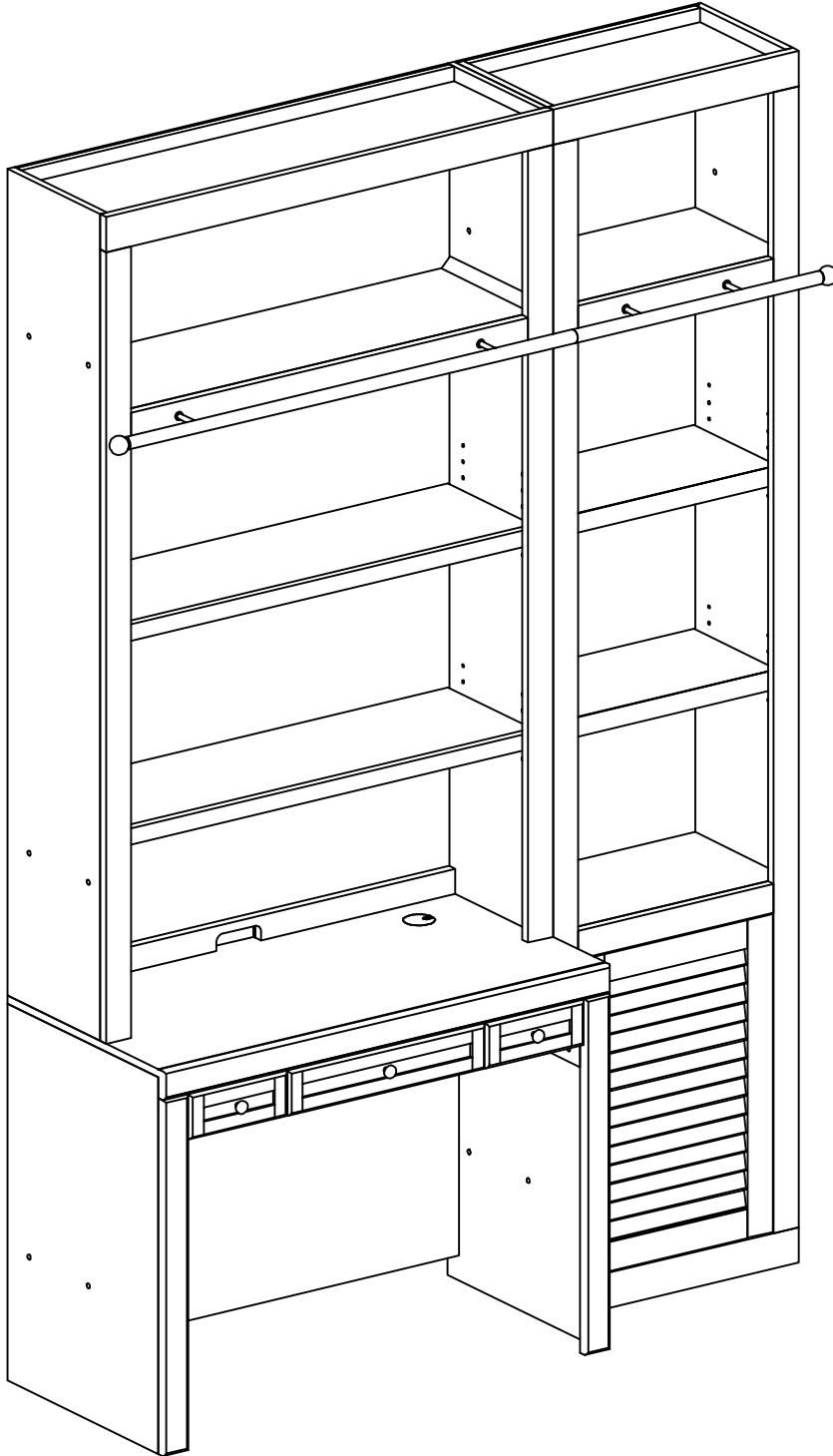
Parker House
FURNITURE

Assembly Instruction

Item No: CAT#461D

Description : 40" LIBRARY DESK

Rev 2 :2021-11-11





Parker House
FURNITURE

Assembly Instruction

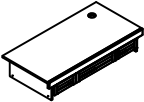
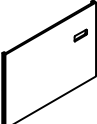


Item No: CAT#461D
Description : 40" LIBRARY DESK

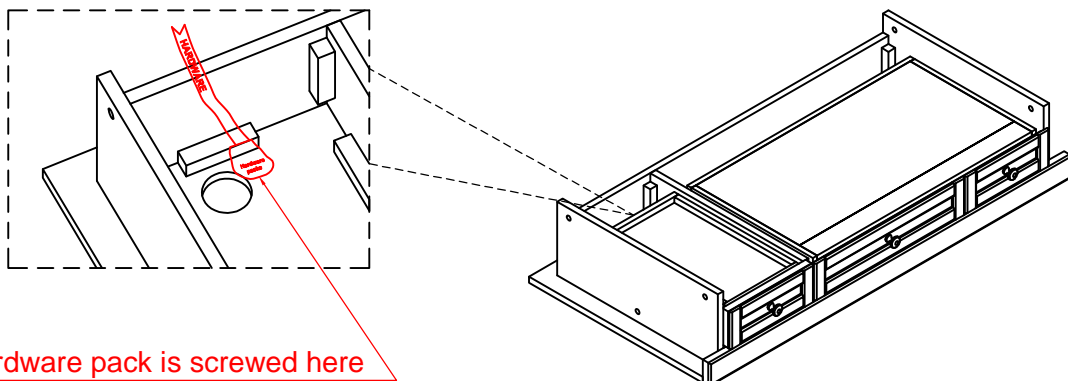
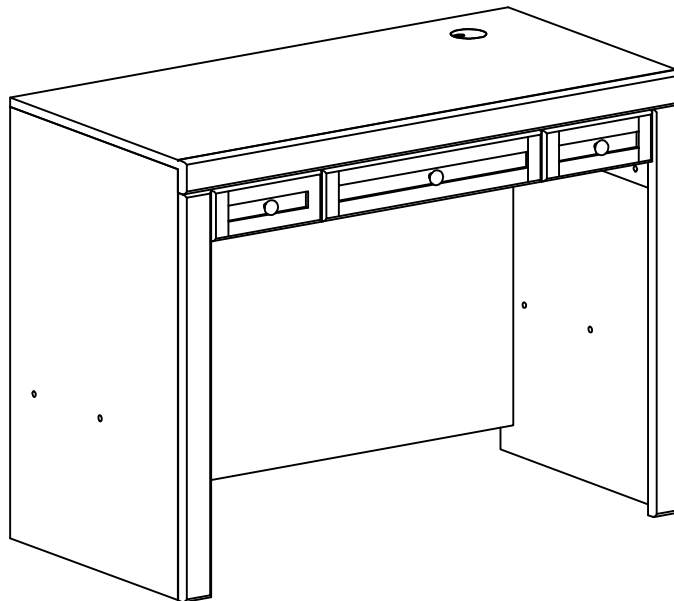
Rev 2 :2021-11-11

HARDWARE LIST

No	Description	Sketch	Q'TY
A	Allen wrench 4mm		1PC
B	Bolt Ø 1/4"x1-1/4"		12PCS
C	Lock washer Ø10mm		12PCS
D	Flat washer Ø19mm		12PCS
E	Wood washer Ø8x30mm		4PCS
F	Grommet		1PC
G	Bolt Ø 1/4" x1" Ø15mm		2PCS
H	Screw cap Ø 1/4" x5/8" Ø15mm		2PCS
I	Allen wrench 4mm		1PC

PARTS LIST

TABLE TOP (1PC)		BACK PANEL (1PC)	
①		②	
LEFT PANEL (1PC)		RIGHT PANEL (1PC)	
③		④	



Hardware pack is screwed here



Parker House
FURNITURE

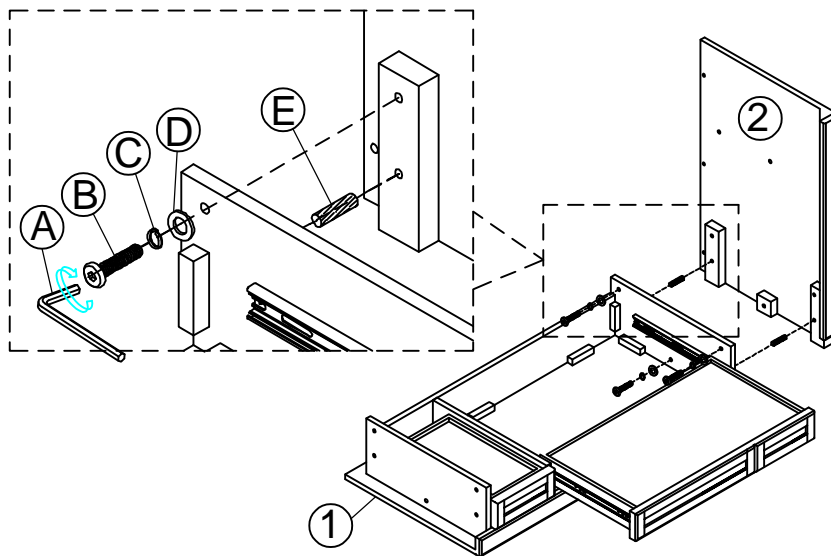
Assembly Instruction

Item No: CAT#461D

Description : 40" LIBRARY DESK

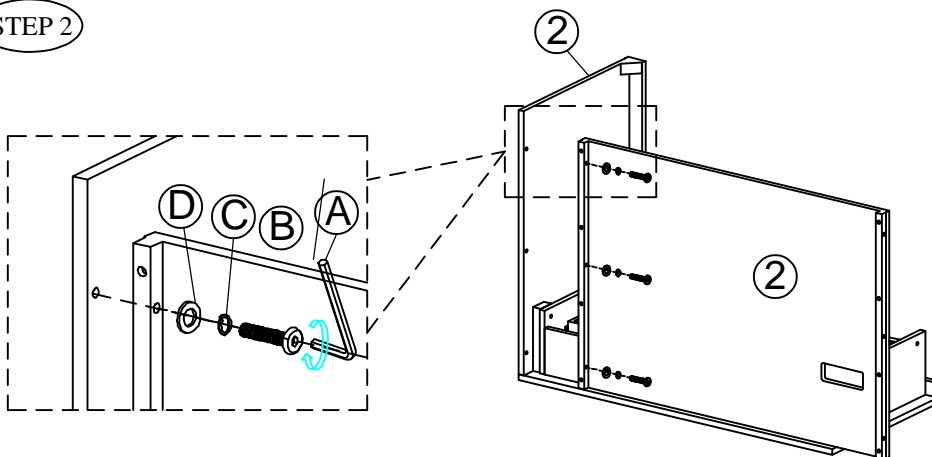
Rev 2 :2021-11-11

STEP 1



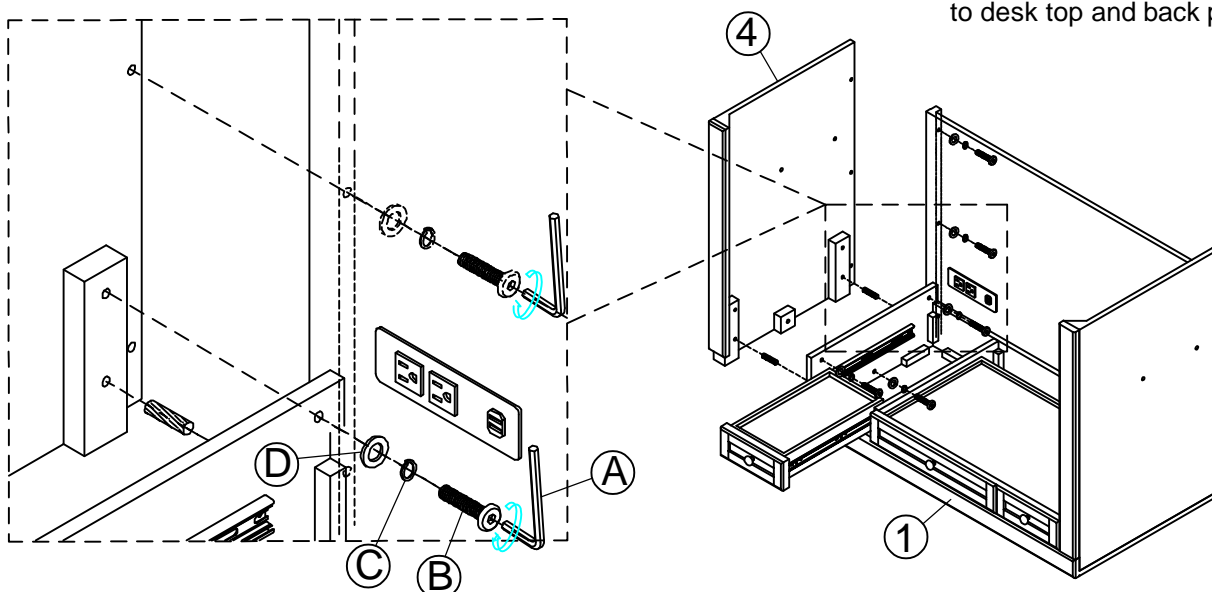
Step 1: Place desk top face down on soft surface. Attach left side panel using bolts (B), lock washers (C), & flat washers (D) securely to desk top with allen wrench (A) as shown in the illustration to the left.

STEP 2



Step 2: Connect back panel and left side panel by using bolts (B), lock washers (C), & flat washers (D) with allen wrench (A) as shown in the illustration to the left.

STEP 3



Repeat step 1 and step 2 to attach right side panel to desk top and back panel



Parker House
FURNITURE

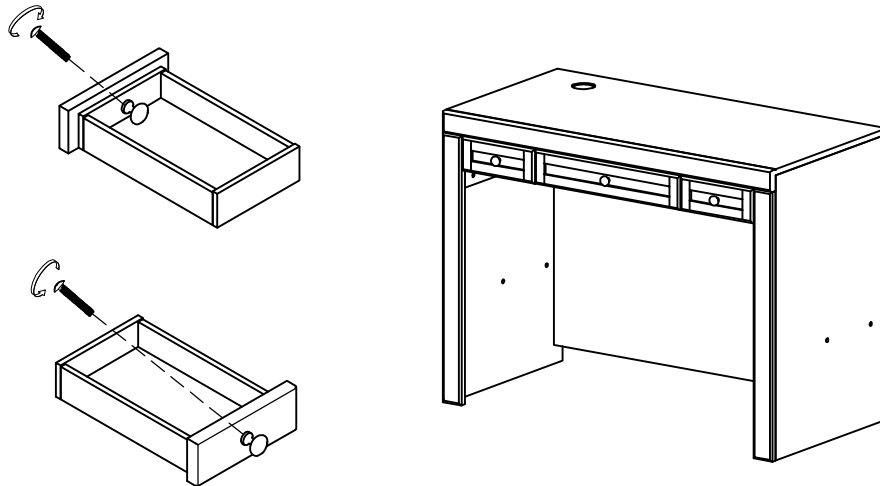
Assembly Instruction

Item No: CAT#461D

Description : 40" LIBRARY DESK

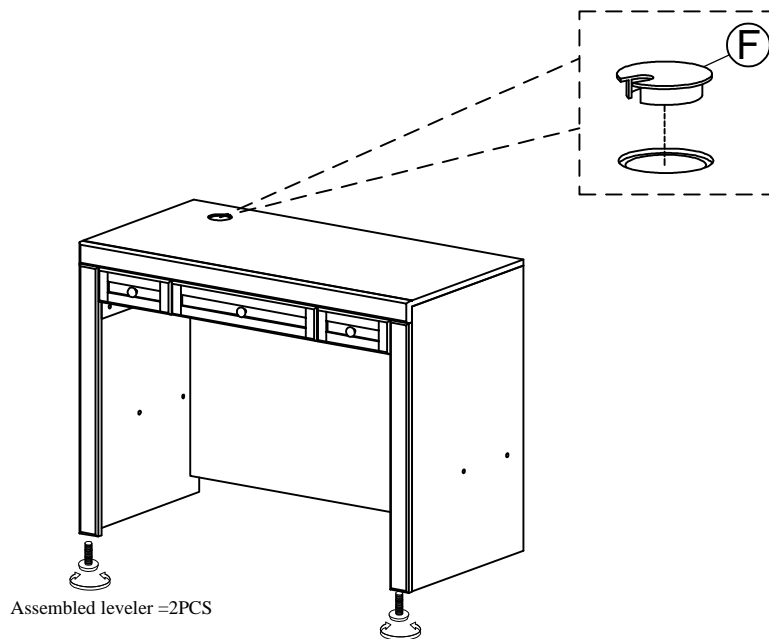
Rev 2 :2021-11-11

STEP 4



Open the pullout drawer, take off the handle & knobs installed on the back of drawer front and reattach the handle on the front side as shown.

STEP 5



Assembled leveler =2PCS

Step 5: Carefully turn the fully assembled Desk upright.
Insert Wire Grommet (F) into wire hole on desk's top.



Parker House
FURNITURE

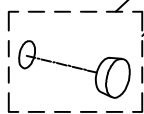
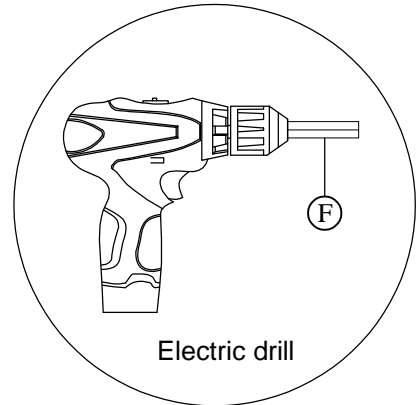
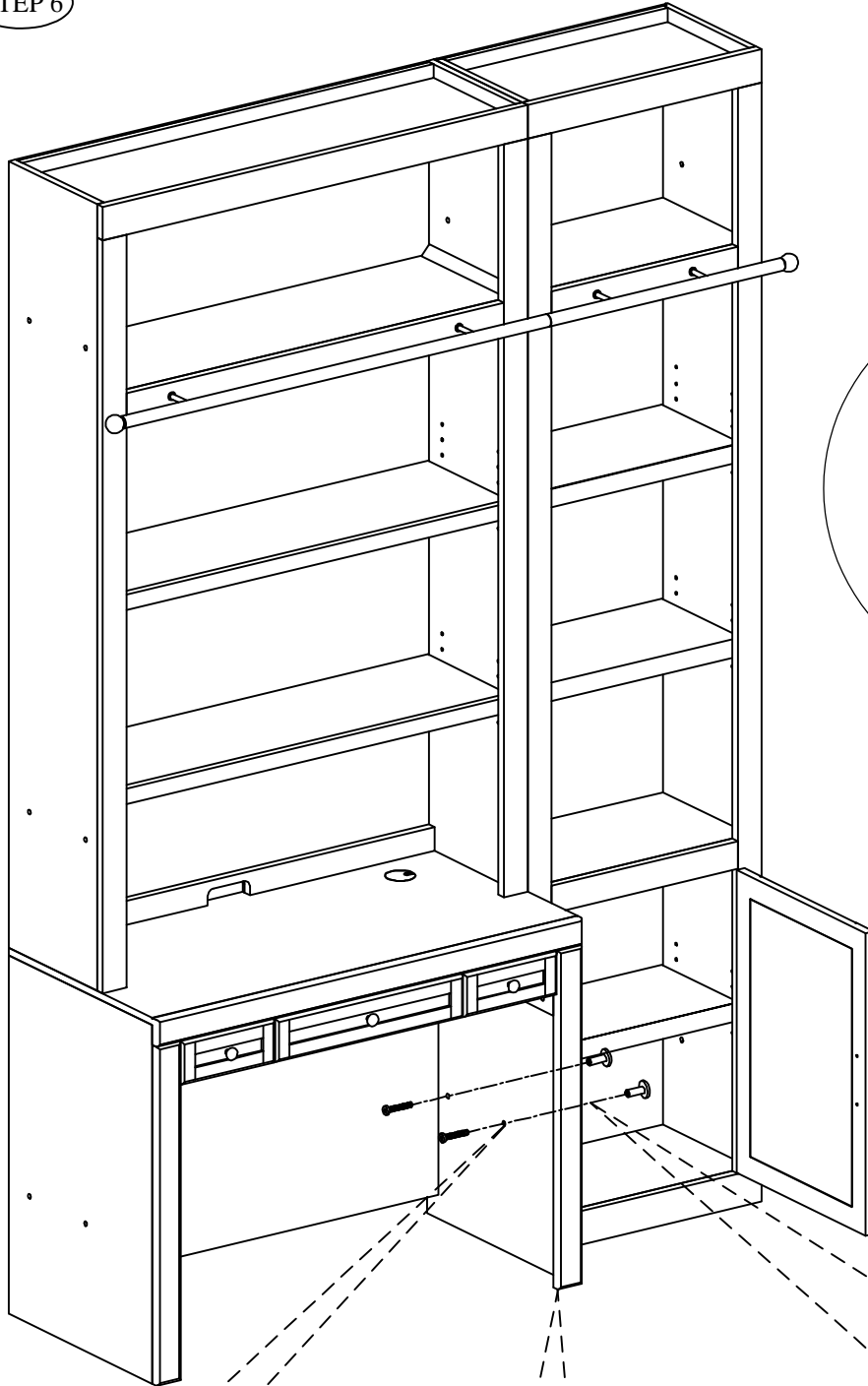
Assembly Instruction

Item No: CAT#461D

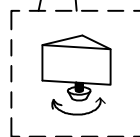
Description : 40" LIBRARY DESK

Rev 2 :2021-11-11

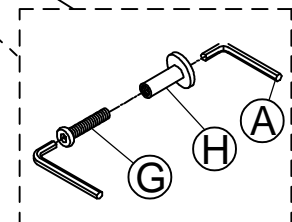
STEP 6



Remove the wood plugs
before connecting the
cabinets together.



Assembled leveler = 2PCS



Align and connect cabinets
with Connector Bolt (G) and
Connector Cap (H).