



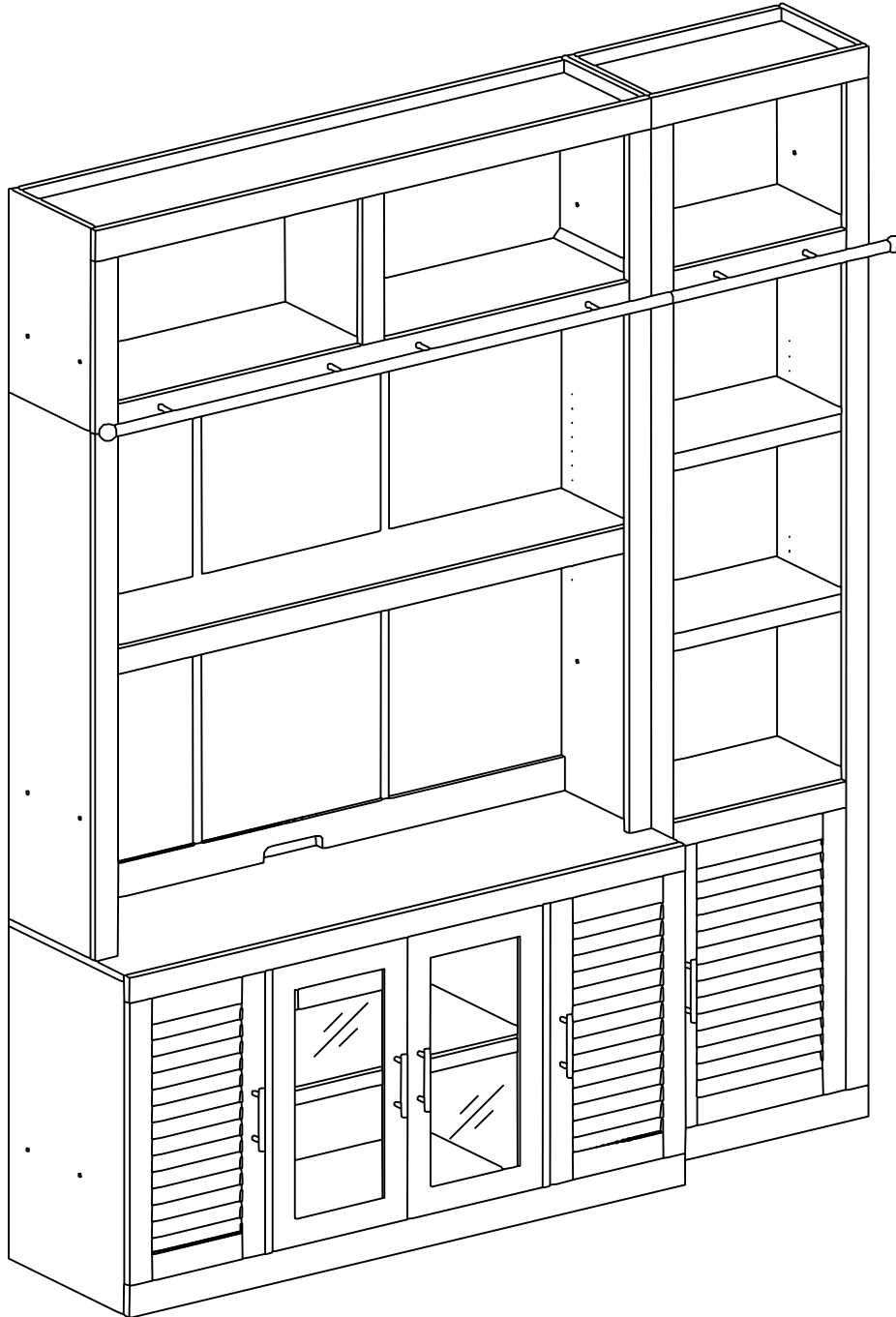
Parker House  
FURNITURE

# Assembly Instruction

Item No: CAT#405

Description : 56" BOOKCASE TV HUTCH

Rev 2 :2021-11-11





**Parker House**  
FURNITURE

# Assembly Instruction

Item No: CAT#405

Description : 56" BOOKCASE TV HUTCH

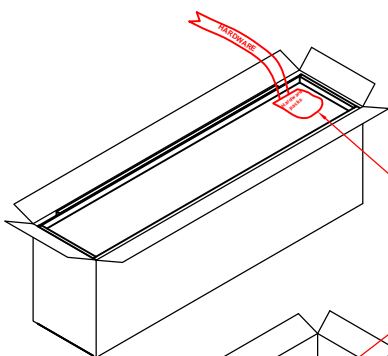
Rev 2 :2021-11-11

## HARDWARE LIST

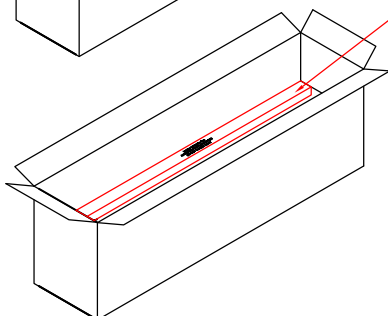
| No | Description                  | Sketch | Q'TY  |
|----|------------------------------|--------|-------|
| A  | Cam bolt Ø6x40mm             |        | 4PCS  |
| B  | Cam lock                     |        | 4PCS  |
| C  | Screw M6x15mm                |        | 18PCS |
| D  | Large shelf bracket          |        | 4PCS  |
| E  | Screw M7x15mm                |        | 18PCS |
| F  | Bolt Ø 1/4" x1" Ø15mm        |        | 6PCS  |
| G  | Screw cap Ø 1/4" x5/8" Ø15mm |        | 4PCS  |
| H  | Metal ball                   |        | 1PC   |
| I  | Sleeve                       |        | 1PC   |
| J  | Ladder rail                  |        | 1PC   |
| K  | Flat washer Ø16mm            |        | 4PCS  |
| L  | Hex nut                      |        | 4PCS  |
| M  | Lock washer                  |        | 4PCS  |
| N  | Flat washer white zinc Ø16mm |        | 4PCS  |
| O  | Allen wrench 4mm             |        | 1PC   |
| P  | Allen wrench 2.5mm           |        | 1PC   |
| Q  | Wrench                       |        | 1PC   |
| R  | Allen wrench 4mm             |        | 1PC   |

## PARTS LIST

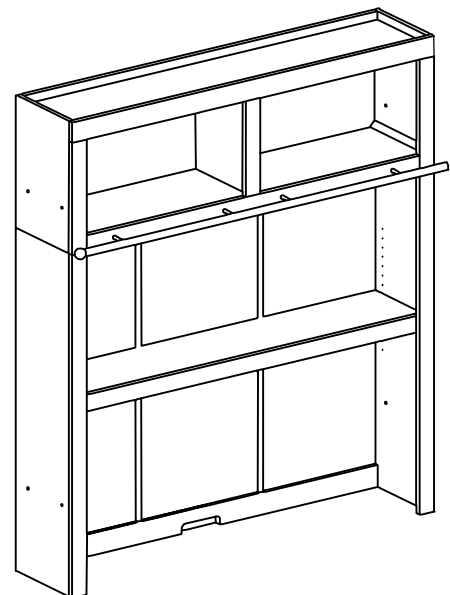
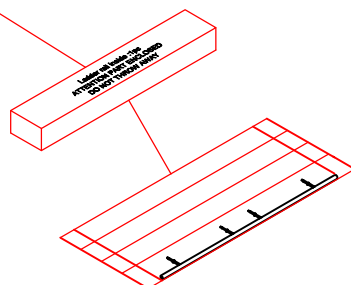
|                        |                        |
|------------------------|------------------------|
| TOP FRAME (1PC)        | TOP RAIL (1PC)         |
| ①                      | ②                      |
| BOTTOM RAIL (1PC)      | SIDE BACK PANEL (2PCS) |
| ③                      | ④                      |
| MIDDLE BACK PANEL(1PC) | LEFT PANEL(1PC)        |
| ⑤                      | ⑥                      |
| RIGHT PANEL(1PC)       | SUPPORT(1PC)           |
| ⑦                      | ⑧                      |
| SHELF (1PC)            |                        |
| ⑨                      |                        |



Hardware pack is screwed here



Ladder rail pack is here





Parker House  
FURNITURE

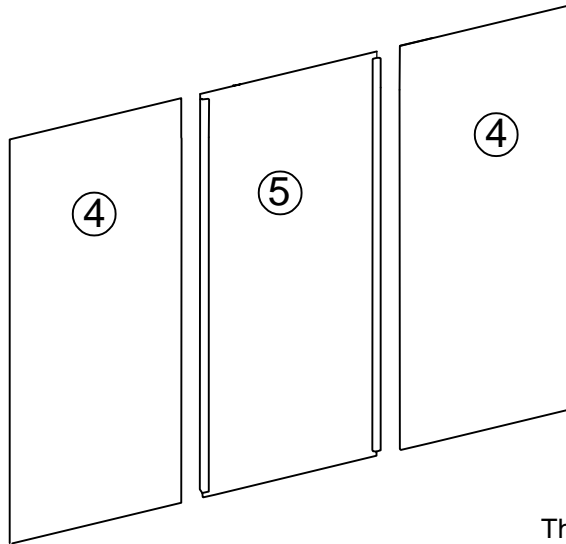
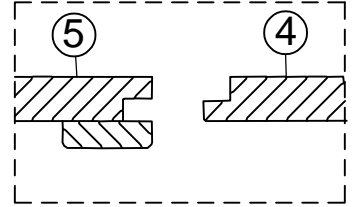
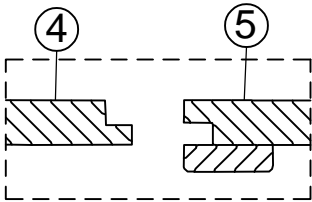
# Assembly Instruction

Item No: CAT#405

Description : 56" BOOKCASE TV HUTCH

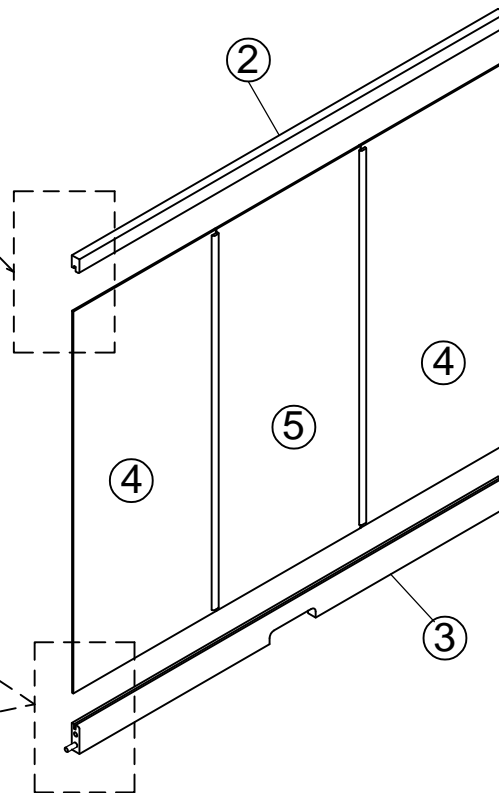
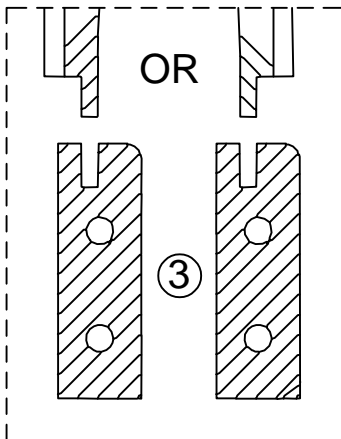
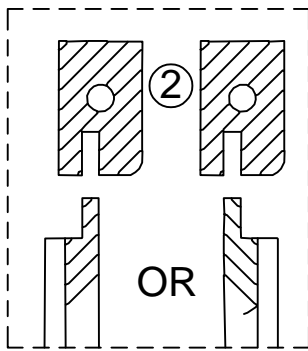
Rev 2 :2021-11-11

## STEP 1



The 3 back panels are reversible

## STEP 2





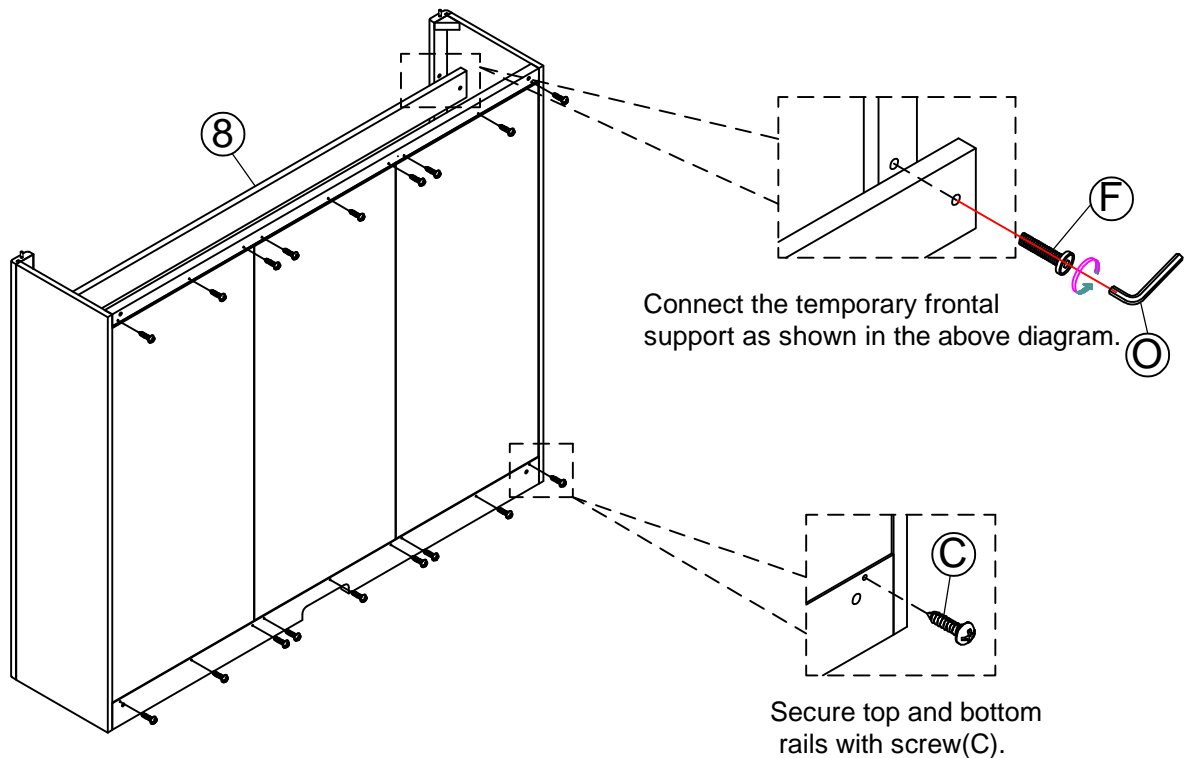
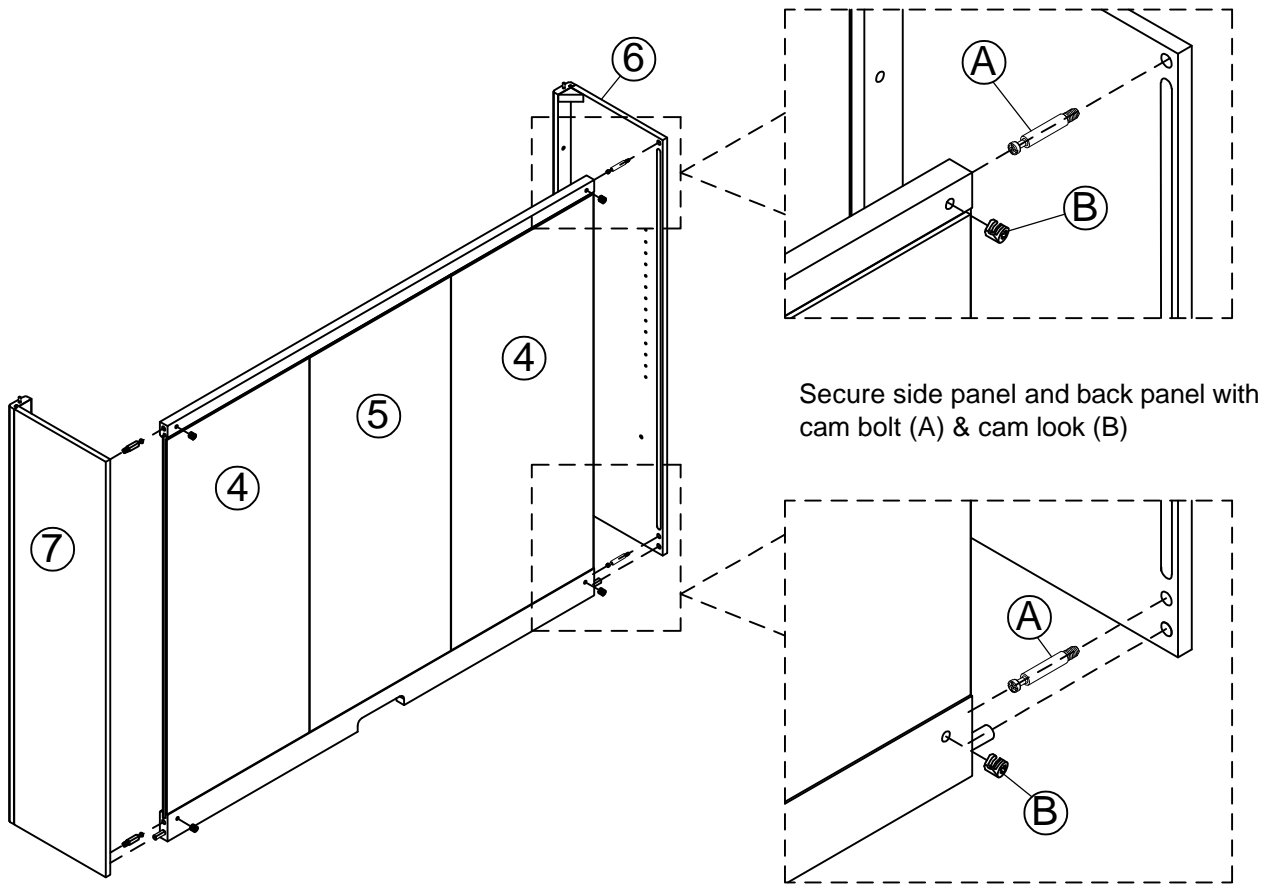
Parker House  
FURNITURE

# Assembly Instruction

Item No: CAT#405

Description : 56" BOOKCASE TV HUTCH

Rev 2 :2021-11-11





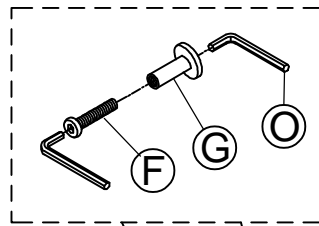
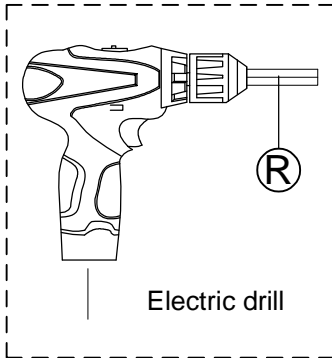
Parker House  
FURNITURE

# Assembly Instruction

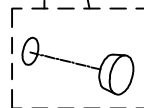
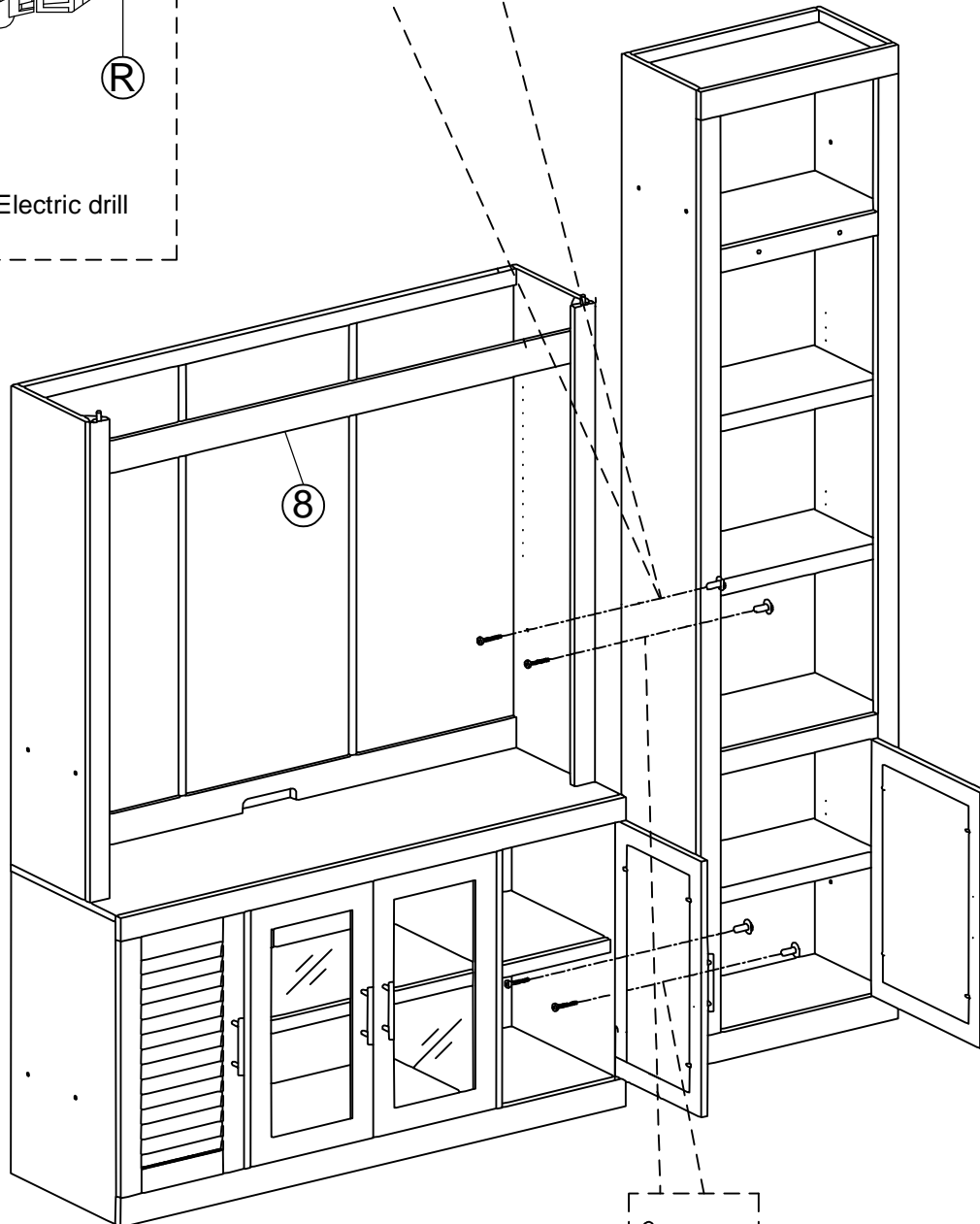
Item No: CAT#405

Description : 56" BOOKCASE TV HUTCH

Rev 2 :2021-11-11



Align and connect cabinets with Connector Bolt (F) and Connector Cap (G).



Remove the wood plugs before connecting the cabinets together.



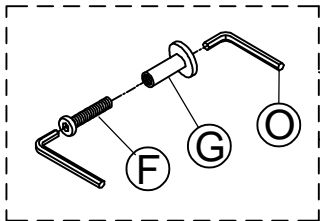
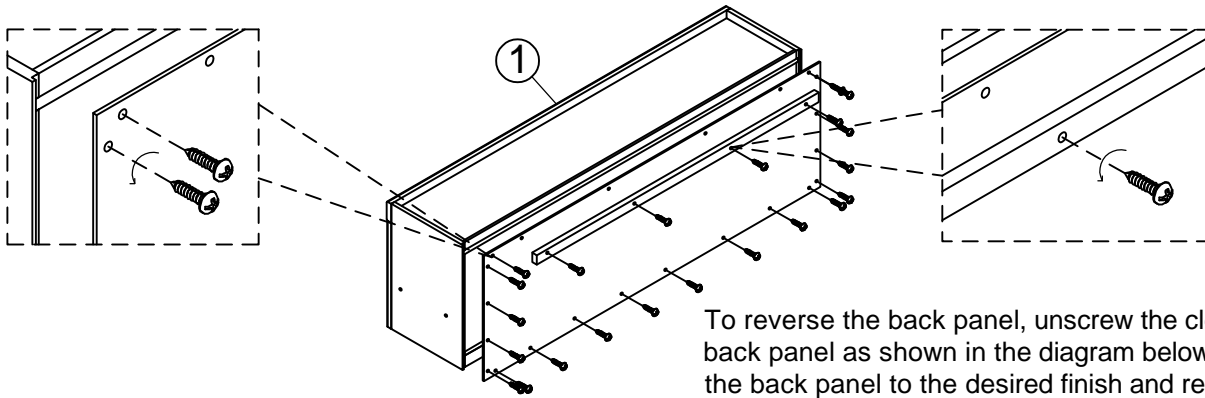
Parker House  
FURNITURE

# Assembly Instruction

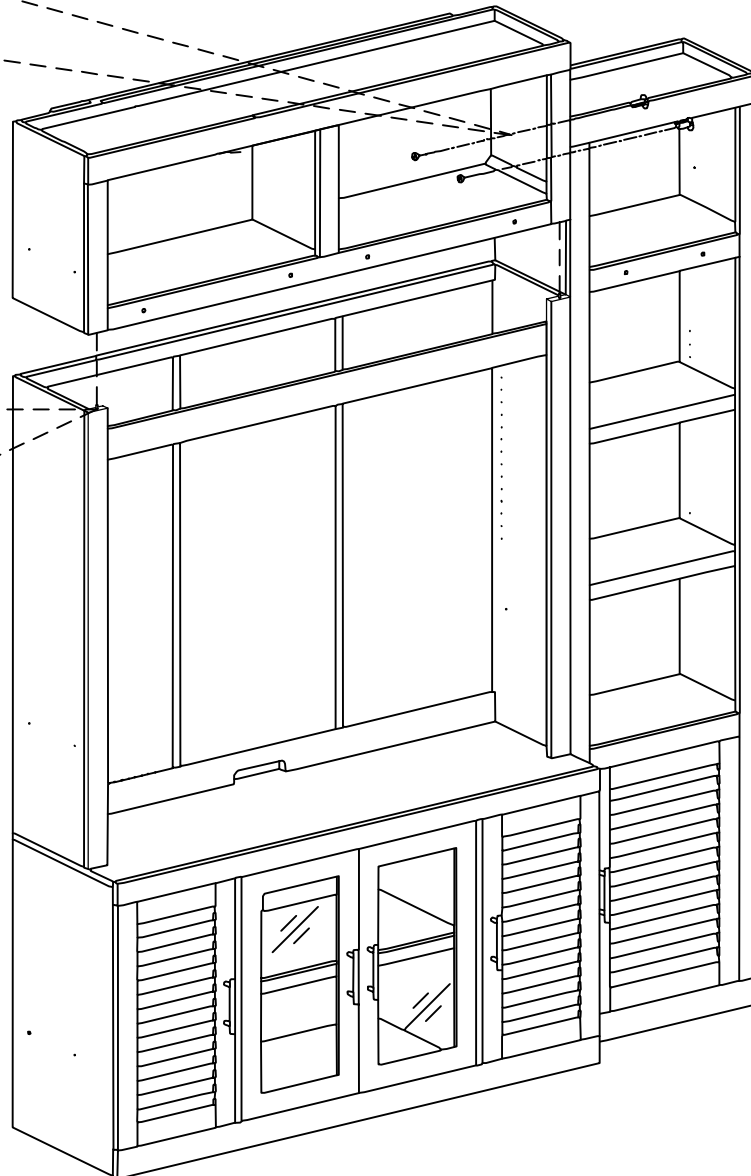
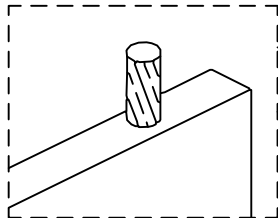
Item No: CAT#405

Description : 56" BOOKCASE TV HUTCH

Rev 2 :2021-11-11



Align and connect cabinets with Connector Bolt (F) and Connector Cap (G).





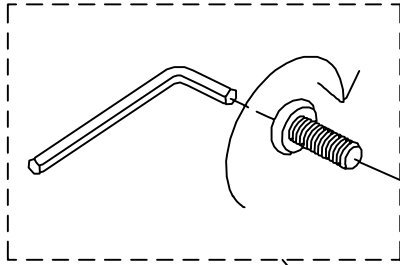
Parker House  
FURNITURE

## Assembly Instruction

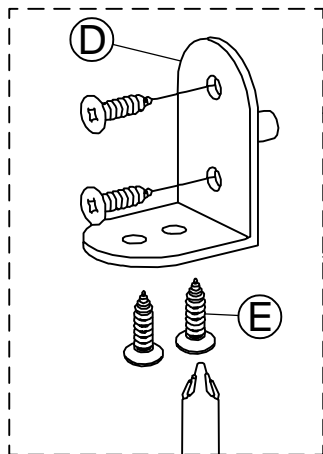
Item No: CAT#405

Description : 56" BOOKCASE TV HUTCH

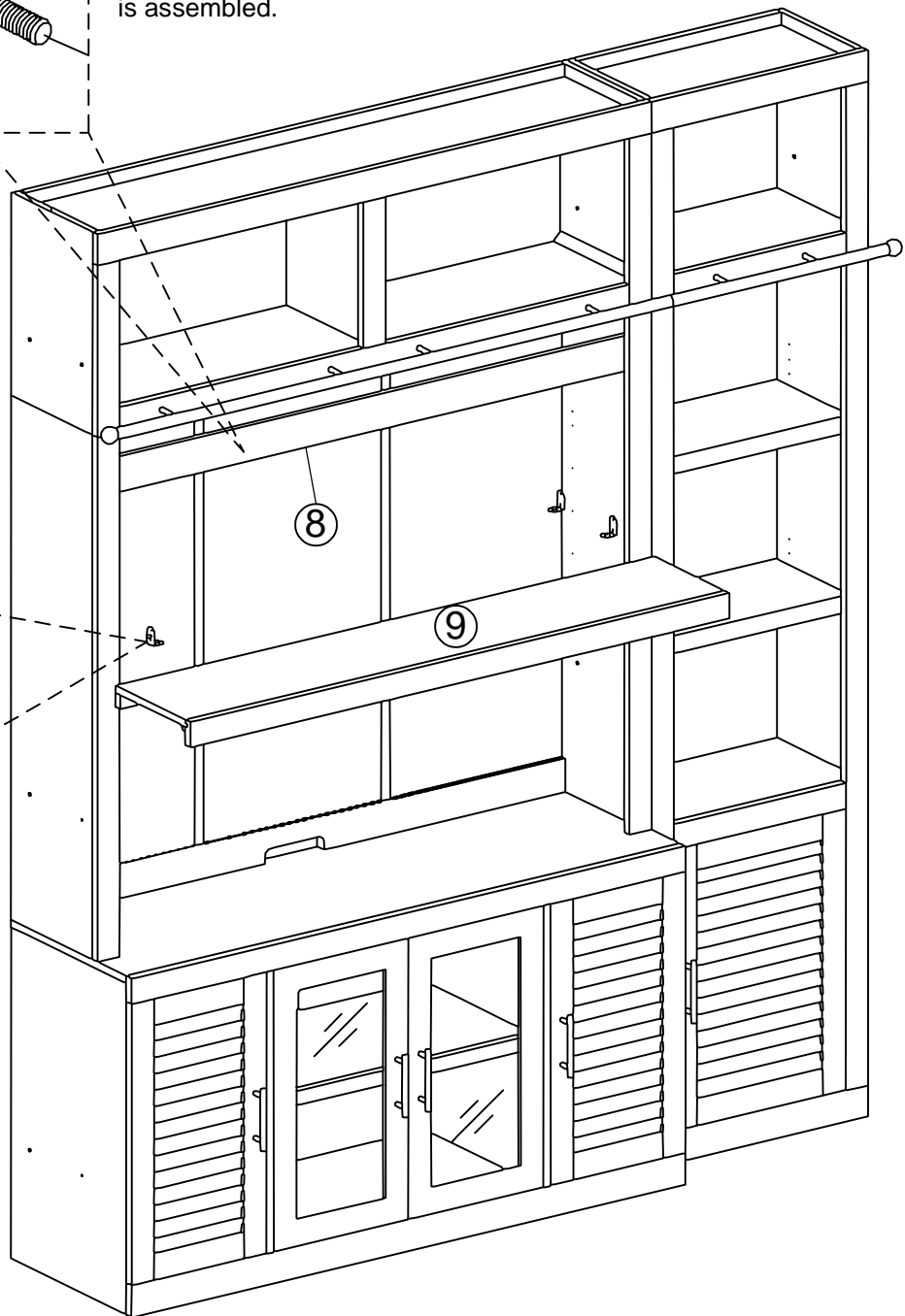
Rev 2 :2021-11-11



Remove temporary front rail(8) from Backpanel Midsection once the TV area shelf is assembled.



Install shelf pins at desired height in Backpanel Midsection & secure with screws (E) . Place adjustable shelf on shelf brackets & secure with screws (E) in TV area.





**Parker House**  
FURNITURE

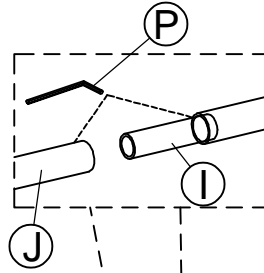
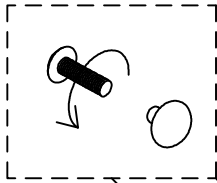
# Assembly Instruction

Item No: CAT#405

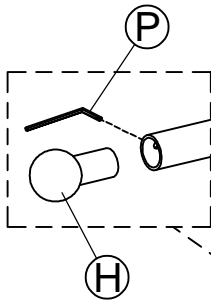
Description : 56" BOOKCASE TV HUTCH

Rev 2 :2021-11-11

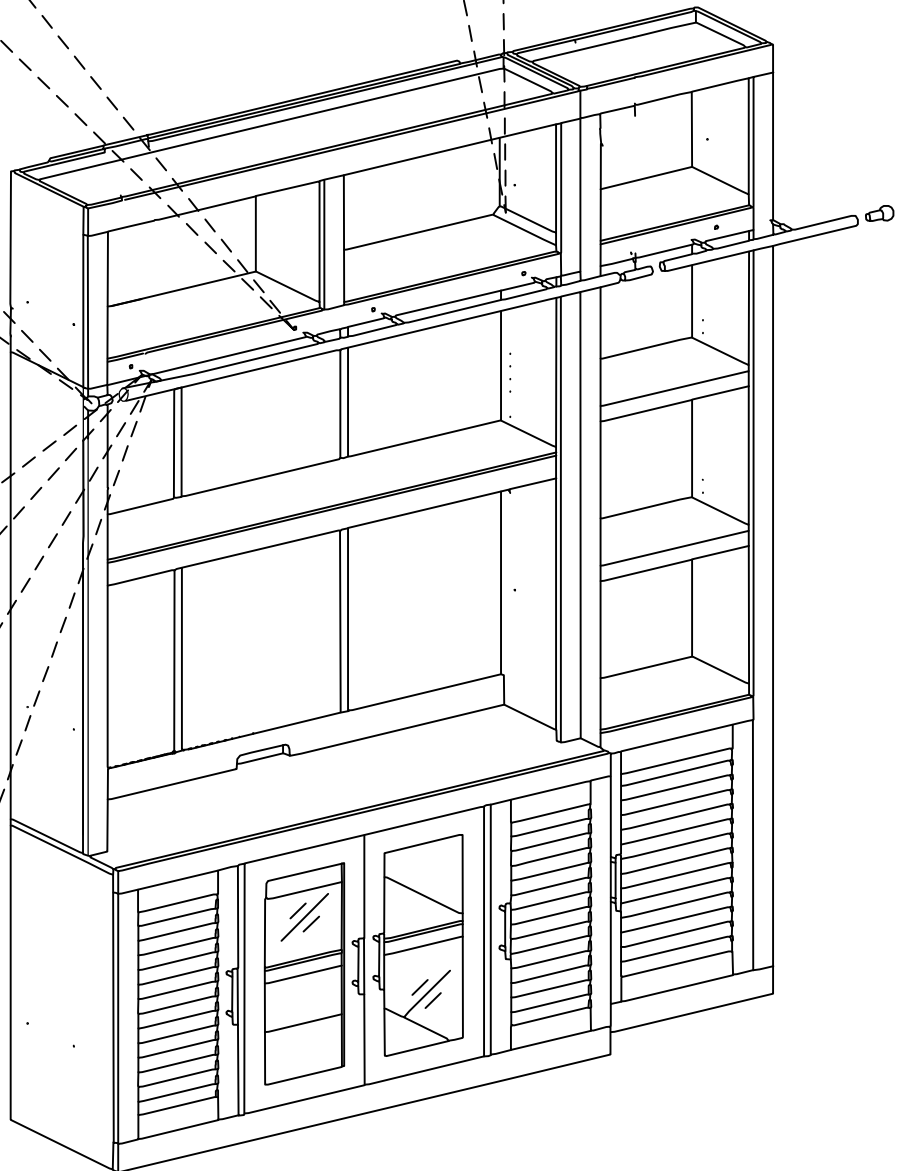
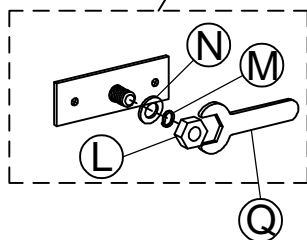
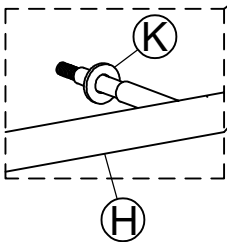
Remove the decorative cap before mounting the ladder rail.



To connect ladder rails, loosen retaining screw found on each rail end, insert ladder rail coupler (I) about 1" on one side, and tighten. Align cabinets and push together, aligning ladder rails in the process. Tighten opposite retaining screw to secure ladder rail coupler.



If setting up an end piece, use allen wrench (P) to loosen retaining screw found on each rail end, secure ladder rail finial (H) to ladder rail end to complete finished look.





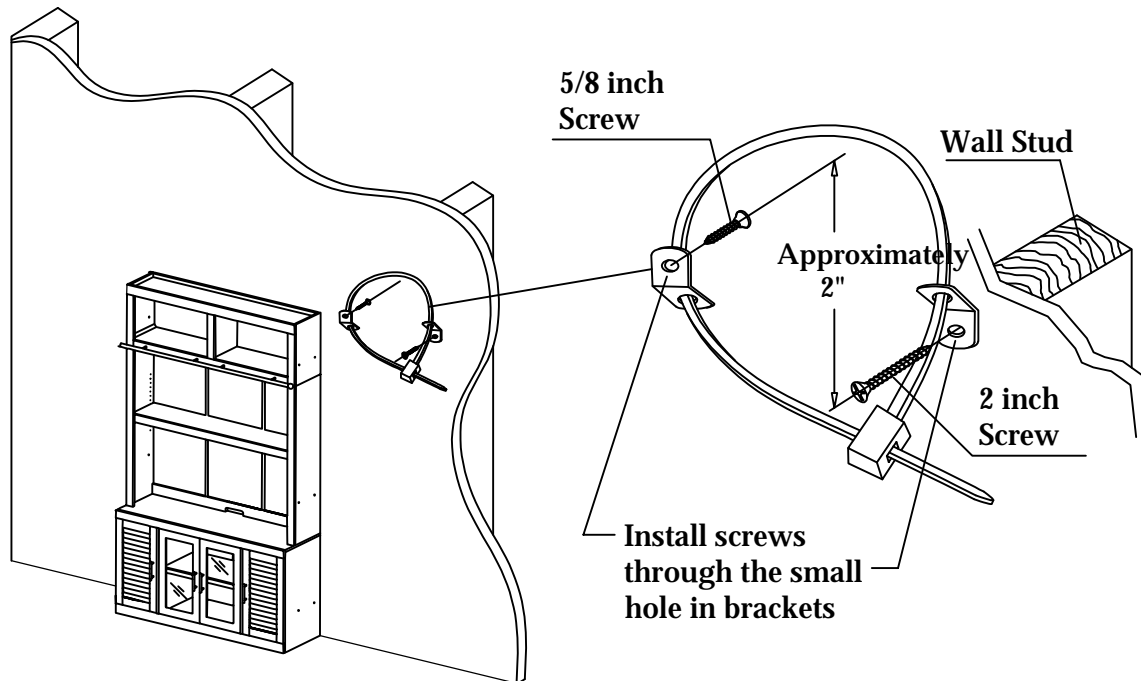


Parker House  
FURNITURE

# Anti-Tip Hardware Installation Instructions

Rev 2 :2021-11-11

**Notice:** In homes where small children may be present, Parker House recommends that steps be taken for certain furniture items to prevent or minimize the risk of tip-over. This furniture is equipped with Tip-over Restraint Hardware for use to minimize this risk, if used. Please follow below installation steps. Parker House recommends that parents and guardians periodically visit the U.S. Consumer Product Safety Commission (CPSC) website at <http://www.cpsc.gov/> and stay up to date on all issues related to children's product safety.



1. Temporarily locate the furniture to near its final location in the room next to a wall. Locate a wall stud behind your furniture and also mark the stud's location on the back of your furniture.
2. Firmly attach one bracket to the stud approximately 2" below the top of the furniture with the 2 inch long Wood Screws provided. It may be necessary to drill 3/32 dia. pilot holes for the screws.
3. Firmly attach the other bracket onto a solid, structural part on the back of the furniture using the 5/8 inch long Wood Screws. It may also be necessary to pilot bore for these screws.
4. Move the furniture into its final position, taking care to line up the wall bracket with the furniture bracket. Thread a strap through the bracket as shown in the illustration. Tighten strap until snug but do not over tighten.

**Caution:** Parker House assumes no liability for improper installation or excessive loads placed on screws, brackets or straps. Failure to detach this restraint before moving furniture may result in personal injury and property damage.

**Warning:** This tip-over restraint is not to be a substitute for proper adult supervision. Do not allow children to climb on furniture. Items left on top of the TV and furniture, such as toys, remote controls, and treats might tempt young children to climb. Push the TV as far back as possible from the front of its stand. Place electrical cords out of a child's reach, and teach children not to play with the cords.