



**Parker House**  
FURNITURE


# Assembly Instruction

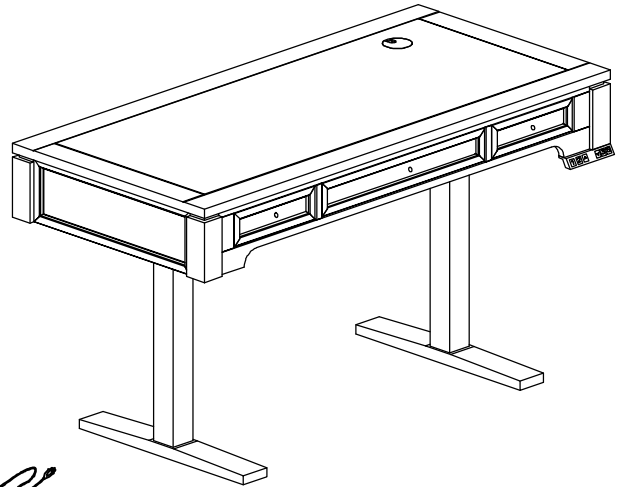
Item No: BOC-257T

Description : LIFT DESK TOP & BASE LIFT#200WHT

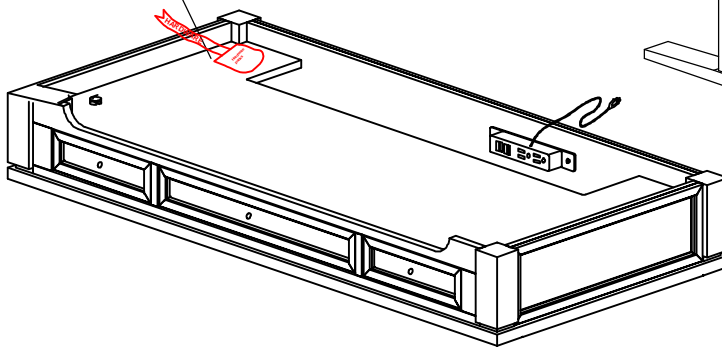
Rev 2 :2021-11-05

## HARDWARE LIST

No	Description	Sketch	Q'TY
A	Grommet		1PC



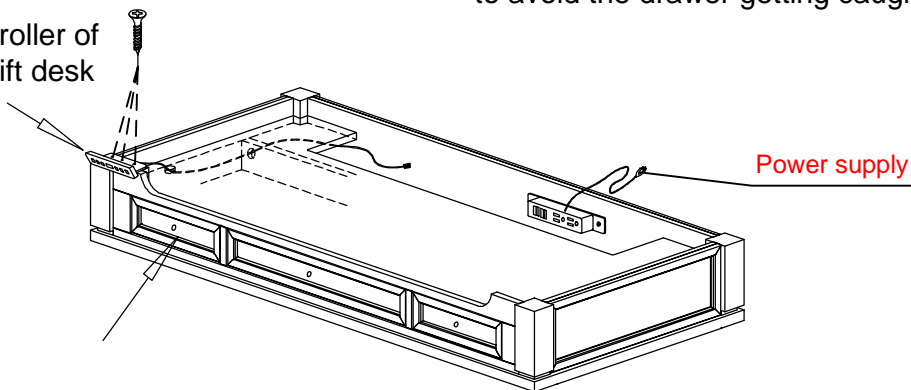
Hardware pack is here



STEP 1

The small drawer on the right side of the controller on the lift desk. Once removed, run the cable through the holes on the bottom panels and out the back. there's no diagram- **WARNING:** after installing the controller, secure all cables with clips to avoid the drawer getting caught on the wires.

Controller of the lift desk





Parker House  
FURNITURE

# Assembly Instruction

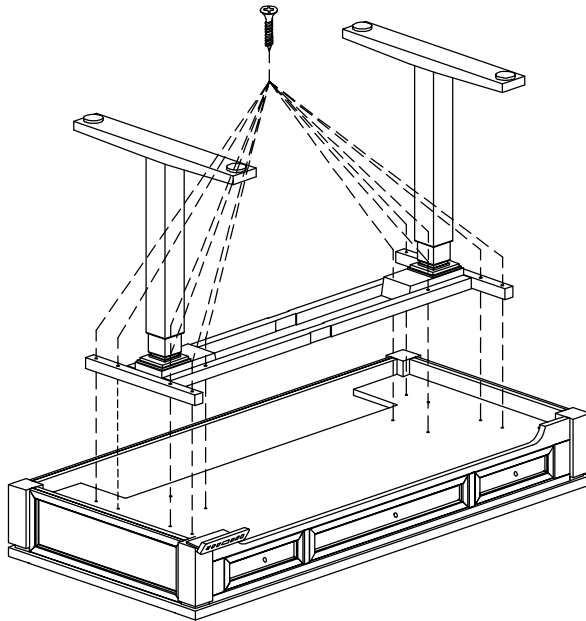
Item No: BOC-257T

Description : LIFT DESK TOP

Rev 2 :2021-11-05

Use the screws of the lifting base to attach the base to the top bottom through the predrilled holes. follow the instruction of lifting base to install all the other components and fix the cables with cable clips.

STEP 2



Place the grommet A into the hole on top and put the small drawer in place.

STEP 3

