

Headboard hardware located in velcro pouch in back of headboard.
Footboard hardware located in one end of the footboard/siderails.

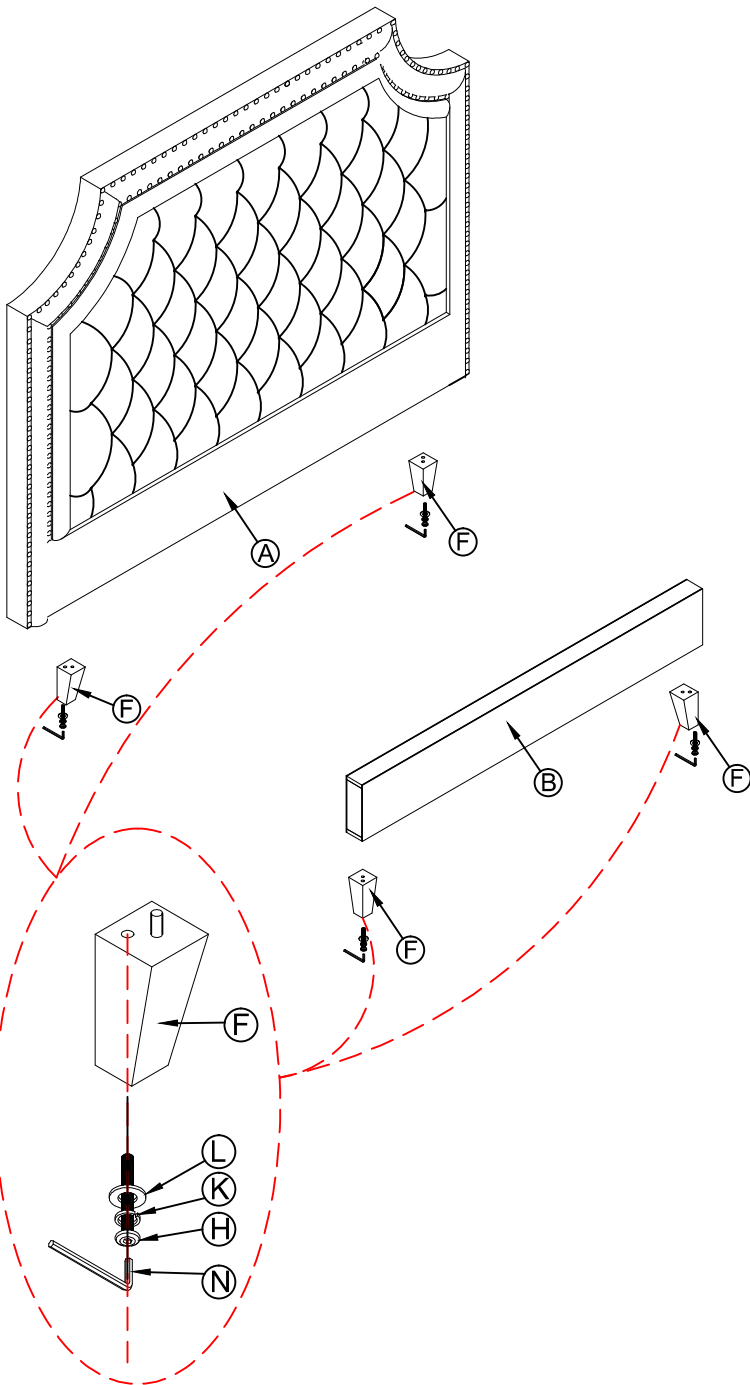
ASSEMBLY INSTRUCTIONS

Item No: BJAS#8000/BJAS#9000/BJAS#9500

DESCRIPTION: JASMINE QUEEN/KING/CAL.KING BED

Thank you for purchasing this quality product. Be sure to check all packing material carefully for small parts that may have come loose inside the carton during shipment.

Step1: Assembly HB (A) & FB (B) with leg (F)



H.	BOLT		Ø $\frac{5}{16}$ "*4"	4PCS
K.	SPRING WASHER		Ø $\frac{5}{16}$ "	4PCS
L.	FLAT WASHER		Ø $\frac{5}{16}$ "	4PCS
N.	ALLEN KEY		M4	1PC

TOOLS REQUIRED (Not provided)				
			Phillips Screwdriver	
A.	HEADBOARD			1PC
B.	FOOTBOARD			1PC
C.	SIDE RAIL			2PCS
D.	CENTER RAIL			1PC
E.	CENTER RAIL SUPPORT LEG		1.2"*1.2"*7.3"H	3PCS
EI.	SLAT SUPPORT LEG		1.2"*1.2"*8.3"H	8 PCS
F.	LEG		2.8"*2.8"*6.1"H	4 PCS
G.	SLAT			4 PCS

HB HARDWARE LIST: (2) LEG FOR HEADBOARD

No.	Description	Sketch	Size	Quantity
H.	BOLT		Ø $\frac{5}{16}$ "*4"	2PCS
I.	BOLT		Ø $\frac{5}{16}$ "*2-1/2"	4PCS
K.	SPRING WASHER		Ø $\frac{5}{16}$ "	6PCS
L.	FLAT WASHER		Ø $\frac{5}{16}$ "	10PCS
N.	ALLEN KEY		M4	1PCS
O.	NUT		Ø $\frac{5}{16}$ "	4PCS
P.	SPANNER		M12	1PC

FB HARDWARE LIST: (2) LEG FOR FOOTBOARD

No.	Description	Sketch	Size	Quantity
H.	BOLT		Ø $\frac{5}{16}$ "*4"	2PCS
J.	BOLT		Ø $\frac{5}{16}$ "*1-1/2"	15PCS
K.	SPRING WASHER		Ø $\frac{5}{16}$ "	6PCS
L.	FLAT WASHER		Ø $\frac{5}{16}$ "	17PCS
M.	SCREWS		Ø8*3/4"	4PCS
N.	ALLEN KEY		M4	1PCS
Q.	SCREWS		Ø8*1-1/2"	8PCS
R.	METAL BRACKET		50*32*30*2	2 SET

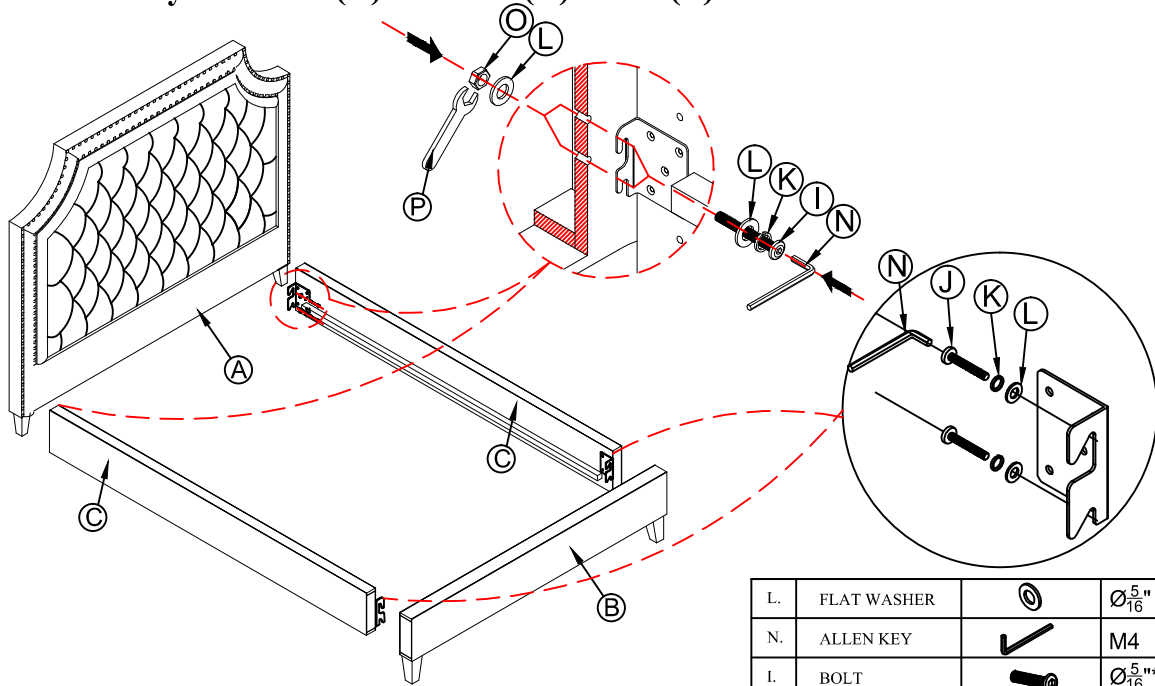
ASSEMBLY INSTRUCTIONS



Item No: BJAS#8000/BJAS#9000/BJAS#9500






DESCRIPTION: JASMINE QUEEN/KING/CAL.KING BED

Thank you for purchasing this quality product. Be sure to check all packing material carefully for small parts that may have come loose inside the carton during shipment.

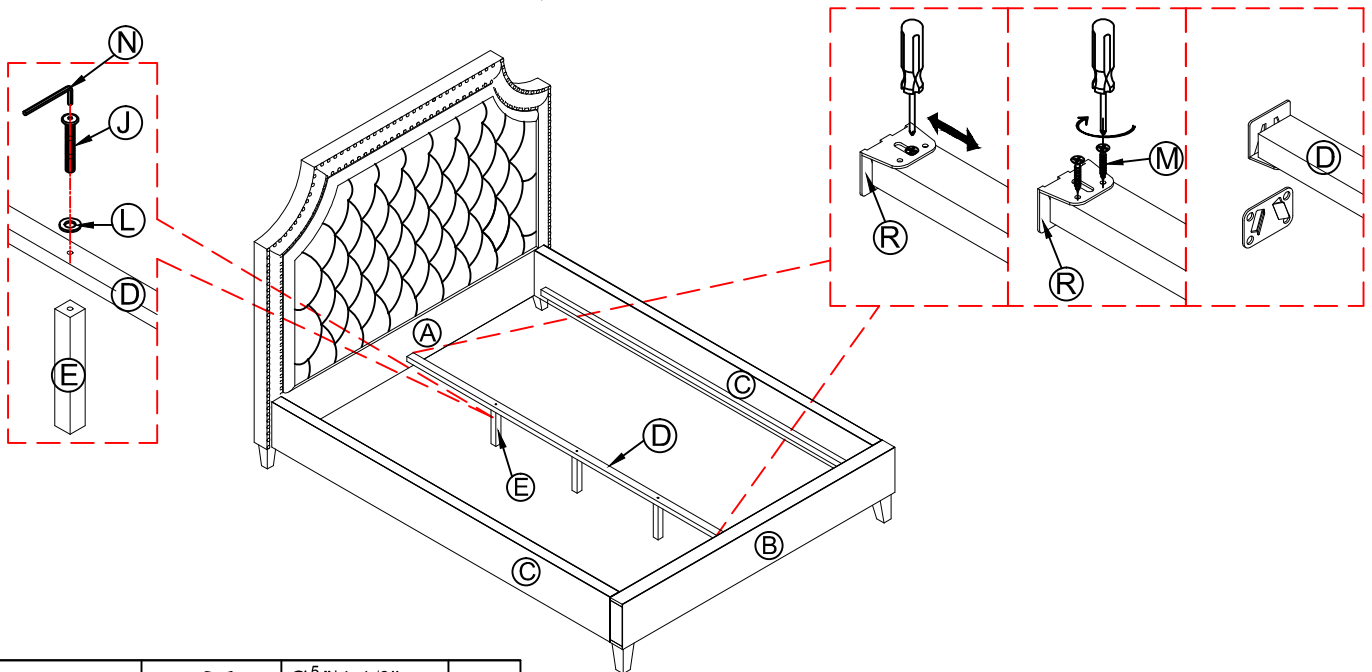
Step2: Assembly Side Rail (C) with HB (A) & FB (B)



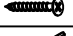



J.	BOLT		$\varnothing\frac{5}{16}$ "*1-1/2"	4PCS
K.	SPRING WASHER		$\varnothing\frac{5}{16}$ "	8PCS

L.	FLAT WASHER		$\varnothing\frac{5}{16}$ "	12PCS
N.	ALLEN KEY		M4	1PC
I.	BOLT		$\varnothing\frac{5}{16}$ "*2-1/2"	4PCS
O.	NUT		$\varnothing\frac{5}{16}$ "	4PCS
P.	SPANNER		M12	1PC

Step3: Assembly center rail (D) with HB (A) & FB (B)



J.	BOLT		$\varnothing\frac{5}{16}$ "*1-1/2"	3PCS
L.	FLAT WASHER		$\varnothing\frac{5}{16}$ "	3PCS
M.	SCREWS		$\varnothing8$ *3/4"	4PCS
N.	ALLEN KEY		M4	1PC

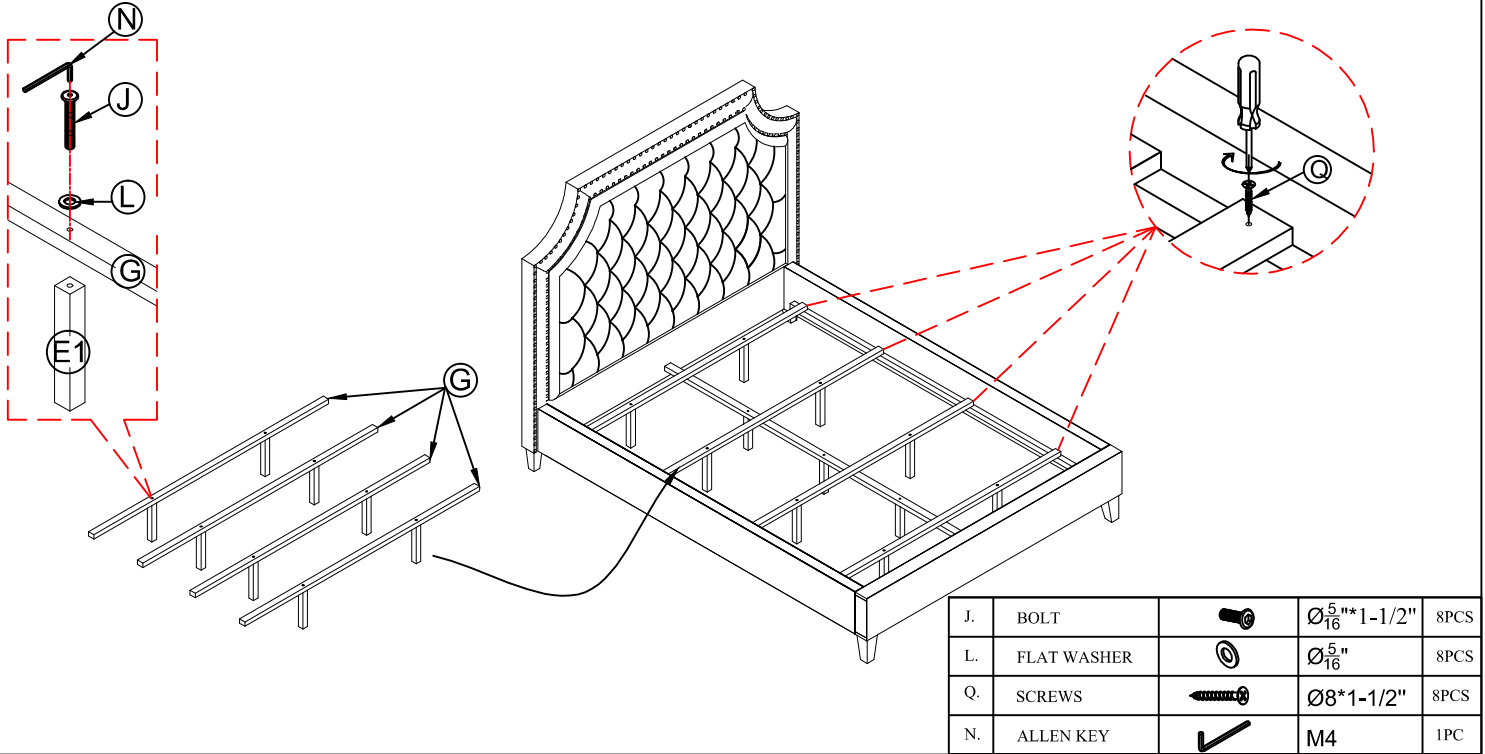
ASSEMBLY INSTRUCTIONS

Item No: BJAS#8000/BJAS#9000/BJAS#9500

DESCRIPTION: JASMINE QUEEN/KING/CAL.KING BED

Thank you for purchasing this quality product. Be sure to check all packing material carefully for small parts that may have come loose inside the carton during shipment.

Step4: Assembly Slat (G) with Side Rail (C).



Step5: Completed assembly.

