

Headboard hardware located in velcro pouch in back of headboard.
Footboard hardware located in one end of the footboard/siderails.

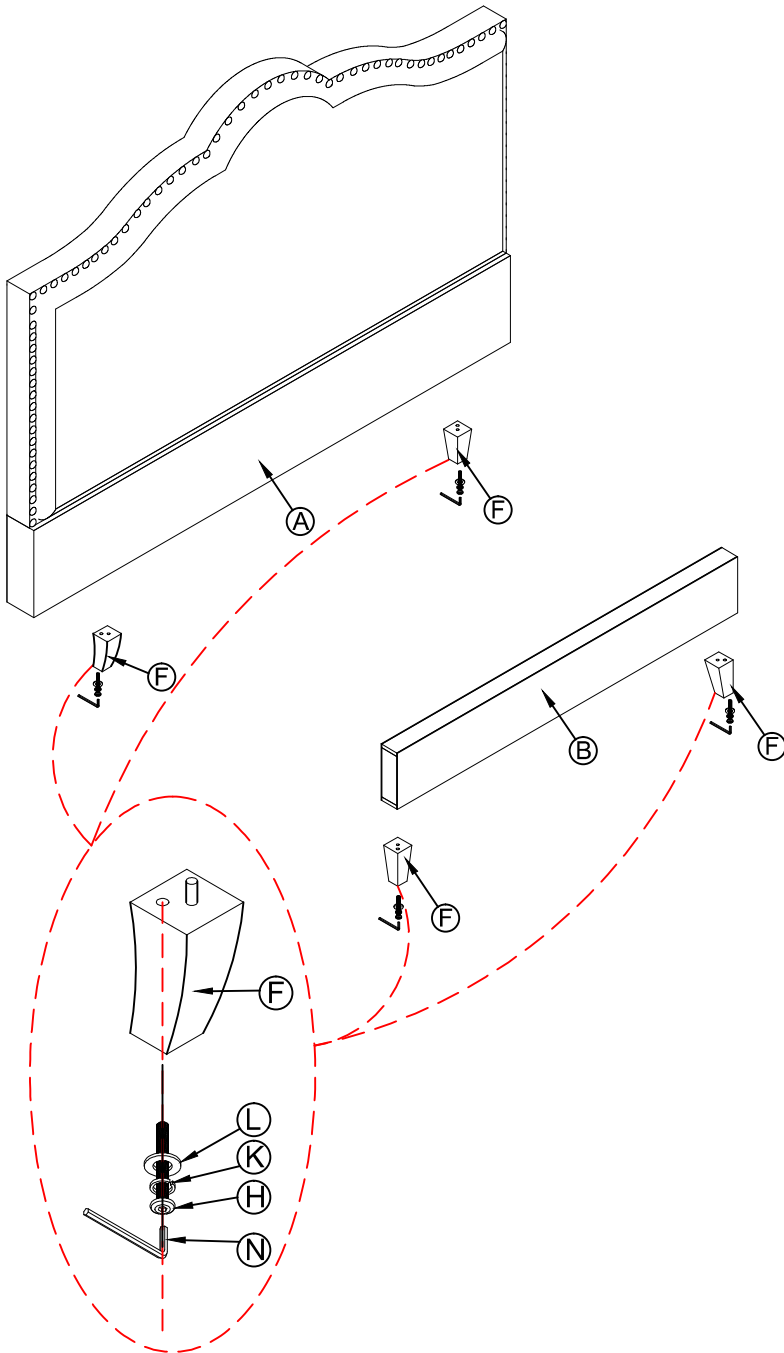
ASSEMBLY INSTRUCTIONS

Item No: BJAM#8000/BJAM#9000/BJAM#9500

DESCRIPTION: JAMIE QUEEN/KING/CAL.KING BED

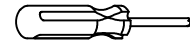
Thank you for purchasing this quality product. Be sure to check all packing material carefully for small parts that may have come loose inside the carton during shipment.

Step1: Assembly HB (A) & FB (B) with leg (F)



H.	BOLT		Ø $\frac{5}{16}$ "*4"	4PCS
K.	SPRING WASHER		Ø $\frac{5}{16}$ "	4PCS
L.	FLAT WASHER		Ø $\frac{5}{16}$ "	4PCS
N.	ALLEN KEY		M4	1PC

TOOLS REQUIRED (Not provided)



Phillips Screwdriver

A.	HEADBOARD		1PC
B.	FOOTBOARD		1PC
C.	SIDE RAIL		2PCS
D.	CENTER RAIL		1PC
E.	CENTER RAIL SUPPORT LEG	1.2"*1.2"*7.3"H	3PCS
EI.	SLAT SUPPORT LEG	1.2"*1.2"*8.3"H	8 PCS
F.	LEG	2.8"*2.8"*6.1"H	4 PCS
G.	SLAT		4 PCS

HB HARDWARE LIST: (2) LEG FOR HEADBOARD

No.	Description	Sketch	Size	Quantity
H.	BOLT		Ø $\frac{5}{16}$ "*4"	2PCS
I.	BOLT		Ø $\frac{5}{16}$ "*2-1/2"	4PCS
K.	SPRING WASHER		Ø $\frac{5}{16}$ "	6PCS
L.	FLAT WASHER		Ø $\frac{5}{16}$ "	10PCS
N.	ALLEN KEY		M4	1PCS
O.	NUT		Ø $\frac{5}{16}$ "	4PCS
P.	SPANNER		M12	1PC

FB HARDWARE LIST: (2) LEG FOR FOOTBOARD

No.	Description	Sketch	Size	Quantity
H.	BOLT		Ø $\frac{5}{16}$ "*4"	2PCS
J.	BOLT		Ø $\frac{5}{16}$ "*1-1/2"	15PCS
K.	SPRING WASHER		Ø $\frac{5}{16}$ "	6PCS
L.	FLAT WASHER		Ø $\frac{5}{16}$ "	17PCS
M.	SCREWS		Ø8*3/4"	4PCS
N.	ALLEN KEY		M4	1PCS
Q.	SCREWS		Ø8*1-1/2"	8PCS
R.	METAL BRACKET		50*32*30*2	2 SET

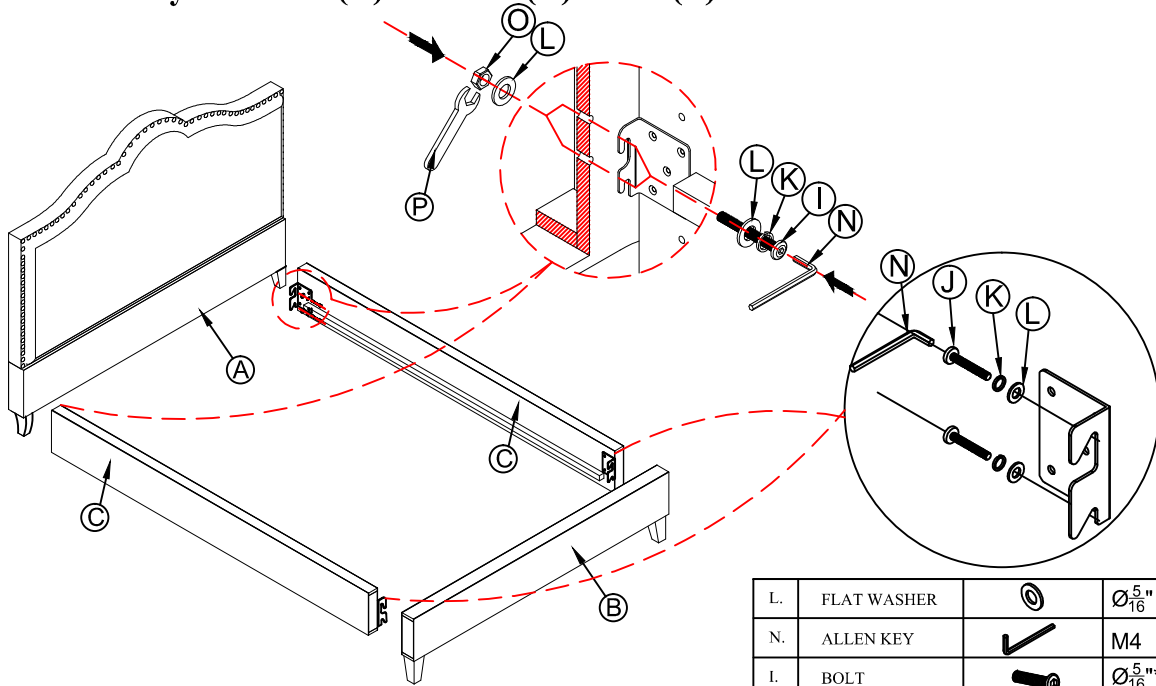
ASSEMBLY INSTRUCTIONS



Item No: BJAM#8000/BJAM#9000/BJAM#9500






DESCRIPTION: JAMIE QUEEN/KING/CAL.KING BED

Thank you for purchasing this quality product. Be sure to check all packing material carefully for small parts that may have come loose inside the carton during shipment.

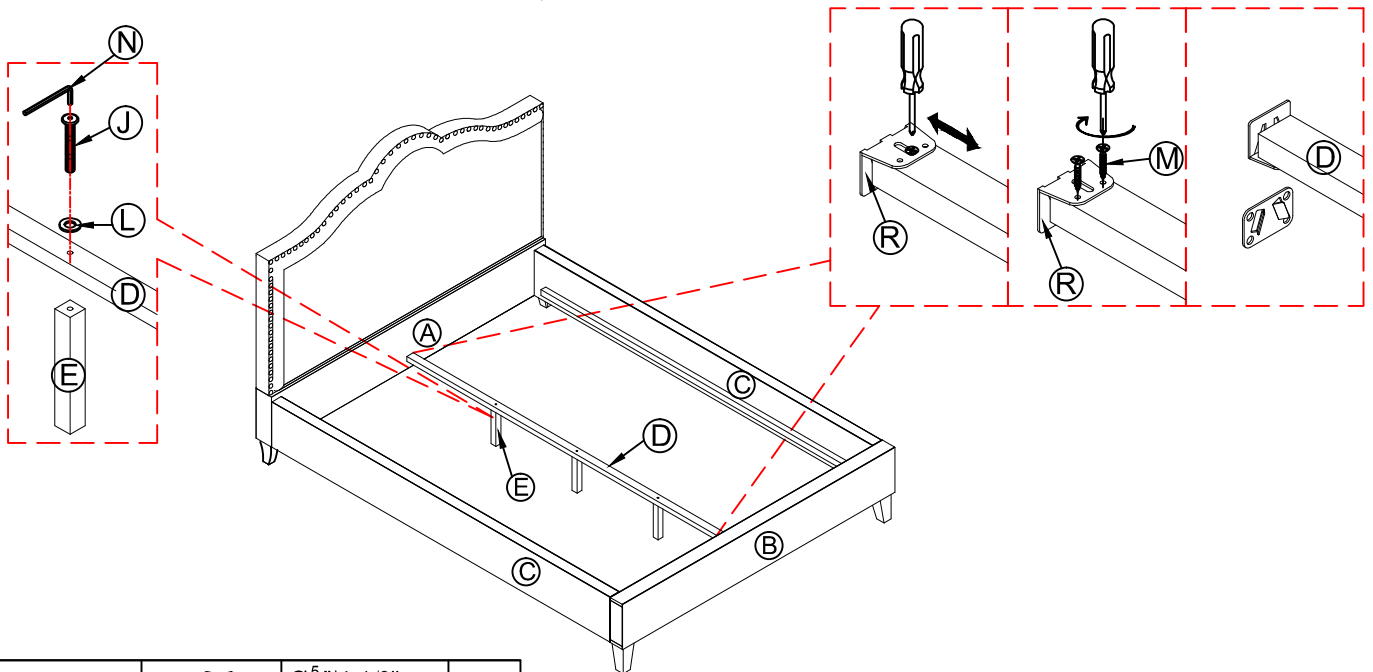
Step2: Assembly Side Rail (C) with HB (A) & FB (B)



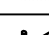



J.	BOLT		$\varnothing\frac{5}{16}$ "*1-1/2"	4PCS
K.	SPRING WASHER		$\varnothing\frac{5}{16}$ "	8PCS

L.	FLAT WASHER		$\varnothing\frac{5}{16}$ "	12PCS
N.	ALLEN KEY		M4	1PC
I.	BOLT		$\varnothing\frac{5}{16}$ "*2-1/2"	4PCS
O.	NUT		$\varnothing\frac{5}{16}$ "	4PCS
P.	SPANNER		M12	1PC

Step3: Assembly center rail (D) with HB (A) & FB (B)



J.	BOLT		$\varnothing\frac{5}{16}$ "*1-1/2"	3PCS
L.	FLAT WASHER		$\varnothing\frac{5}{16}$ "	3PCS
M.	SCREWS		$\varnothing 8$ *3/4"	4PCS
N.	ALLEN KEY		M4	1PC

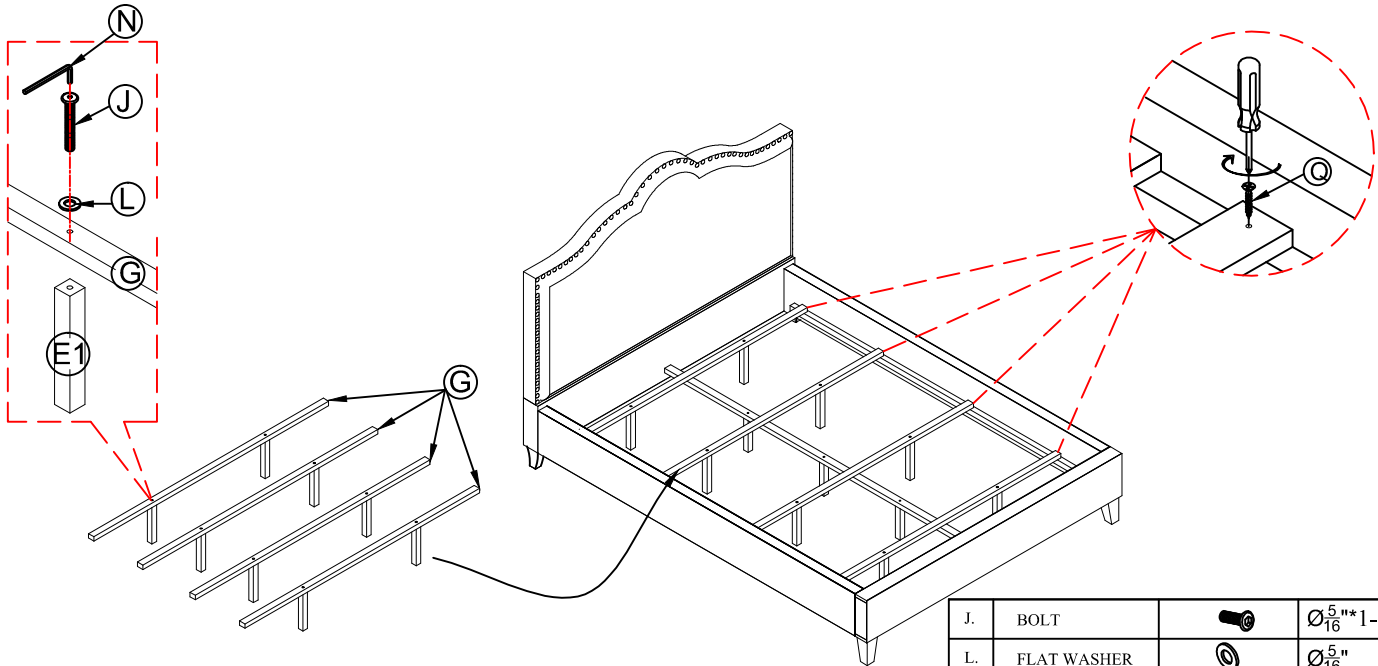
ASSEMBLY INSTRUCTIONS





Item No: BJAM#8000/BJAM#9000/BJAM#9500

DESCRIPTION: JAMIE QUEEN/KING/CAL.KING BED

Thank you for purchasing this quality product. Be sure to check all packing material carefully for small parts that may have come loose inside the carton during shipment.

Step4: Assembly Slat (G) with Side Rail (C).



J.	BOLT		$\text{Ø}\frac{5}{16} \times 1\text{-}1/2\text{'}$	8PCS
L.	FLAT WASHER		$\text{Ø}\frac{5}{16}\text{'}$	8PCS
Q.	SCREWS		$\text{Ø}8 \times 1\text{-}1/2\text{'}$	8PCS
N.	ALLEN KEY		M4	1PC

Step5: Completed assembly.

