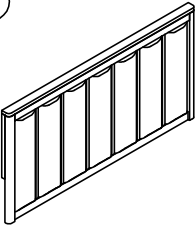
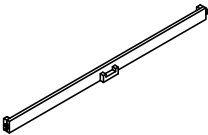





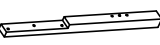
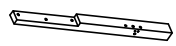




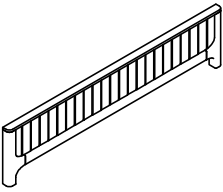
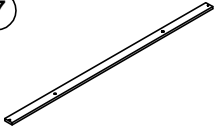


# Assembly Instruction

Item No: BESC#1266HB King 6/6 Panel Upholstered Headboard  
 BESC#1266FB King 6/6 Panel Bed Footboard with slats  
 BESC#125066R Queen / King 5/0 - 6/6 Rails

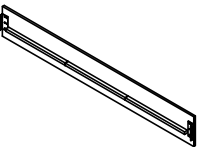
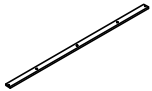


## PARTS LIST OF BESC#1266HB

 UPH Headboard : 1Pc	 Headboard stretcher : 1Pc	<b>⑤ HARDWARE LIST OF BESC#1266HB</b>			
		NO.	DRAWING	DESCRIPTION	
		A		Flat Washer $\phi 5/16"$ x 19*2mm	8Pcs
		B		Spring Washer $\phi 5/16"$	8Pcs
		C		Bolt $\phi 5/16"$ x 2"	8Pcs
		D		Allen Key 5mm	1Pc
		E		Touch Pen	1Pc
 Headboard Post Left : 1Pc	 Headboard Post Right : 1Pc				

## PARTS LIST OF BESC#1266FB

 Footboard Panel: 1Pc	 Wood Slats : 5Pcs	<b>⑨ HARDWARE LIST OF BESC#1266FB</b>			
	 Support Leg : 10Pcs	NO.	DRAWING	DESCRIPTION	
		F		Wood Screw #8 x 1"	10Pcs

## PARTS LIST OF BESC#125066R

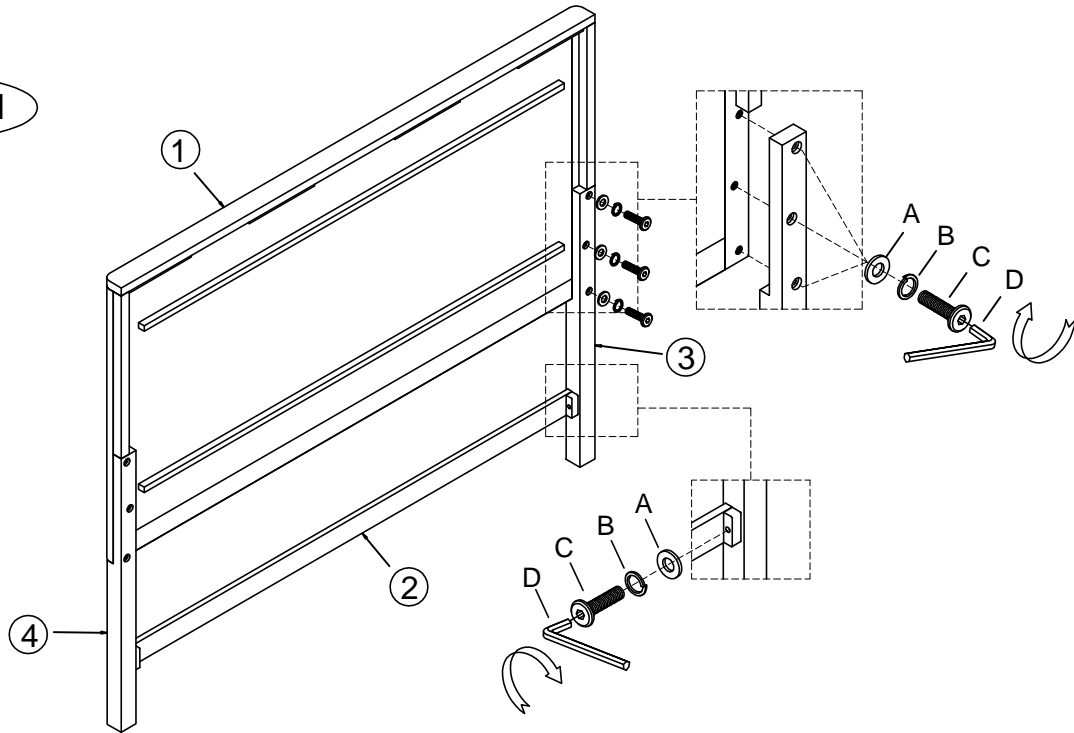
 Side Rails : 2Pcs	 Bed Slats : 1Pcs				
	 Support Leg : 3Pcs				
<b>⑬ HARDWARE LIST OF BESC#125066R</b>					
NO.	DRAWING	DESCRIPTION			
G		Wood Screw #8 x 1"		2Pcs	



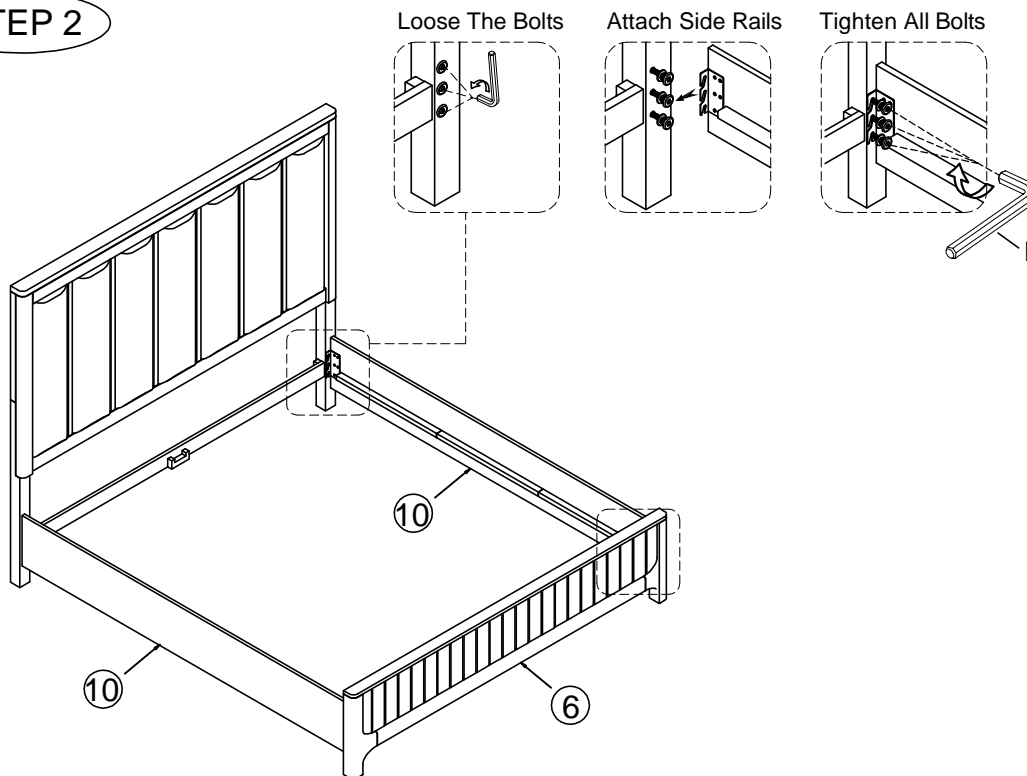
# Assembly Instruction

Item No: BESC#1266HB King 6/6 Panel Upholstered Headboard  
BESC#1266FB King 6/6 Panel Bed Footboard with slats  
BESC#125066R Queen / King 5/0 - 6/6 Rails

## STEP 1



## STEP 2

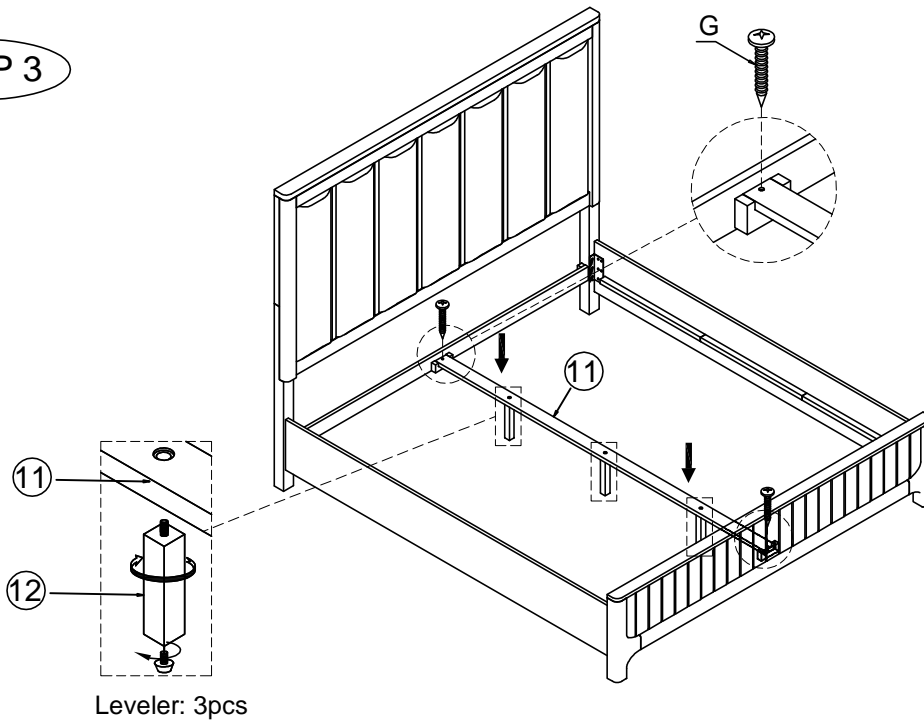




# Assembly Instruction

Item No: BESC#1266HB King 6/6 Panel Upholstered Headboard  
BESC#1266FB King 6/6 Panel Bed Footboard with slats  
BESC#125066R Queen / King 5/0 - 6/6 Rails

## STEP 3



## STEP 4

