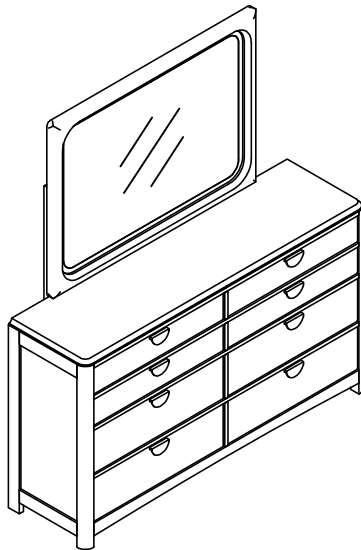




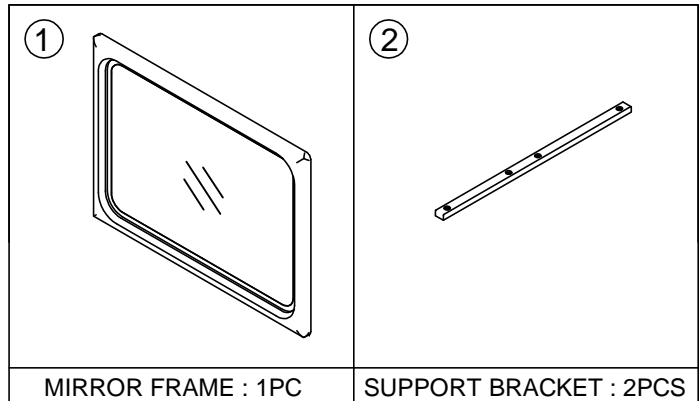
Assembly Instruction

Item No: **BESC#3148**

Description: **Mirror**



PARTS LIST



MIRROR FRAME : 1PC

SUPPORT BRACKET : 2PCS

③

HARAWARE LIST

NO.	DRAWING	DESCRIPTION	
A		Flat Washer $\phi 1/4"$ x 19*2mm	8Pcs
B		Spring Washer $\phi 1/4"$	8Pcs
C		Bolt $\phi 1/4"$ x 1-1/2"	8Pcs
D		Allen Key	1Pc
E		Touch Pen	1Pc

STEP 1

