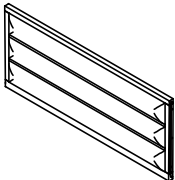
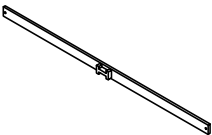









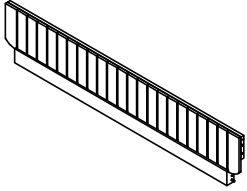
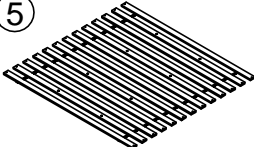










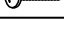
Assembly Instruction

Item No: **BESC#1166HB King 6/6 Poster Upholstered Headboard**
BESC#1166FB King 6/6 Poster Bed Footboard with slats
BESC#115066RP Queen/King 5/0- 6/6 Side Posts and Rails

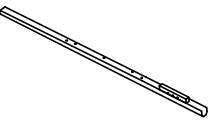
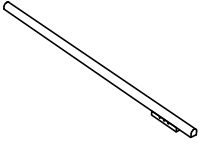
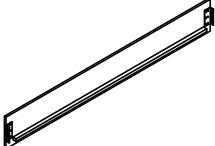
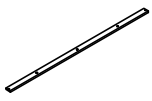


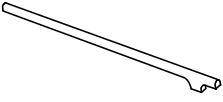

PARTS LIST OF BESC#1166HB

 UPHI Headboard : 1Pc	 Headboard stretcher : 1Pc	③ HARAWARE LISTOF BESC#1166HB			
		NO.	DRAWING	DESCRIPTION	
		A		Flat Washer $\phi 5/16"$ x 19*2mm	8Pcs
		B		Spring Washer $\phi 5/16"$	8Pcs
		C		Bolt $\phi 5/16"$ x 1-3/4"	8Pcs
		D		Allen Key 5mm	1Pc
		E		Touch Pen	1Pc

PARTS LIST OF BESC#1166FB

 Footboard Panel: 1Pc	 Wood Slats : 1Set	 Support Leg : 8Pcs	⑦ HARAWARE LISTOF BESC#1166FB			
	 Support Leg : 8Pcs		NO.	DRAWING	DESCRIPTION	
		F		Flat Washer $\phi 5/16"$ x 19*2mm	4Pcs	
		G		Spring Washer $\phi 5/16"$	4Pcs	
		H		Bolt $\phi 5/16"$ x 1-3/4"	4Pcs	
		I		Allen Key 5mm	1Pc	
		J		All-Thread Bolt $\phi 5/16$ x 3-1/2"	2Pcs	
		K		Curved Washer $\phi 5/16"$	2Pcs	
		L		Nut $\phi 5/16$ x L17	2Pcs	
		M		Open Wrench $\phi 5/16"$	1Pc	
		N		Wood Screw #8 x 1"	26Pcs	

PARTS LIST OF BESC#115066RP

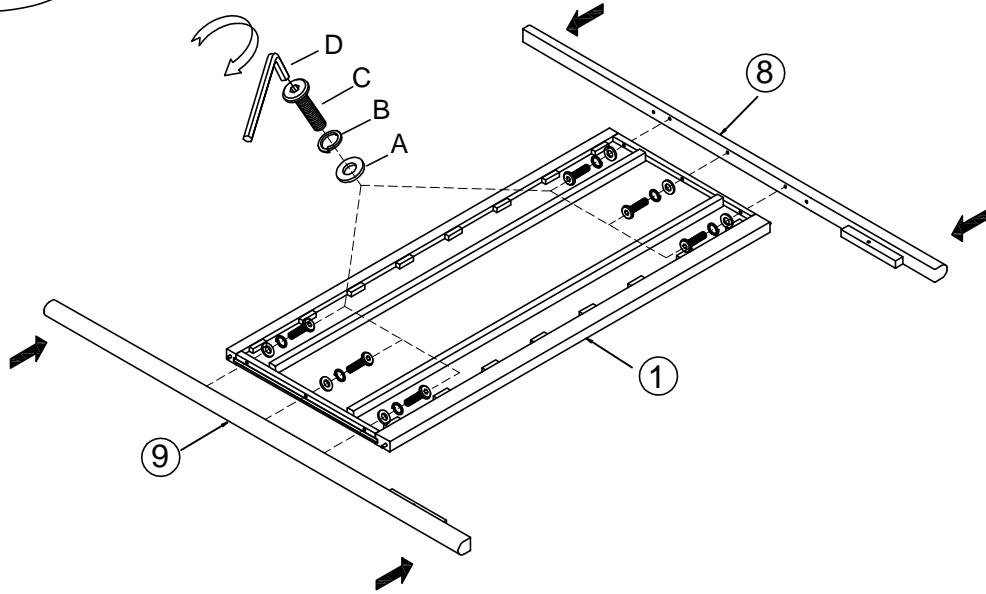
 Headboard Post Left : 1Pc	 Headboard Post Right : 1Pc	 Side Rails : 2Pcs	 Bed Slats : 1Pcs		
			 Support Leg : 3Pcs		
 Footboard Post Left : 1Pc	 Footboard Post Right : 1Pc	⑮ HARAWARE LISTOF BESC#115066RP			
		NO.	DRAWING	DESCRIPTION	
		P		Wood Screw #8 x 1"	2Pcs



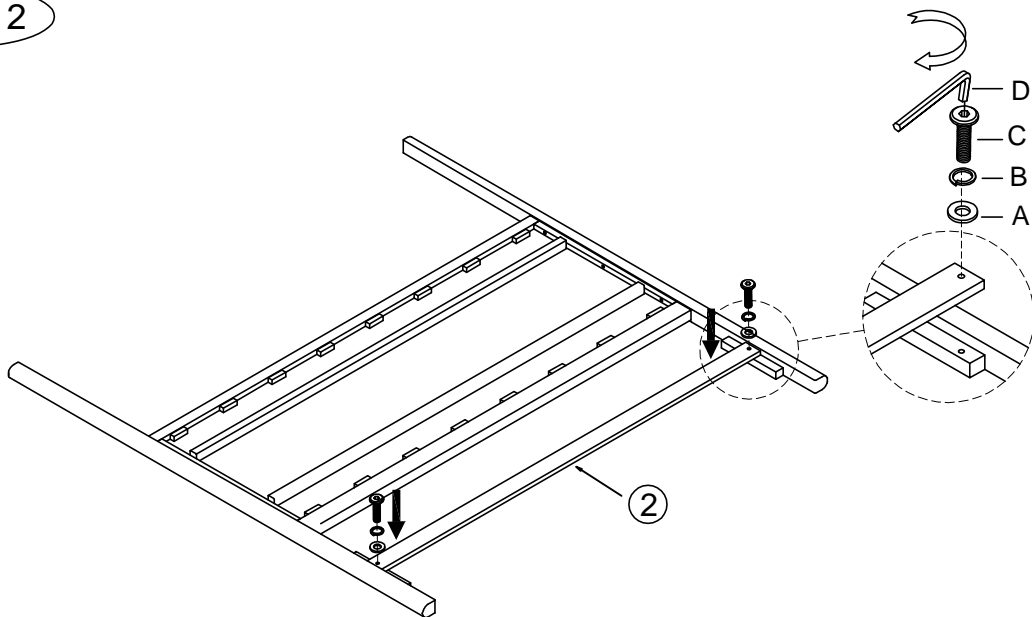
Assembly Instruction

Item No: BESC#1166HB King 6/6 Poster Upholstered Headboard
BESC#1166FB King 6/6 Poster Bed Footboard with slats
BESC#115066RP Queen/King 5/0- 6/6 Side Posts and Rails

STEP 1



STEP 2

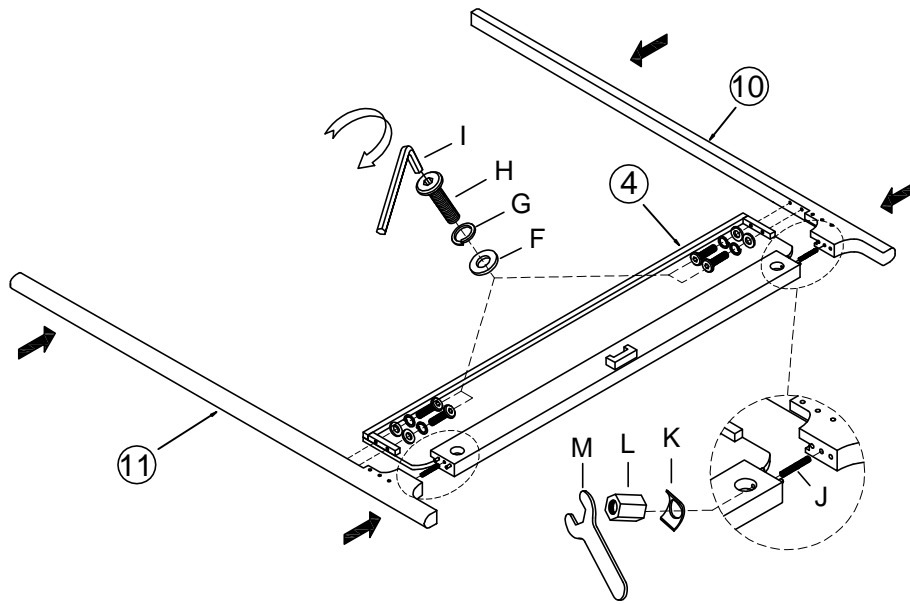




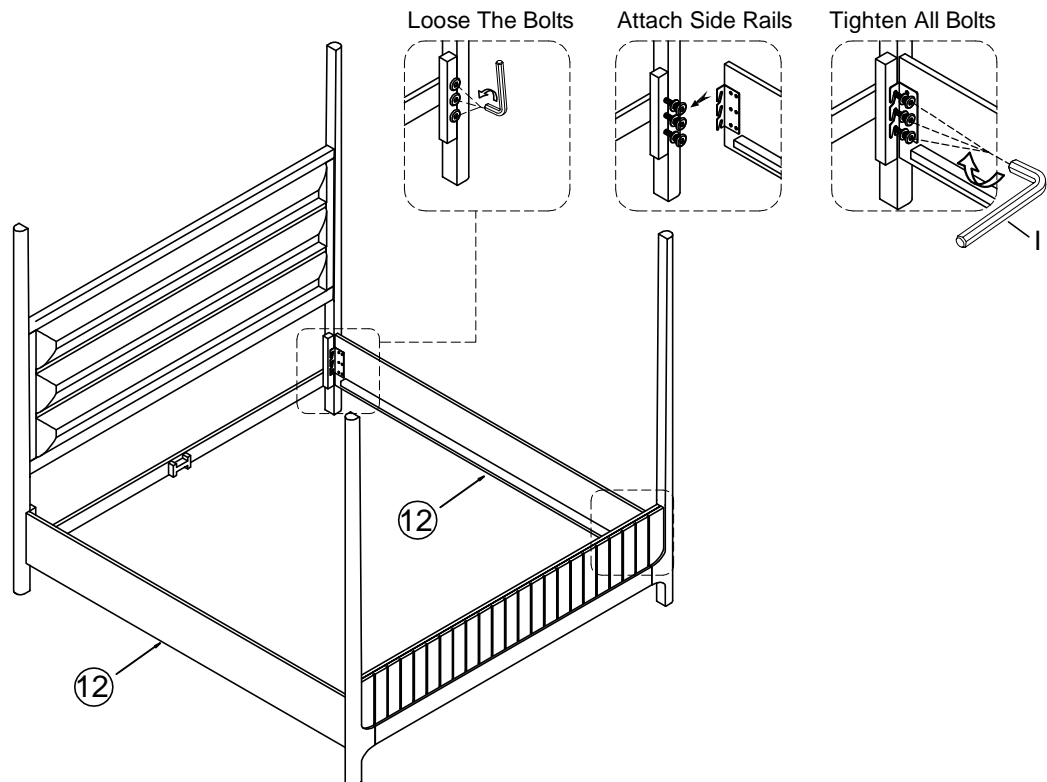
Assembly Instruction

Item No: BESC#1166HB King 6/6 Poster Upholstered Headboard
BESC#1166FB King 6/6 Poster Bed Footboard with slats
BESC#115066RP Queen/King 5/0- 6/6 Side Posts and Rails

STEP 1



STEP 2

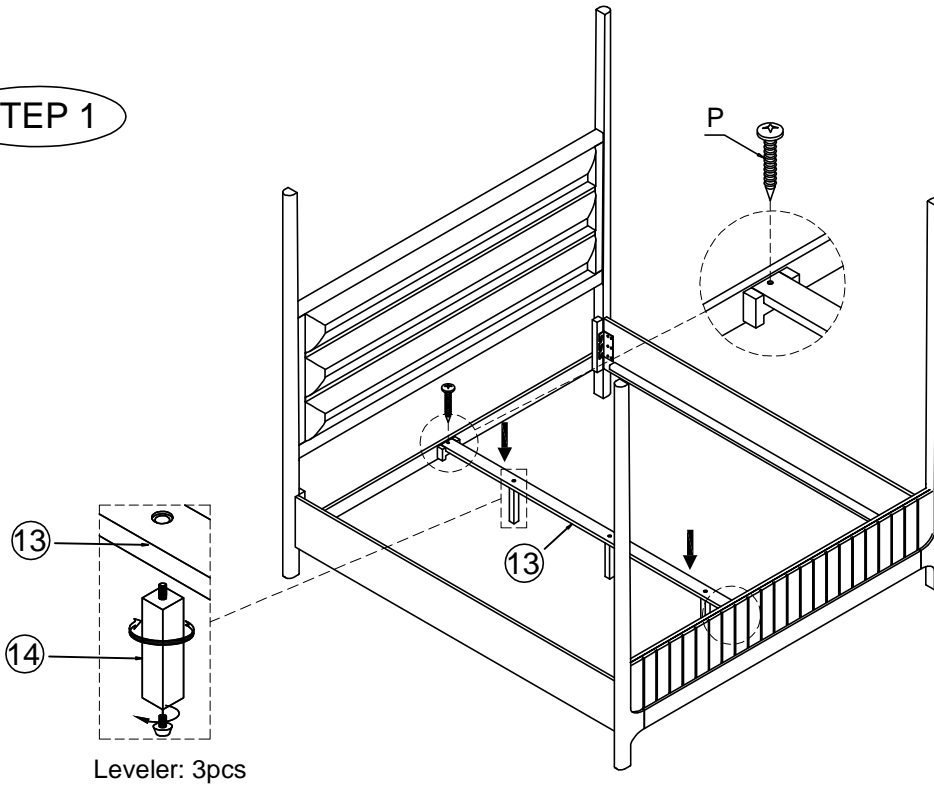




Assembly Instruction

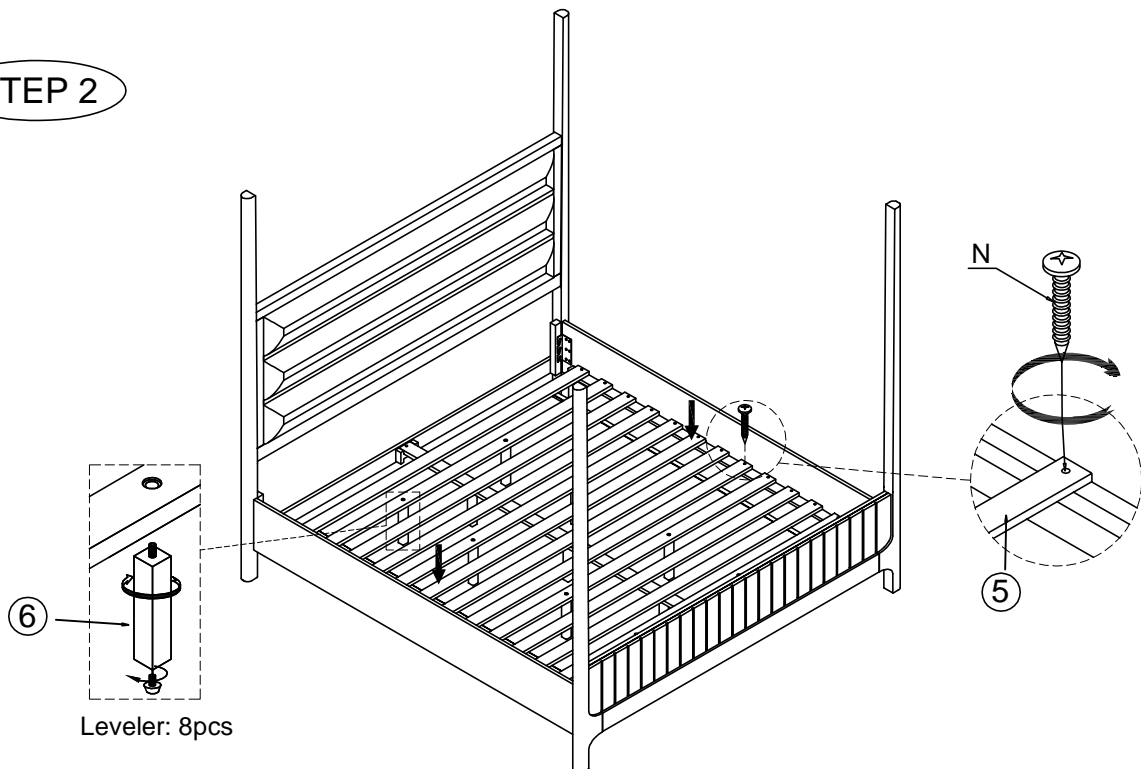
Item No: BESC#1166HB King 6/6 Poster Upholstered Headboard
BESC#1166FB King 6/6 Poster Bed Footboard with slats
BESC#115066RP Queen/King 5/0- 6/6 Side Posts and Rails

STEP 1



Leveler: 3pcs

STEP 2



Leveler: 8pcs