



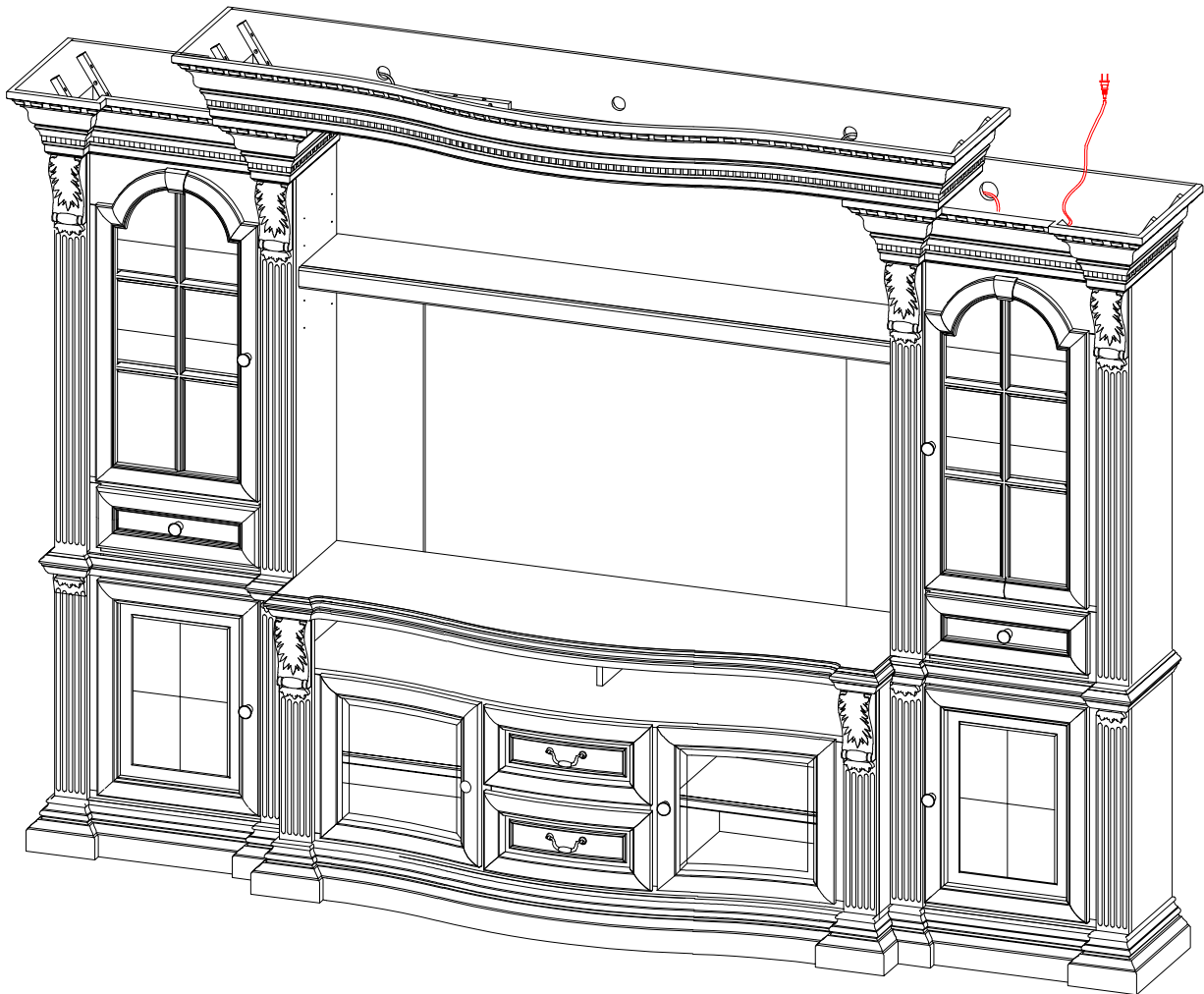
Parker House
FURNITURE

Assembly Instruction

Item No: BEL 700 - 750L - 750R - 705

Description : BRIDGE, SHELF, AND LOWER BACK PANEL
EXTENSION

Rev 1 :2021-07-28



Preinstallation Notes:

Assemble wall near or at final position
with at least 2 people.
Level all pieces prior to assembly.

Tools needed for assembly:
Phillips-head screwdriver,
flat-head screwdriver



Parker House
FURNITURE





Assembly Instruction

Item No: BEL 700 - 750L - 750R - 705

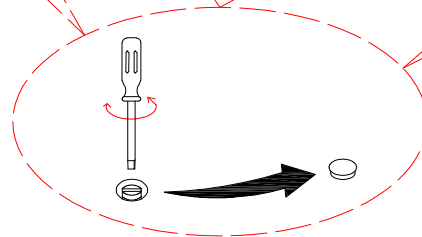
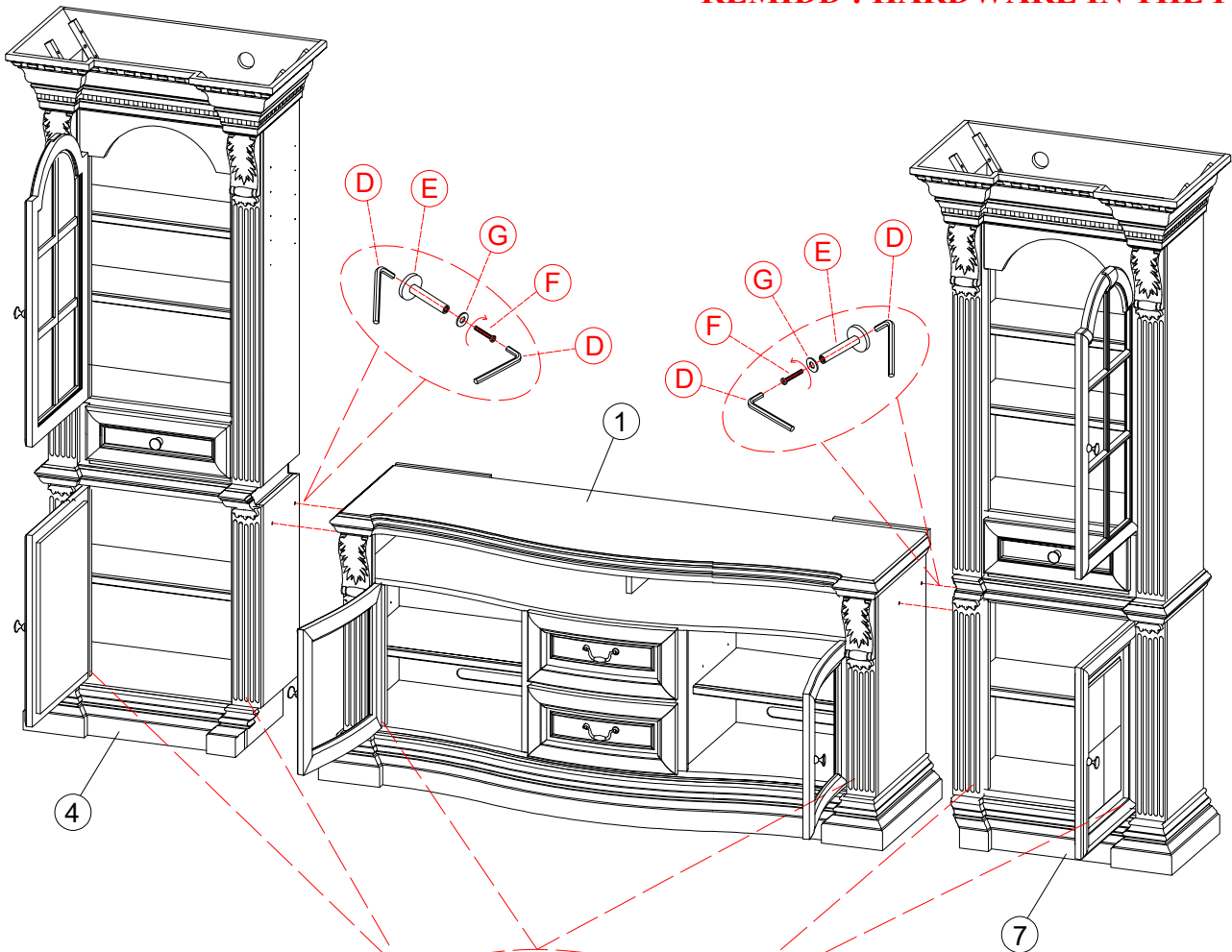
Description : BRIDGE, SHELF, AND LOWER BACK PANEL
EXTENSION

Rev 1 :2021-07-28

HARDWARE LIST

No	Description	Sketch	Q'TY
D	Allen key		2PCS
E	28mm Bolt		4PCS
F	Screw cap		4PCS
G	Flat washer		4PCS

REMIND : HARDWARE IN THE PIER



To adjust and access levelers, first remove plastic cap with a flat-head screwdriver. Using the same screwdriver, proceed to turn leveler clockwise to raise the piece, or counterclockwise to lower the piece.



Parker House
FURNITURE

Assembly Instruction

Item No: BEL 700 - 750L - 750R - 705

Description : BRIDGE, SHELF, AND LOWER BACK PANEL
EXTENSION

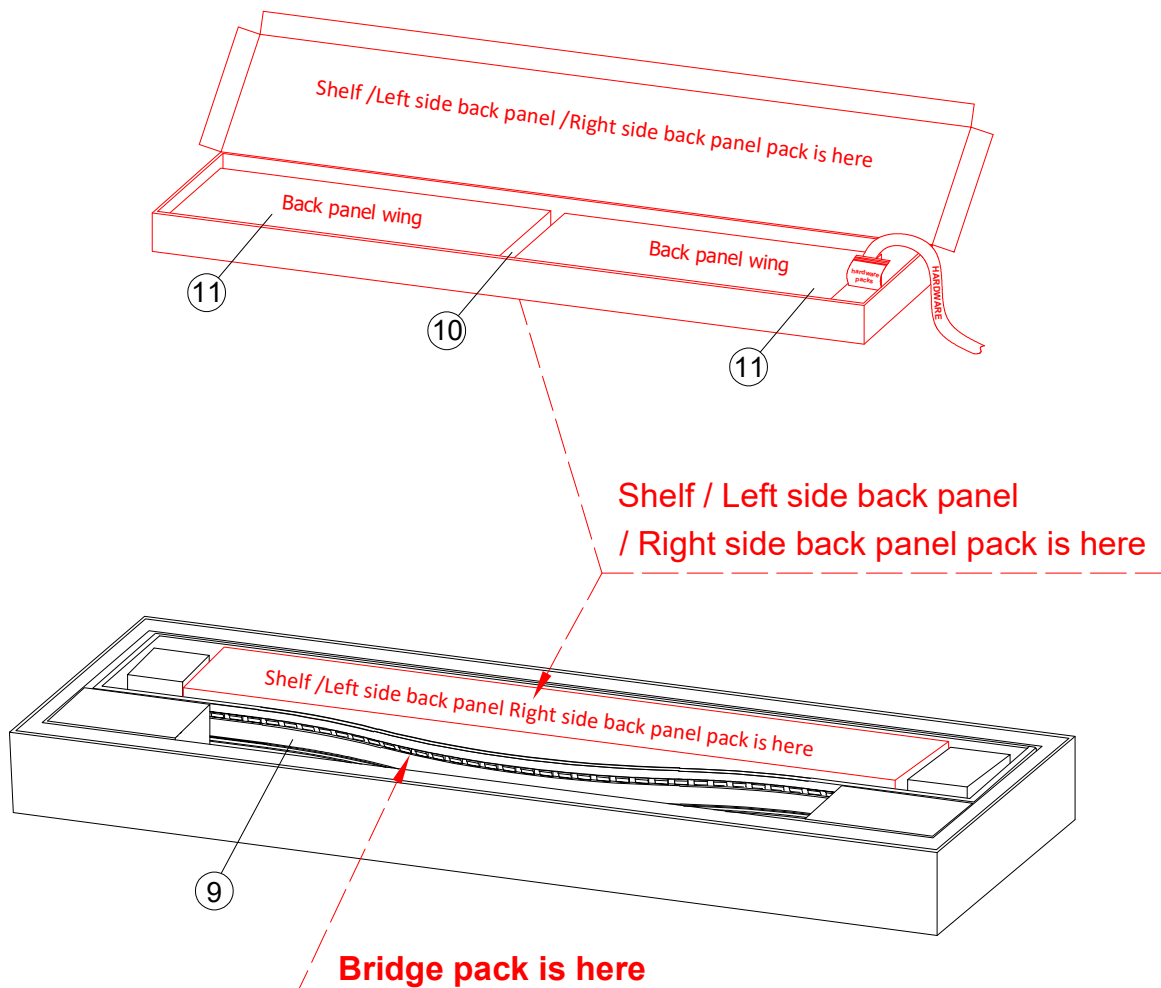
Rev 1 :2021-07-28

HARDWARE LIST

No	Description	Sketch	Q'TY
I	Hooking		4PCS
J	Wood Screws 1/2"		16PCS
K	Hooking		2PCS
L	Screws 3*12mm		4PCS

PARTS LIST

BRIDGE (1 PC)	SHELF (1PC)
	BACK PANEL WING (2PCS)





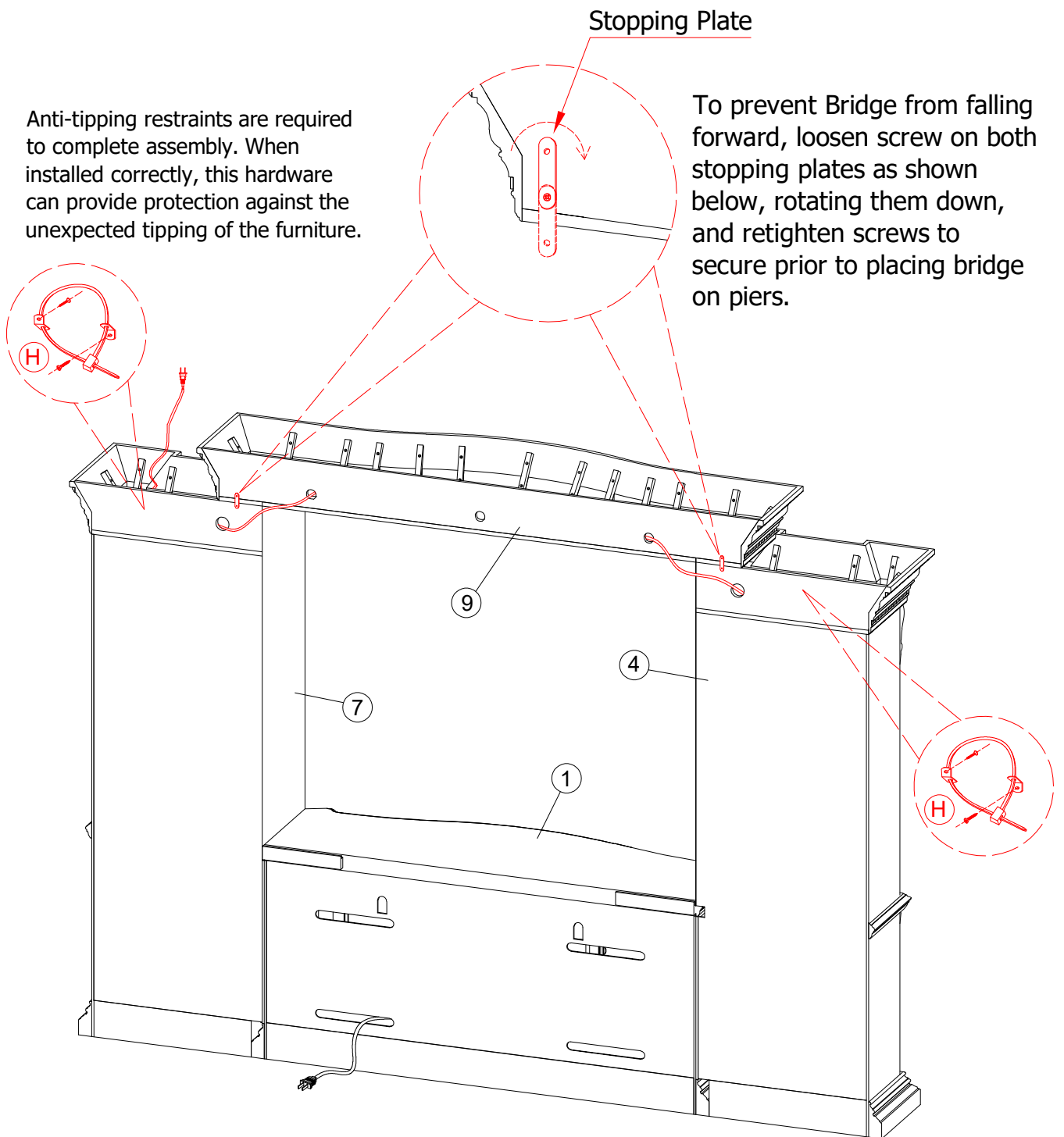
Parker House
FURNITURE

Assembly Instruction

Item No: BEL 700 - 750L - 750R - 705

Description : BRIDGE, SHELF, AND LOWER BACK PANEL
EXTENSION

Rev 1 :2021-07-28





Parker House
FURNITURE

Assembly Instruction

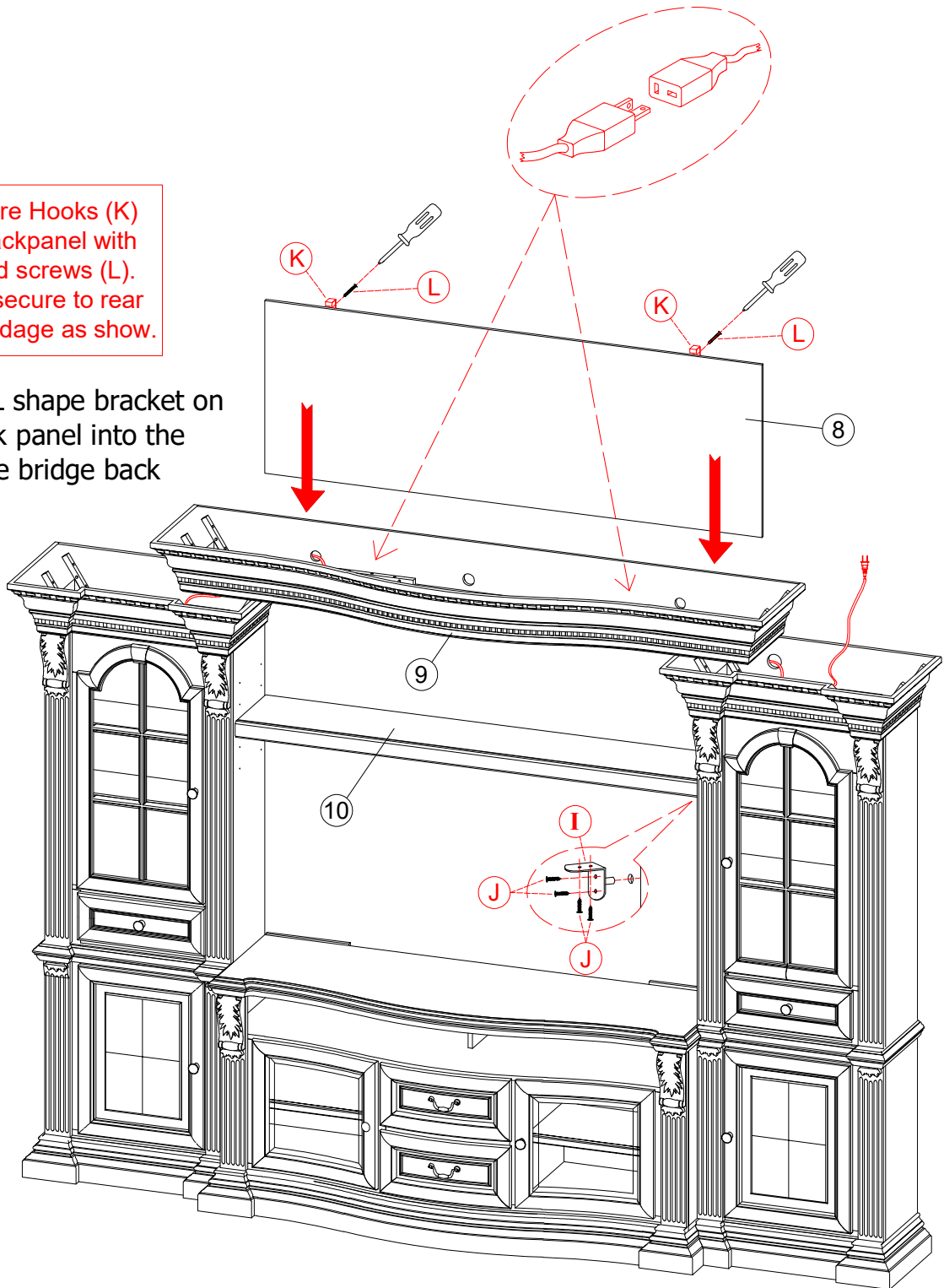
Item No: BEL 700 - 750L - 750R - 705

Description : BRIDGE, SHELF, AND LOWER BACK PANEL
EXTENSION

Rev 1 :2021-07-28

Secure Hooks (K)
to Backpanel with
Wood screws (L).
and secure to rear
of bridge as show.

Hook the L shape bracket on
upper back panel into the
hole on the bridge back





Parker House
FURNITURE

Assembly Instruction

Item No: BEL 700 - 750L - 750R - 705

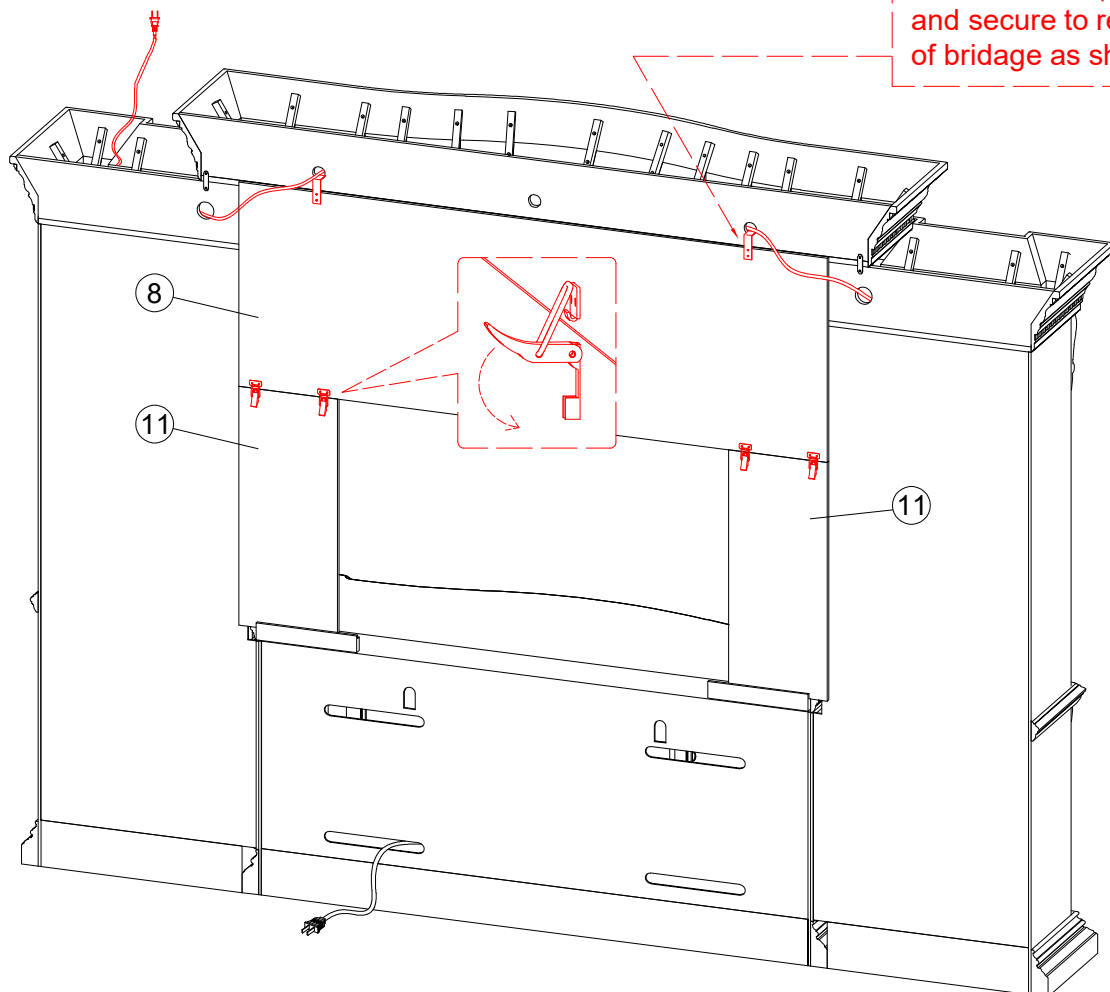
Description : BRIDGE, SHELF, AND LOWER BACK PANEL
EXTENSION

Rev 1 :2021-07-28

HARDWARE LIST

Position backpanel wings into slotted grooves found at console's top rear, and fasten to backpanel with connecting clips.

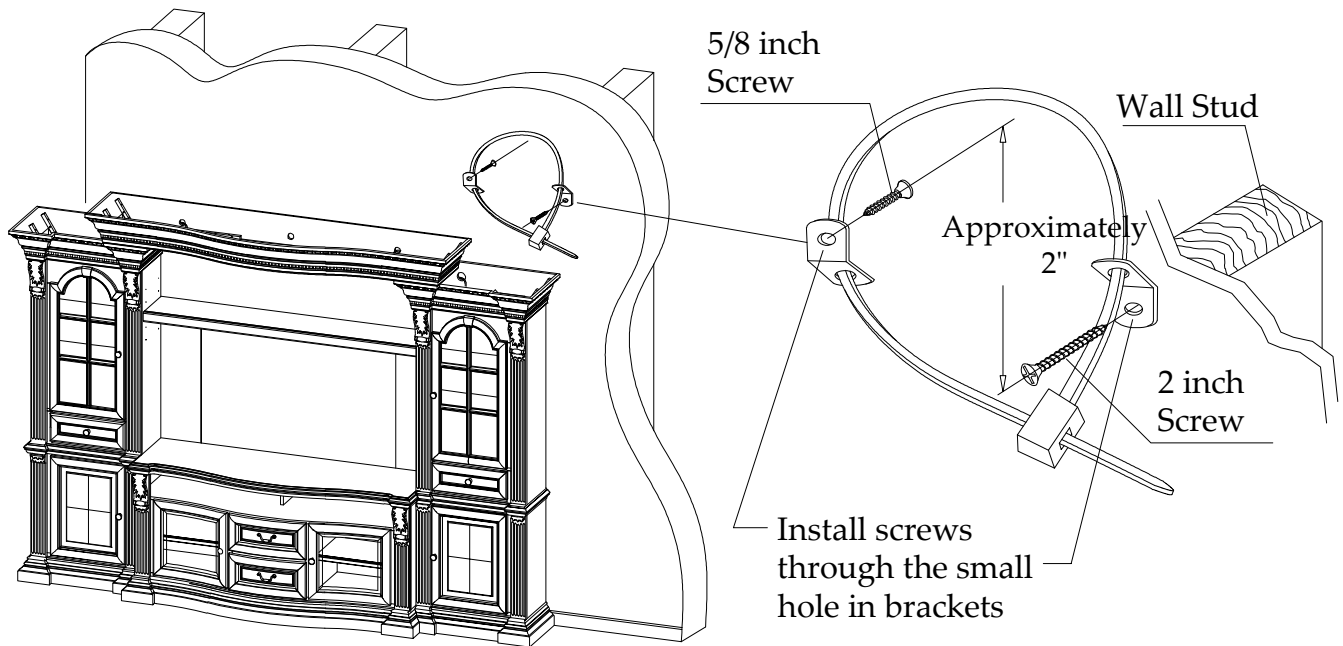
Secure Hooks (K) to Backpanel with Wood screws (L). and secure to rear of bridge as show.





Anti-Tip Hardware Installation Instructions

Notice: In homes where small children may be present, Parker House recommends that steps be taken for certain furniture items to prevent or minimize the risk of tip-over. This furniture is equipped with Tip-over Restraint Hardware for use to minimize this risk, if used. Please follow below installation steps. Parker House recommends that parents and guardians periodically visit the U.S. Consumer Product Safety Commission (CPSC) website at <http://www.cpsc.gov/> and stay up to date on all issues related to children's product safety.



1. Temporarily locate the furniture to near its final location in the room next to a wall. Locate a wall stud behind your furniture and also mark the stud's location on the back of your furniture.
2. Firmly attach one bracket to the stud approximately 2" below the top of the furniture with the **2 inch long** Wood Screws provided. It may be necessary to drill 3/32 dia. pilot holes for the screws.
3. Firmly attach the other bracket onto a solid, structural part on the back of the furniture using the **5/8 inch long** Wood Screws. It may also be necessary to pilot bore for these screws.
4. Move the furniture into its final position, taking care to line up the wall bracket with the furniture bracket. Thread a strap through the bracket as shown in the illustration. Tighten strap until snug but do not over tighten.

Caution :

Parker House assumes no liability for improper installation or excessive loads placed on screws, brackets or straps. Failure to detach this restraint before moving furniture may result in personal injury and property damage.

Warning :

This tip-over restraint is not to be a substitute for proper adult supervision. Do not allow children to climb on furniture. Items left on top of the TV and furniture, such as toys, remote controls, and treats might tempt young children to climb. Push the TV as far back as possible from the front of its stand. Place electrical cords out of a child's reach, and teach children not to play with the cords.