



Assembly Instruction



Item No: BEL 705

Parker House
FURNITURE

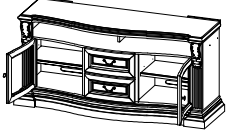
Description : 67 IN. TV CONSOLE WITH POWER CENTER

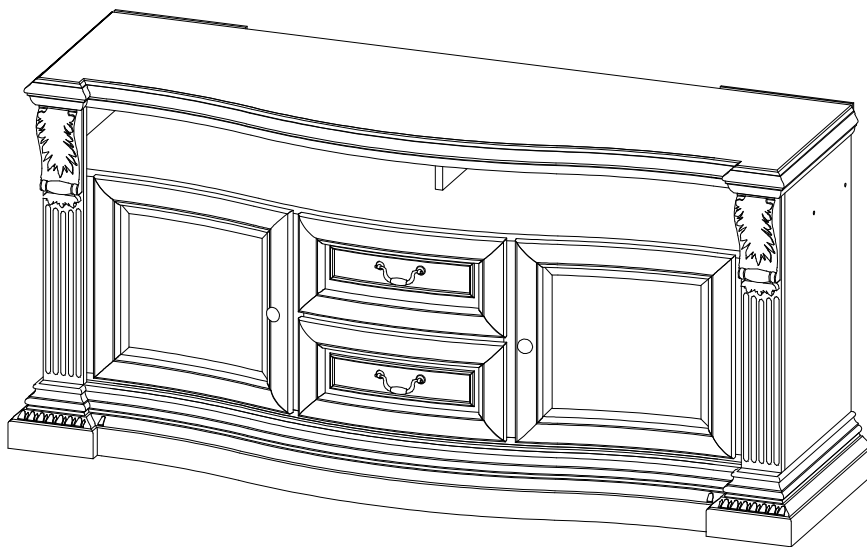
Rev 1 :2021-07-28

HARDWARE LIST

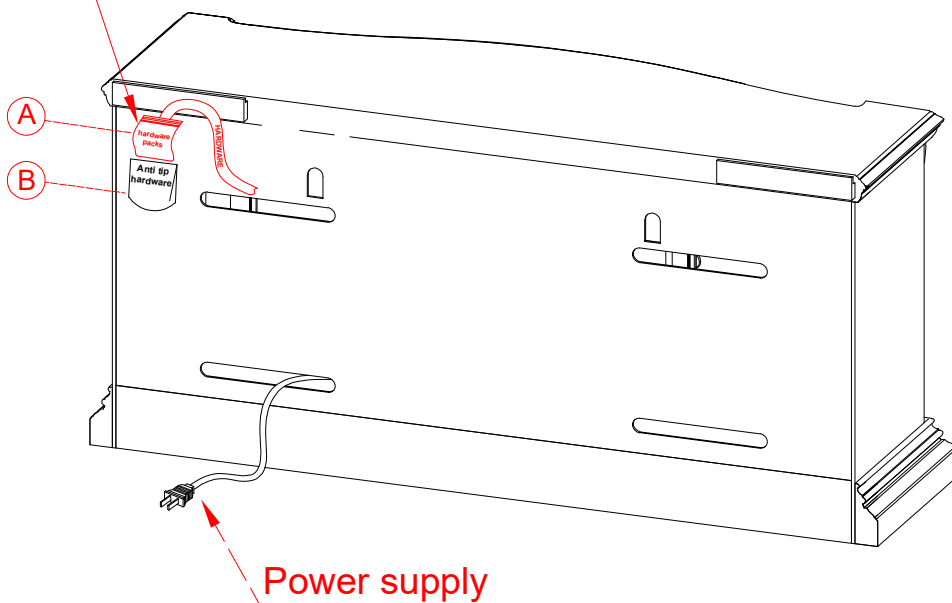
No	Description	Sketch	Q'TY
A	Hardware pack		1PC
B	Anti tip hardware		1PC

PARTS LIST

Console (1 PC)




Hardware pack and Anti tip hardware is screwed here





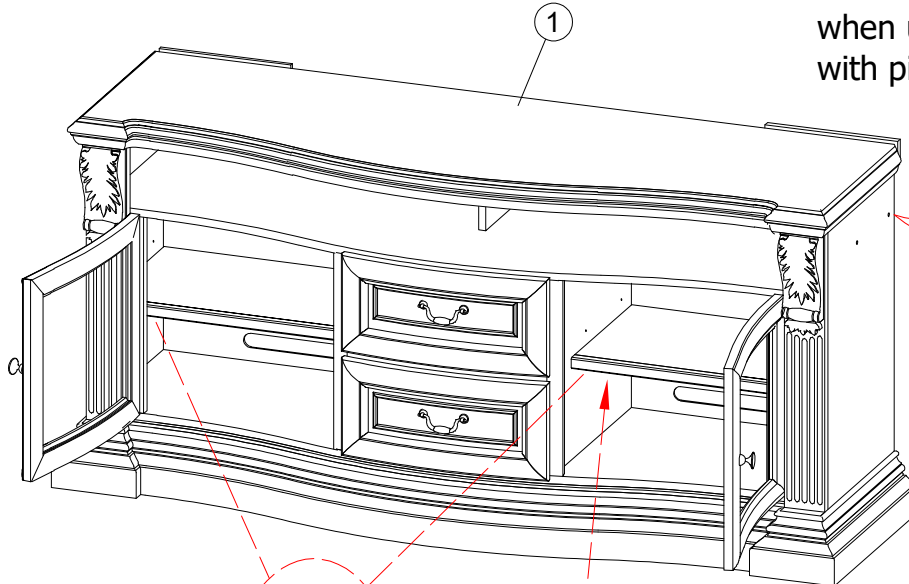
Parker House
FURNITURE

Assembly Instruction

Item No: BEL 705

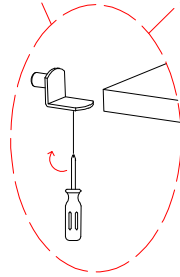
Description : 67 IN. TV CONSOLE WITH POWER CENTER

Rev 1 :2021-07-28



Please remove wood plugs when used in conjunction with piers.

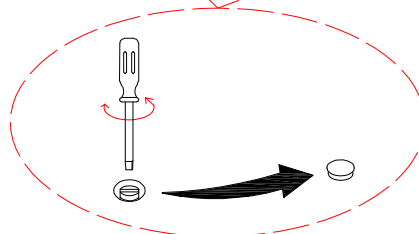
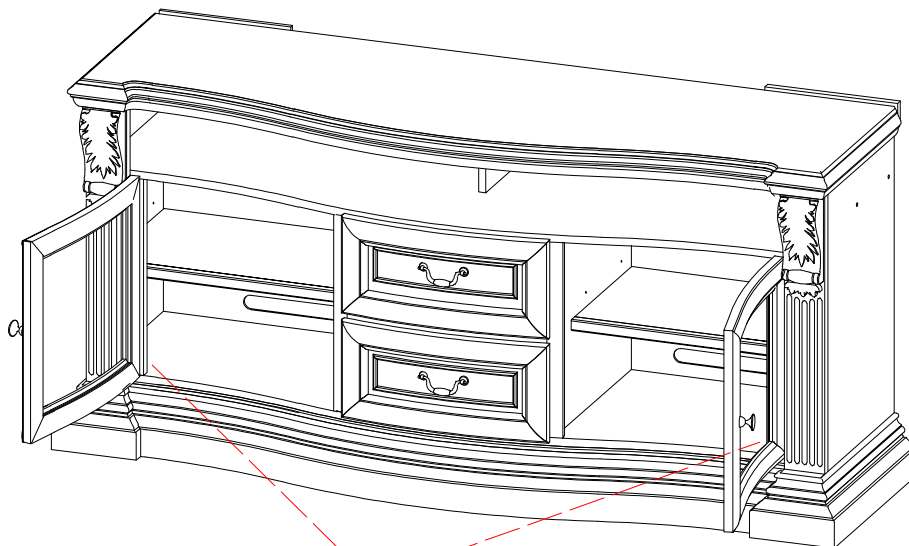
Power supply



For shipping purposes, adjustable shelves are secured in place. To adjust, please remove screws under each shelf pin.

Re-place pins and shelf to desired position.

It is recommended to re-secure screws to shelf.



To adjust and access levelers, first remove plastic cap with a flat-head screwdriver. Using the same screwdriver, proceed to turn leveler clockwise to raise the piece, or counterclockwise to lower the piece.