

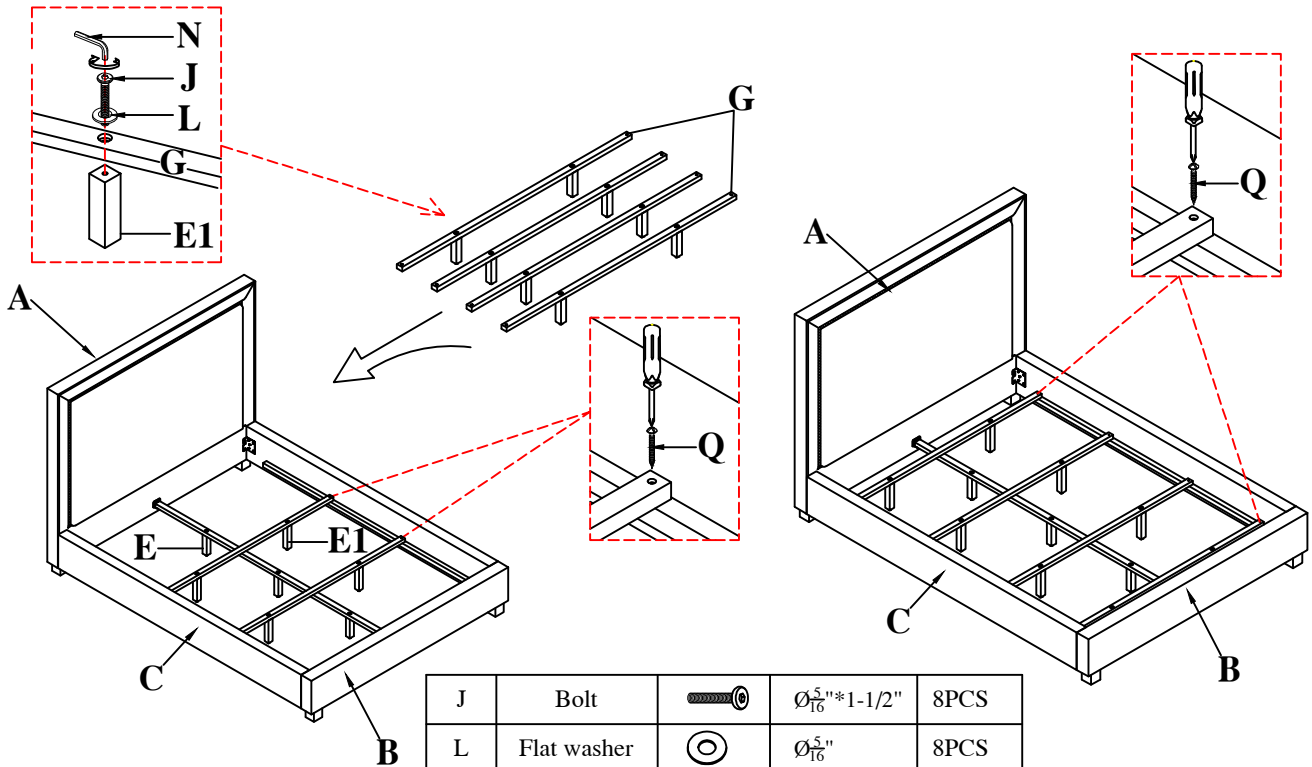
ASSEMBLY INSTRUCTIONS





Item No :BCOD#8000/BCOD#9000/BCOD#9500

Description : CODY QUEEN/KING/CAL.KING BED

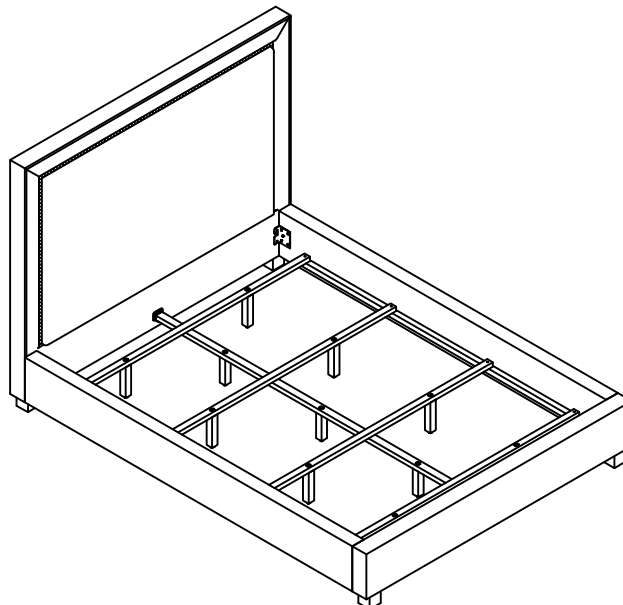
Thank you for purchasing this quality product. Be sure to check all packing material carefully for small parts that may have come loose inside the carton during shipment.

Step 4 : Assembly Slat(G) with Side Rail(C).



J	Bolt		$\text{Ø}\frac{5}{16}'' * 1-1/2''$	8PCS
L	Flat washer		$\text{Ø}\frac{5}{16}''$	8PCS
Q	Screw		$\text{Ø}8 * 1-1/2''$	8PCS
N	Allen key		M4	1PC

Step 5 : Completed assembly.



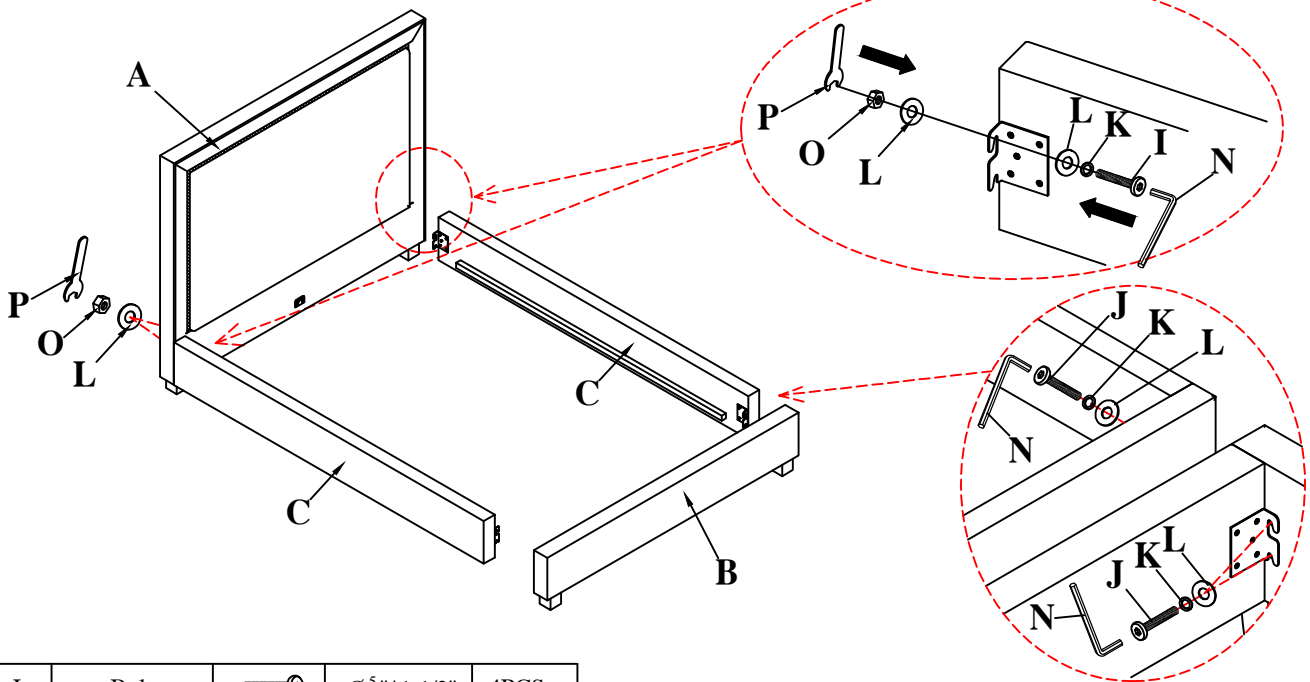
ASSEMBLY INSTRUCTIONS





Item No :BCOD#8000/BCOD#9000/BCOD#9500




Description : CODY QUEEN/KING/CAL.KING BED

Thank you for purchasing this quality product. Be sure to check all packing material carefully for small parts that may have come loose inside the carbon during shipment.

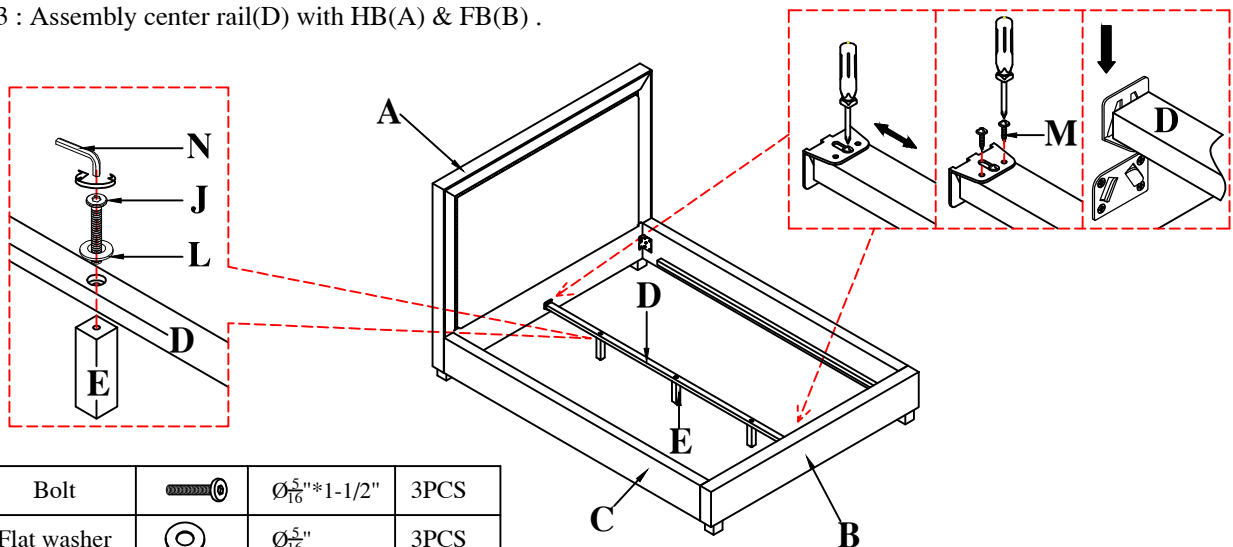
Step 2 : Assembly side rail(C) with HB(A) & FB(B).







J	Bolt		$\text{Ø}\frac{5}{16}'' * 1-1/2''$	4PCS
K	Spring washer		$\text{Ø}\frac{5}{16}''$	8PCS
L	Flat washer		$\text{Ø}\frac{5}{16}''$	12PCS
N	Allen key		M4	1PC

I	Bolt		$\text{Ø}\frac{5}{16}'' * 2-1/2''$	4PCS
O	Nut		$\text{Ø}\frac{5}{16}''$	4PCS
P	Spanner		M12	1PC

Step 3 : Assembly center rail(D) with HB(A) & FB(B) .



J	Bolt		$\text{Ø}\frac{5}{16}'' * 1-1/2''$	3PCS
L	Flat washer		$\text{Ø}\frac{5}{16}''$	3PCS
M	Screw		$\text{Ø}8 * 3/4''$	4PCS
N	Allen key		M4	1PC

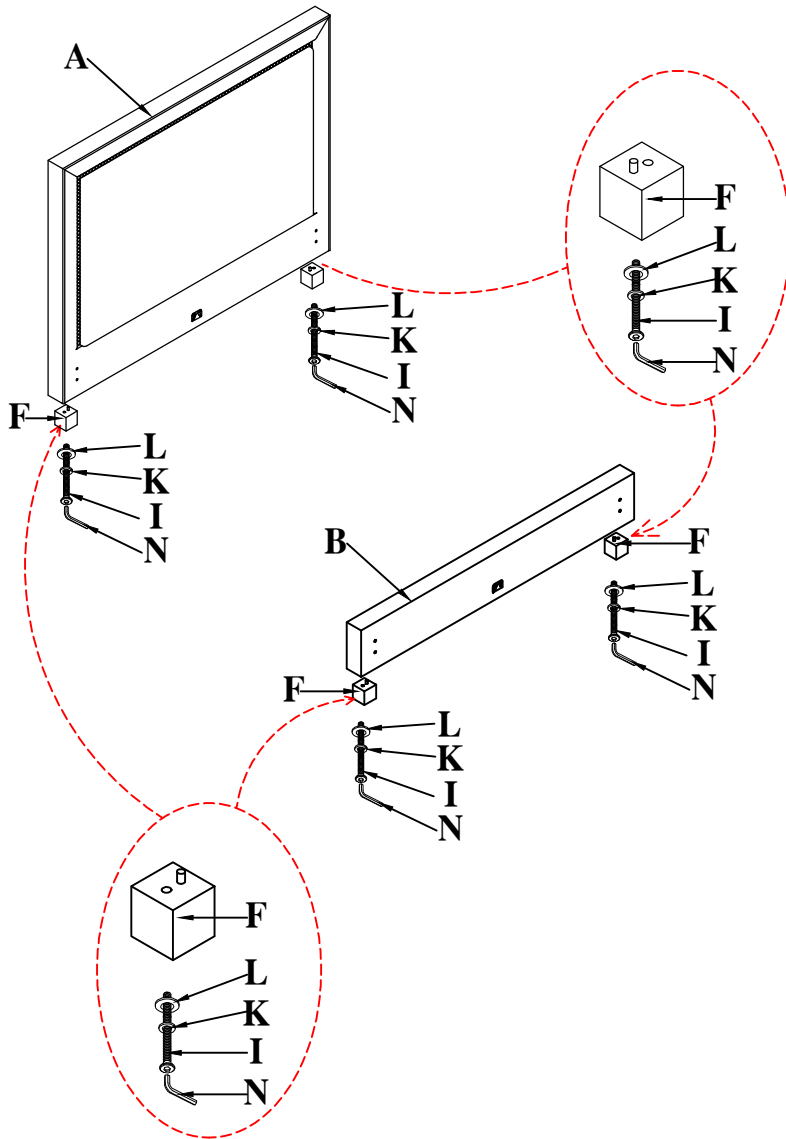
ASSEMBLY INSTRUCTIONS

Item No :BCOD#8000/BCOD#9000/BCOD#9500

Description : CODY QUEEN/KING/CAL.KING BED

Thank you for purchasing this quality product. Be sure to check all packing material carefully for small parts that may have come loose inside the carton during shipment.

Step 1 : Assembly HB(A) & FB(B) with Leg (F) .



I	Bolt		$\varnothing\frac{5}{16}''*2-1/2''$	4PCS
K	Spring washer		$\varnothing\frac{5}{16}''$	4PCS
L	Flat washer		$\varnothing\frac{5}{16}''$	4PCS
N	Allen key		M4	1PC

TOOLS REQUIRED (Not provided)

Phillips Screwdriver

A	Headboard		1PC
B	Footboard		1PC
C	Side Rail		2PCS
D	Center Rail		1PC
E	Center Rail Support Leg		3PCS
E1	Slat Support Leg		8PCS
F	Leg		4PCS
G	Slat		4PCS

HARDWARE LIST:

No.	Description	Sketch	Size	Quantity
I	Bolt		$\varnothing\frac{5}{16}''*2-1/2''$	8PCS
J	Bolt		$\varnothing\frac{5}{16}''*1-1/2''$	15PCS
K	Spring Washer		$\varnothing\frac{5}{16}''$	12PCS
L	Flat Washer		$\varnothing\frac{5}{16}''$	27PCS
M	Screw		$\varnothing8*3/4''$	4PCS
N	Allen Key		M4	2PCS
O	Nut		$\varnothing\frac{5}{16}''$	4PCS
P	Spanner		M12	1PC
Q	Screw		$\varnothing8*1-1/2''$	8PCS