

Headboard hardware located in velcro pouch in back of headboard.

Footboard hardware located in one end of the footboard/siderails.

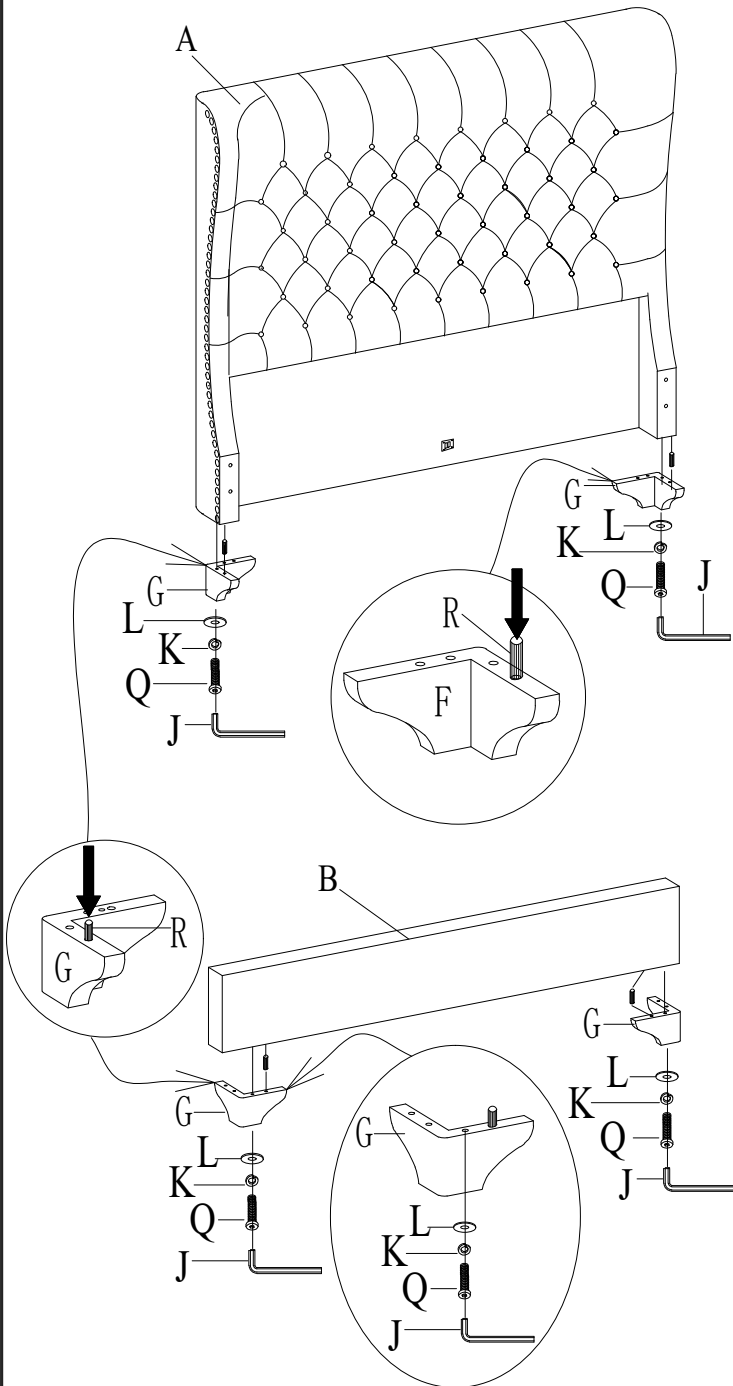
ASSEMBLY INSTRUCTIONS

Item No: BCHL#8000 / BCHL#9000 / BCHL#9500

Description: CHLOE QUEEN/KING/CAL.KING BED

Thank you for purchasing this quality product. Be sure to check all packing material carefully for small parts that may have come loose inside the carton during shipment.

Step1: Assembly HB(A),FB(B) with Leg(G).



Q	Bolt		Ø5/16"*2-1/2"	4PCS
K	Spring Washer		Ø5/16"	4PCS
L	Flat Washer		Ø5/16"	4PCS
J	Allen Key		Ø5/16"*4"	1 PC
R	Dowel		Ø10"*30	4PCS

TOOLS REQUIRED(NOT PROVIDED)

Philips Screwdriver

PARTS LIST:

No.	Description	Sketch	Quantity
A	Headboard		1 PC
B	Footboard		1 PC
C	Side Rail		2PCS
D	Center Rail		1 PC
E	Center Rail Support Leg	1.2"*1.2"*4.3"H	3PCS
E1	Slat Support Leg	1.2"*1.2"*5.3"H	8PCS
F	Slats		4PCS
G	Leg	6.7"*6.7"*3.9"H	4PCS

HB HARDWARE LIST: (2) FEET FOR HEADBOARD

No.	Description	Sketch	Size	Quantity
H	Bolt		Ø5/16"*4"	4PCS
J	Allen Key		M5*4"	1PC
K	Spring Washer		Ø5/16"	6PCS
L	Flat Washer		Ø5/16"	6PCS
O	Spanner		M12	1PC
P	Nut		M8	4PCS
Q	Bolt		Ø5/16"*2-1/2"	2PCS
R	Dowel		Ø10"*30	2PCS

FB HARDWARE LIST: (2) FEET FOR FOOTBOARD

No.	Description	Sketch	Size	Quantity
H	Bolt		Ø5/16"*4"	4PCS
I	Bolt		Ø5/16"*1-1/2"	11PCS
J	Allen Key		M5*4"	1PC
K	Spring Washer		Ø5/16"	6PCS
L	Flat Washer		Ø5/16"	17PCS
M	Screw		Ø8*1"	4PCS
N	Screw		Ø8*1-1/2"	8PCS
O	Spanner		M12	1PC
P	Nut		M8	4PCS
Q	Bolt		Ø5/16"*2-1/2"	2PCS
R	Dowel		Ø10"*30	2PCS
S	Metal bracket		50*32*30*2	2SET

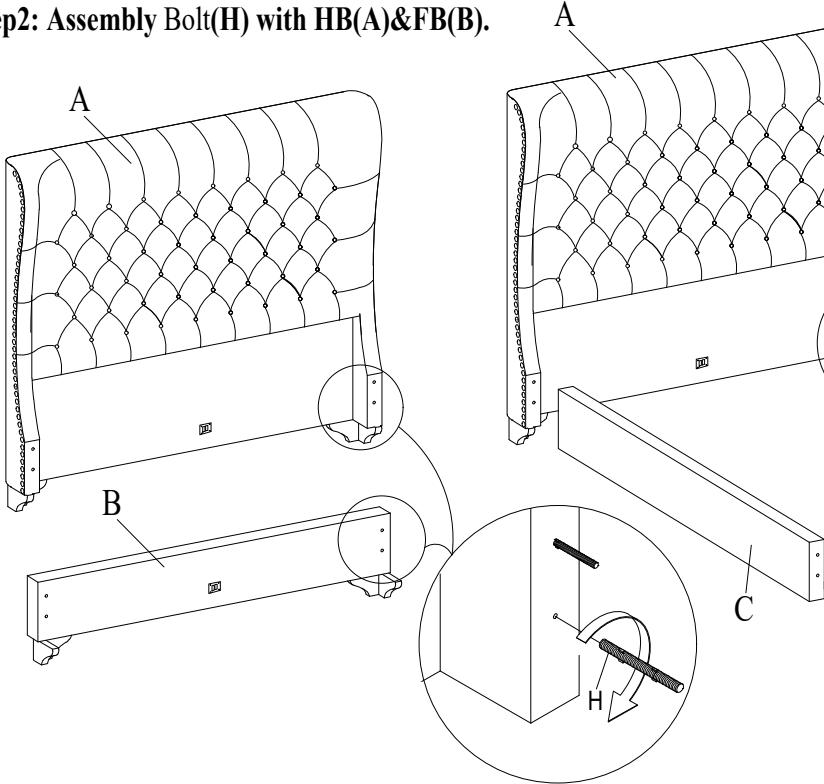
ASSEMBLY INSTRUCTIONS

Item No: BCHL#8000 / BCHL#9000 / BCHL#9500

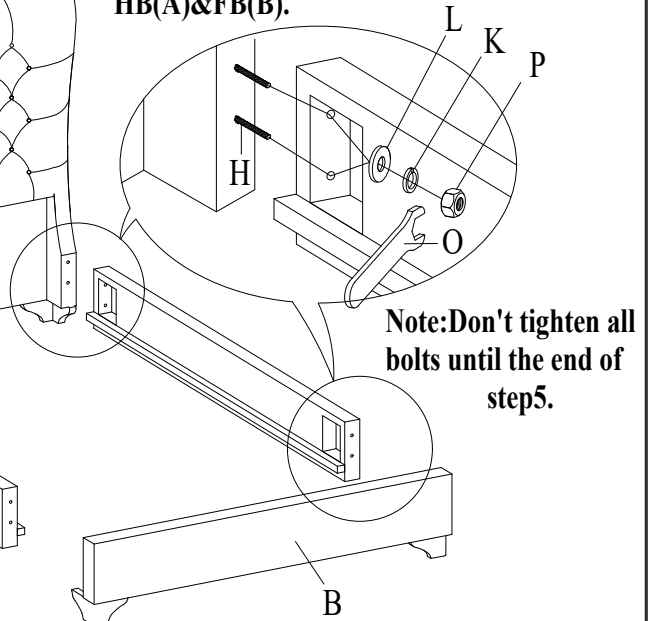
Description: CHLOE QUEEN/KING/CAL.KING BED

Thank you for purchasing this quality product. Be sure to check all packing material carefully for small parts that may have come loose inside the carton during shipment.

Step2: Assembly Bolt(H) with HB(A)&FB(B).



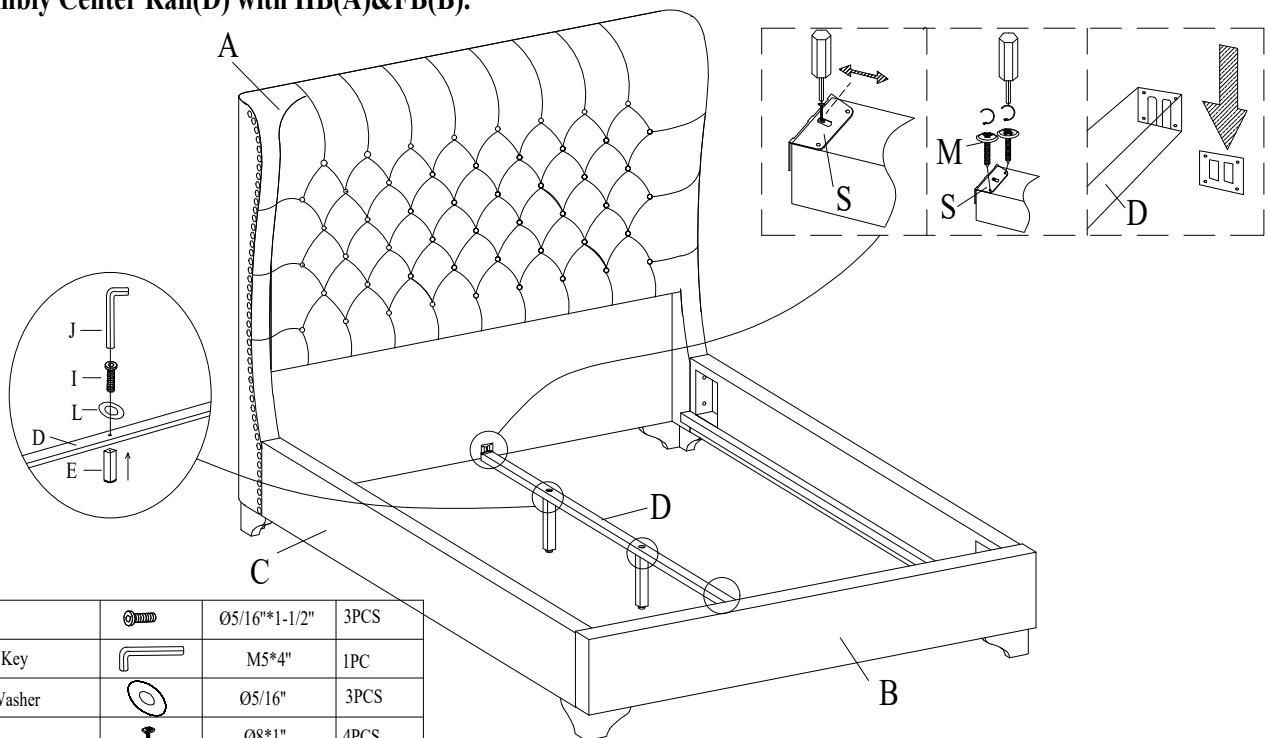
Step3: Assembly Side Rail(C) with HB(A)&FB(B).



L	Flat Washer		Ø5/16"	8PCS
K	Spring Washer		Ø5/16"	8PCS
O	Spanner		M12	1PC
P	Nut		M8	8PCS

H	Bolt		5/16"*4"	8PCS
---	------	--	----------	------

Step4: Assembly Center Rail(D) with HB(A)&FB(B).



I	Bolt		Ø5/16"*1-1/2"	3PCS
J	Allen Key		M5*4"	1PC
L	Flat Washer		Ø5/16"	3PCS
M	Screw		Ø8*1"	4PCS

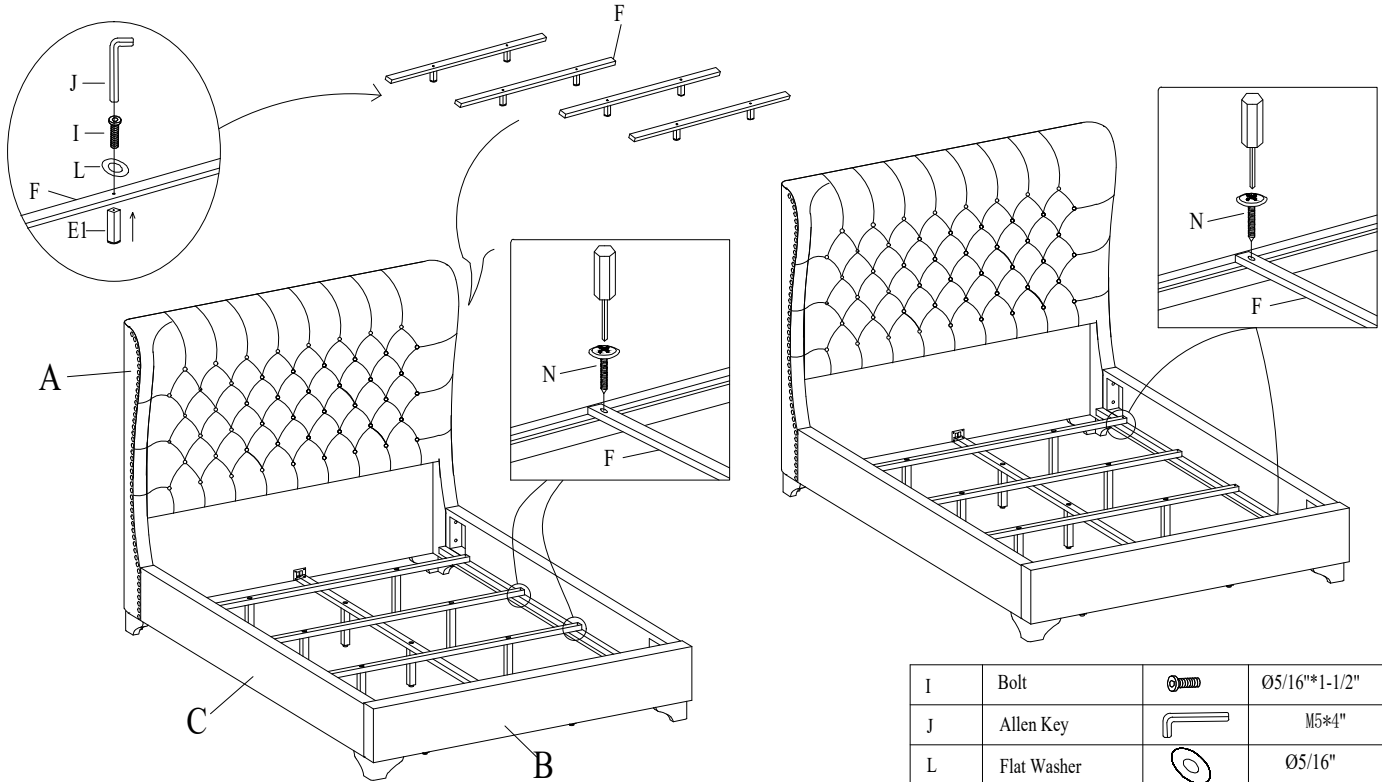
ASSEMBLY INSTRUCTIONS

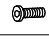



Item No: BCHL#8000 / BCHL#9000 / BCHL#9500

Description: CHLOE QUEEN/KING/CAL.KING BED

Thank you for purchasing this quality product. Be sure to check all packing material carefully for small parts that may have come loose inside the carton during shipment.

Step 5: Assembly slat(F) with side Rail(C).



I	Bolt		Ø5/16"*1-1/2"	8PCS
J	Allen Key		M5*4"	1PC
L	Flat Washer		Ø5/16"	8PCS
N	Screw		Ø8*1-1/2"	8PCS

Step 6: Completed assembly for a regular bed.

