



Parker House
FURNITURE

Assembly Instruction

Item No: BAME#1250HB-COT / BAME#1250FB-COT / BAME#125066R-COT
Description : Queen 5/0 Shelter Headboard
Queen 5/0 Shelter Footboard w/drawers, slats & legs
Queen/King Shelter Rails w/ctr support & legs

**AMERICANA
MODERN
BEDROOM**

2023-01-05

IMPORTANT SAFETY NOTICE: READ CAREFULLY BEFORE BEGINNING ASSEMBLY!

- *Always use proper tools.
- *Follow the assembly steps in order. Do not skip any steps.
- *Be sure to check all packing materials carefully for small parts may have come loose inside the carton during shipment. If parts are missing, contact the retailer from which you purchased the product to obtain any missing parts. **DO NOT USE SUBSTITUTE PARTS.**
- *Periodically check to ensure that all connectors (bolts, screws, etc.) are tight.
- *Keep the instructions for future reference.
- *Some assembly may involve attaching glass or mirrors. Be very careful handling the glass or mirrors, as severe injury may result if the glass or mirror breaks. Never handle large pieces of glass or mirrors by yourself.
- *When assembling products that have electric cords (lamps, light, etc.), always (1) make sure the electrical cord is unplugged before assembly and (2) be careful not to twist the electrical cord during assembly.
- *When assembling shelves or entertainment centers, do not stand on lower shelves in order to assemble upper shelves-use a step ladder.
- *Do not stand on tables, sit on tables or lay down on tables, including but not limited to, end tables, coffee tables, dinner tables as tables are not to support the weight of a person.
- *Where assembly instructions state that the assembly requires two or more people, do not attempt by yourself as there is a risk of injury.

NOTE : SIGNATURE DESIGN FURNITURE, LLC. DISCLAIMS ANY LIABILITY FOR DAMAGES OR INJURIES WHICH MAY OCCUR DUE TO FAILURE TO PROPERLY FOLLOW ASSEMBLY INSTRUCTIONS, PROPERLY ASSEMBLE THE PRODUCT, OR PROPERLY USE THE PRODUCT.

Hardware List : Headboard

| NO | Description | Sketch | QTY |
|----|--------------------------------|--------|-------|
| A | Allen Wrench 5/32" (4mm) | | 1pcs |
| B | Lock Washer Ø5/16" | | 12pcs |
| C | Flat Washer Ø5/16"x3/4" (19mm) | | 12pcs |
| D | Bolt Ø5/16"*1-3/4"mm (45mm) | | 12pcs |

Hardware List : Footboard

| NO | Description | Sketch | QTY |
|----|-------------------------------|--------|-------|
| E | Allen Wrench 5/32" (4mm) | | 1pcs |
| F | Lock Washer Ø1/4" | | 3pcs |
| G | Flat Washer Ø1/4"x5/8" (16mm) | | 3pcs |
| H | Bolt Ø1/4"*1-3/4"mm (45mm) | | 3pcs |
| I | Screw Cap Ø3*1-1/8"(30mm) | | 26pcs |

PARTS LIST

| BAME#1250HB-COT Queen 5/0 Shelter Headboard | | |
|--|----------------------------|---------------------------|
| PANEL HEADBOARD(1PC) | HEADBOARD LEFT LEG(1PC) | |
| ① | ② | |
| HEADBOARD RIGHT LEG(1PC) | HEADBOARD BOTTOM RAIL(1PC) | |
| ③ | ④ | |
| BAME#1250FB-COT Queen 5/0 Shelter Footboard w/drawers, slats & legs | | |
| FOOTBOARD(1PC) | SLAT(1SET) | SLAT SUPPORT LEGS (6PCS) |
| ⑤ | ⑥ | ⑦ |
| BAME#125066R-COT Queen/King Shelter Rails w/ctr support & legs | | |
| SIDE RAIL (2PCS) | | CENTER SUPPORT RAILS(1PC) |
| ⑧ | | ⑨ |
| SUPPORT LEGS 1 (2PCS) | | SUPPORT LEG 2 (1PC) |
| ⑩ | | ⑪ |

NOTE: UNIT SHOULD BE ASSEMBLED BY TWO OR MORE PEOPLE.



Parker House
FURNITURE

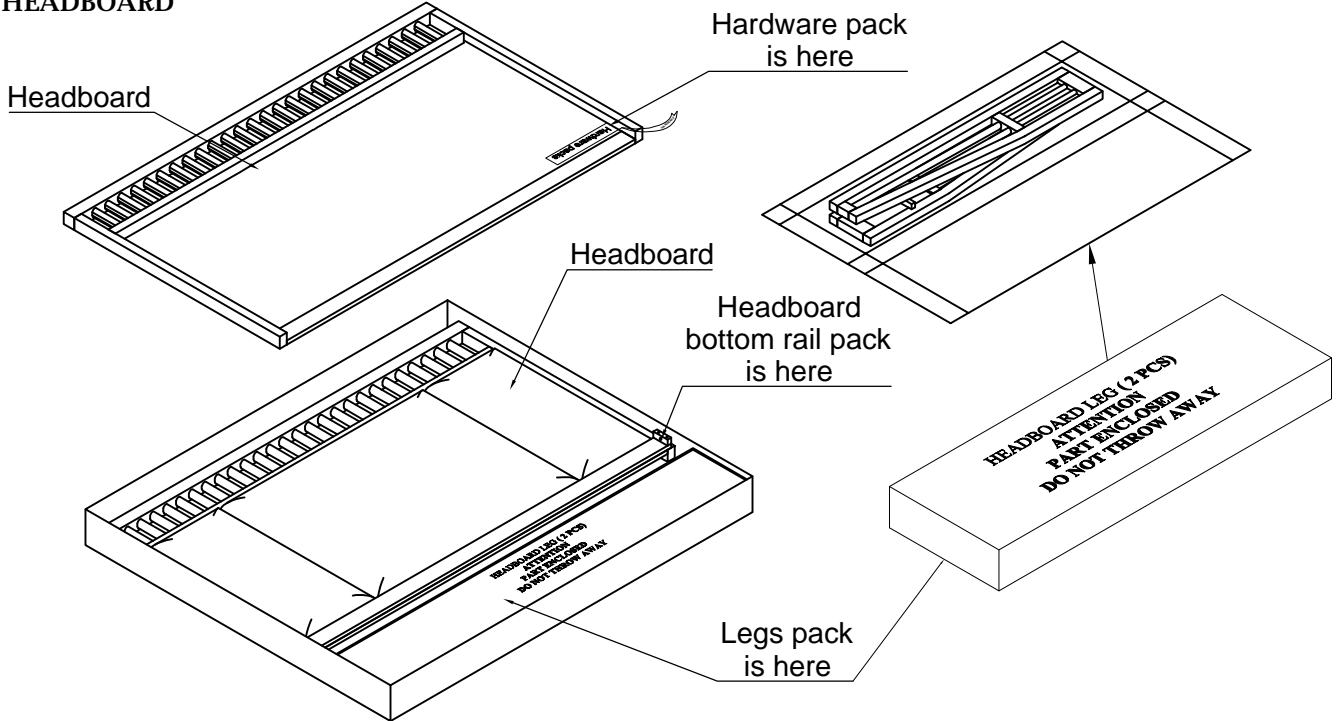
Assembly Instruction

Item No: BAME#1250HB-COT / BAME#1250FB-COT / BAME#125066R-COT
Description : Queen 5/0 Shelter Headboard
Queen 5/0 Shelter Footboard w/drawers, slats & legs
Queen/King Shelter Rails w/ctr support & legs

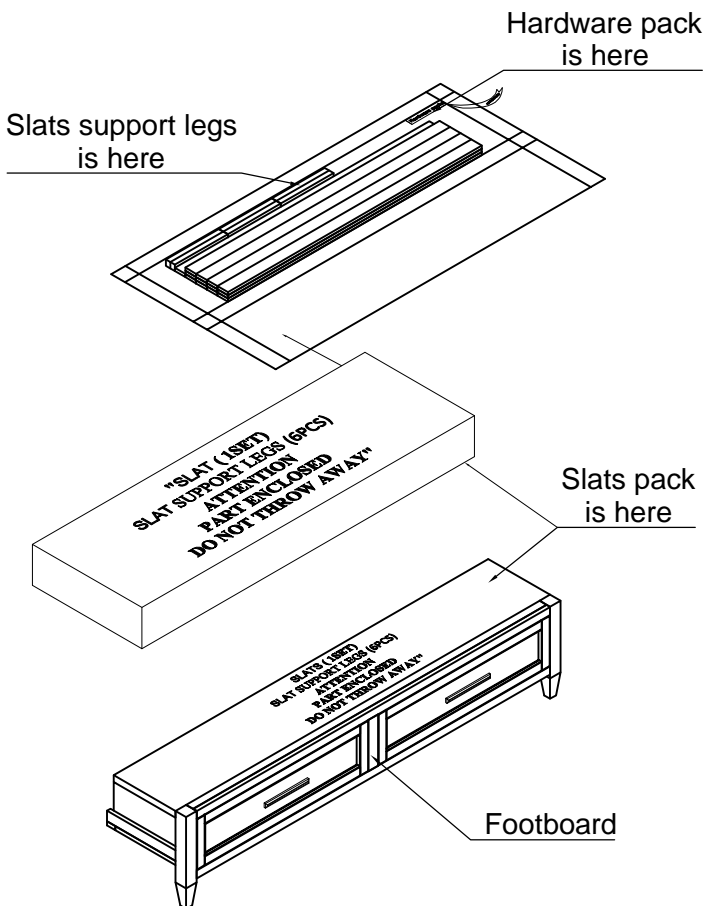
**AMERICANA
MODERN
BEDROOM**

2023-02-03

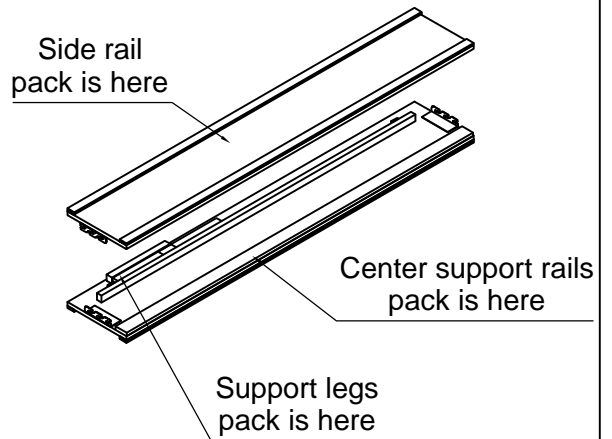
HEADBOARD



FOOTBOARD



QUEEN/KING RAILS





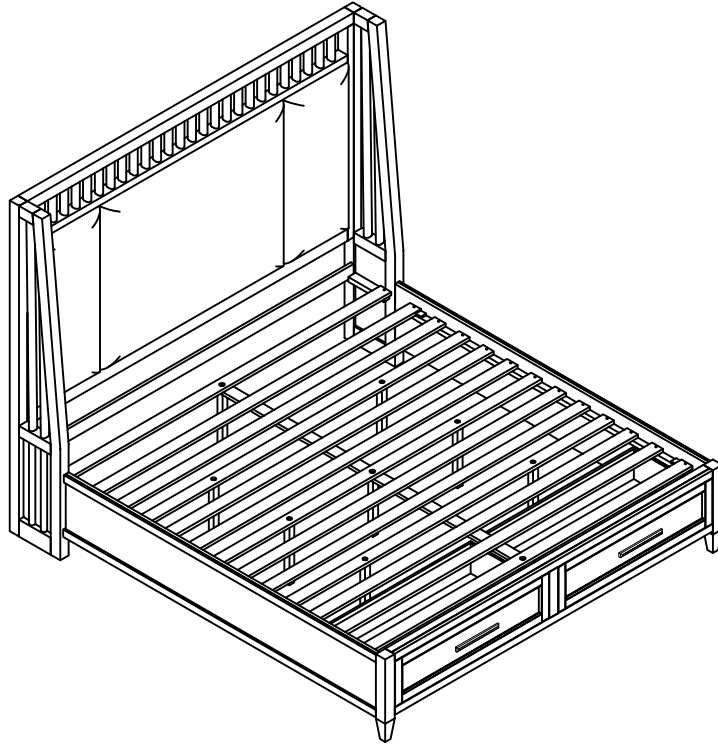
Parker House
FURNITURE

Assembly Instruction

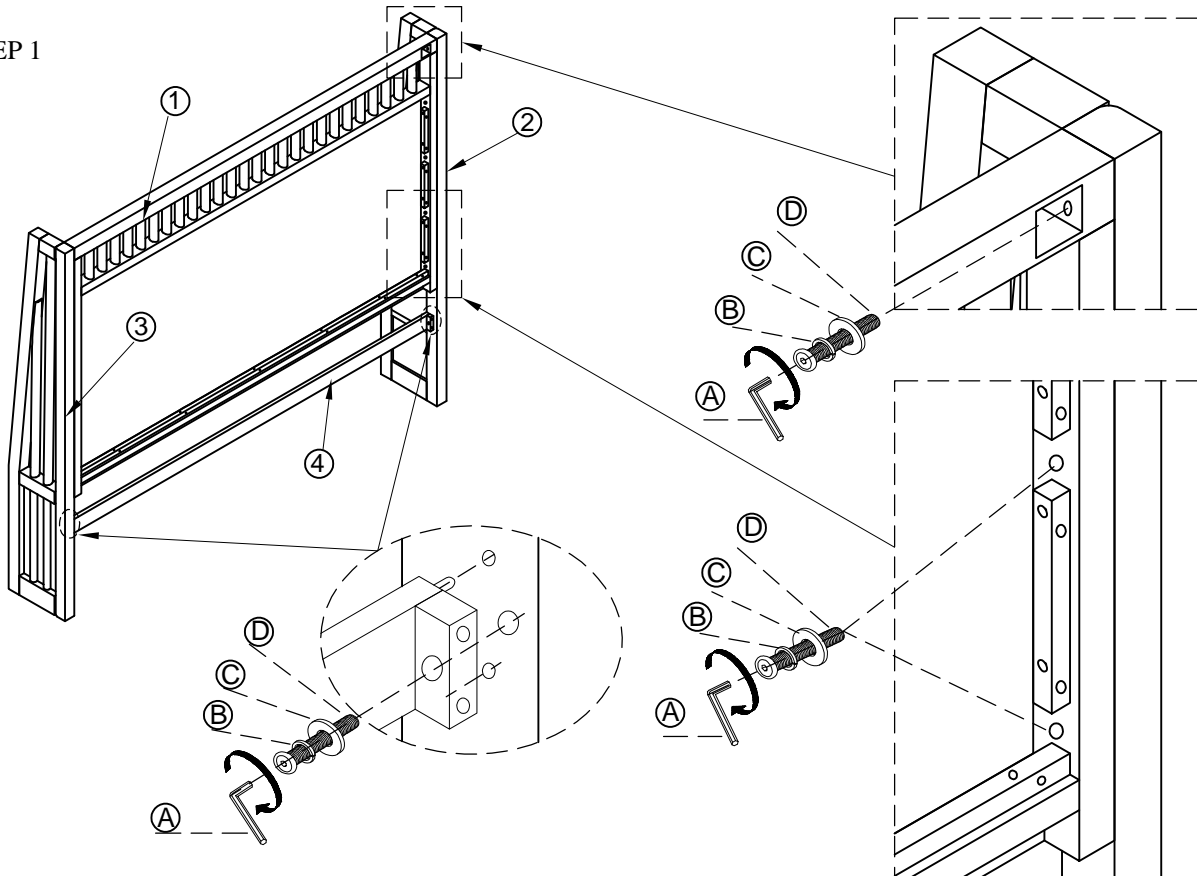
Item No: BAME#1250HB-COT / BAME#1250FB-COT / BAME#125066R-COT
Description : Queen 5/0 Shelter Headboard
Queen 5/0 Shelter Footboard w/drawers, slats & legs
Queen/King Shelter Rails w/ctr support & legs

AMERICANA
MODERN
BEDROOM

2023-01-05



STEP 1





Parker House
FURNITURE

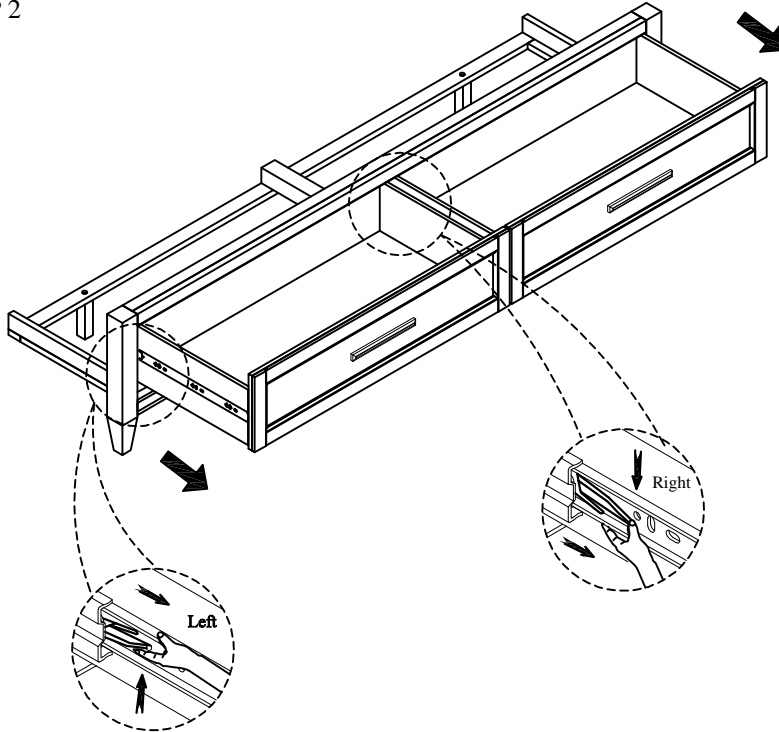
Assembly Instruction

Item No: BAME#1250HB-COT / BAME#1250FB-COT / BAME#125066R-COT
Description : Queen 5/0 Shelter Headboard
Queen 5/0 Shelter Footboard w/drawers, slats & legs
Queen/King Shelter Rails w/ctr support & legs

**AMERICANA
MODERN
BEDROOM**

2023-01-05

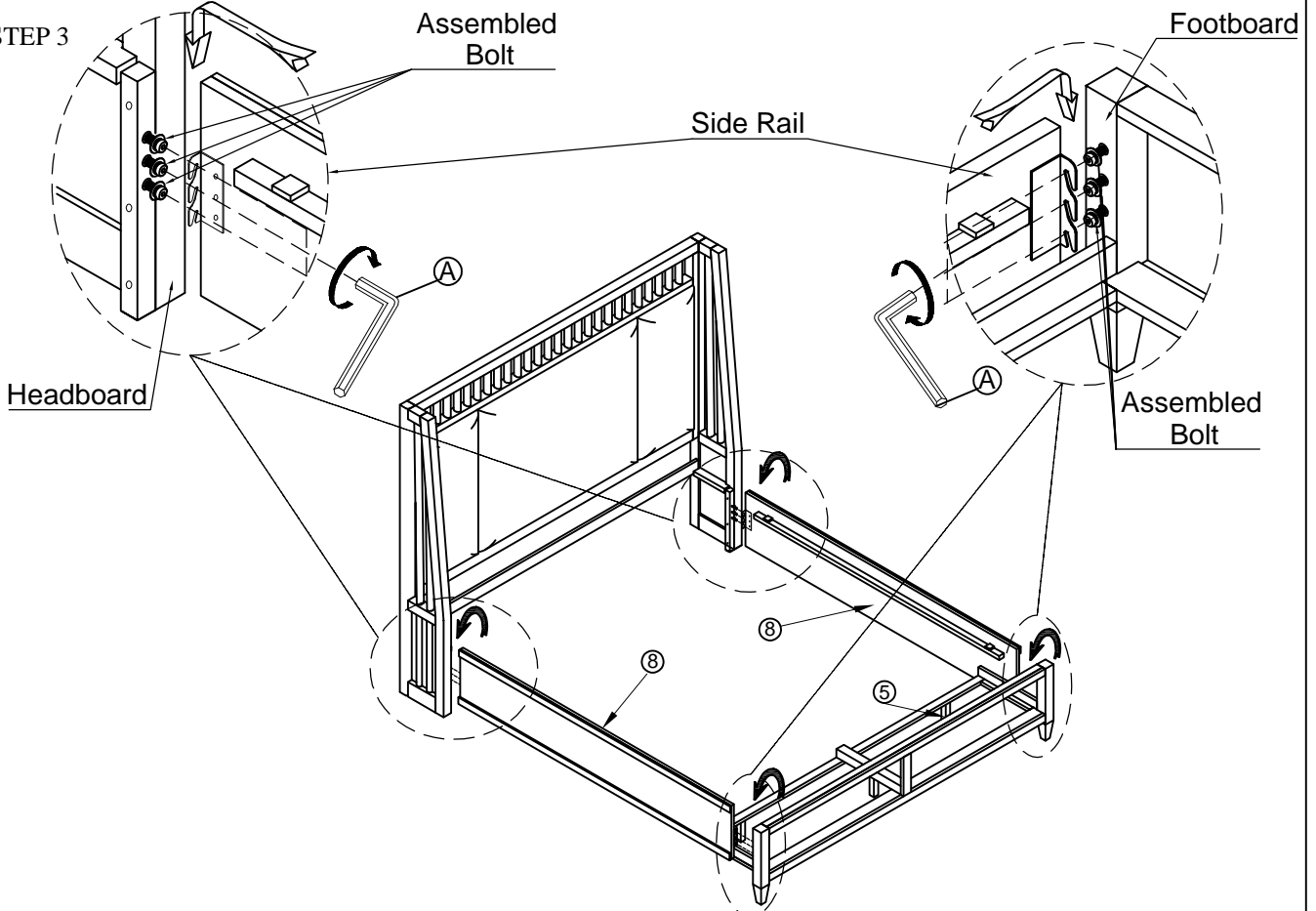
STEP 2



To remove the drawer:

- A. Pull the drawer fully open so the black lever is visible in the inside channel of the guides.
- B. Push 'down' on the right lever and 'up' on the left lever. While holding levers in place, pull drawer forward until slides release. If the slides will not release, push both levers in opposite directions.

STEP 3





Parker House
FURNITURE

Assembly Instruction

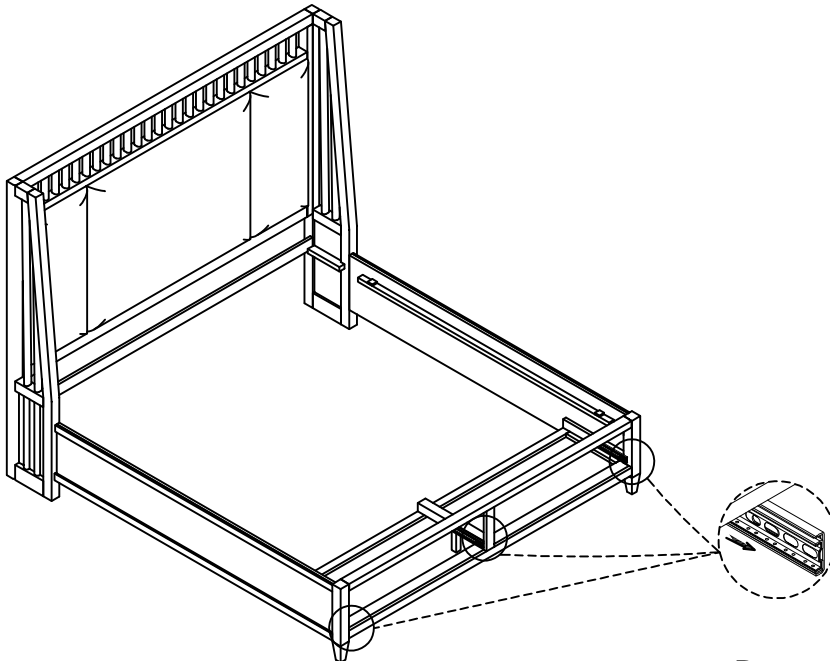
Item No: BAME#1250HB-COT / BAME#1250FB-COT / BAME#125066R-COT

Description : Queen 5/0 Shelter Headboard
Queen 5/0 Shelter Footboard w/drawers, slats & legs
Queen/King Shelter Rails w/ctr support & legs

AMERICANA
MODERN
BEDROOM

2023-01-05

STEP 4

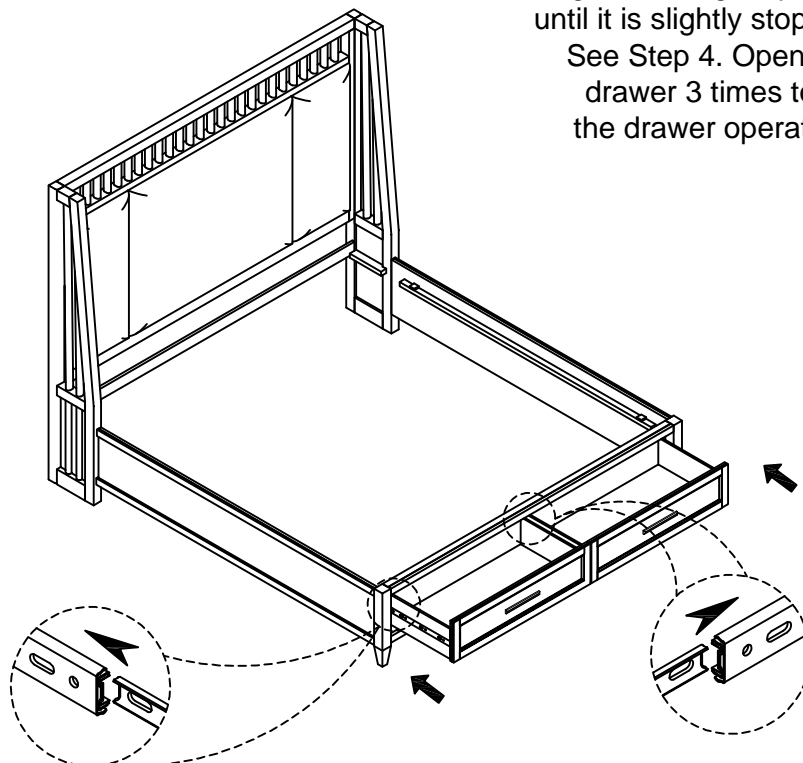


Re-assemble the drawers onto the slide system of the Footboard. Assemble the drawer back into its original position of the Footboard(5) by aligning the metal glides.

Make sure that both sides are properly aligned then gently push the drawer until it is slightly stopped by the slide.

See Step 4. Open and close the drawer 3 times to make sure the drawer operates smoothly.

STEP 5





Parker House
FURNITURE

Assembly Instruction

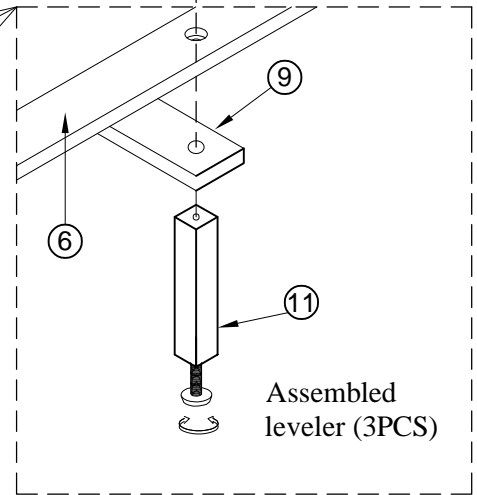
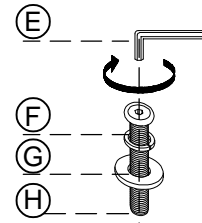
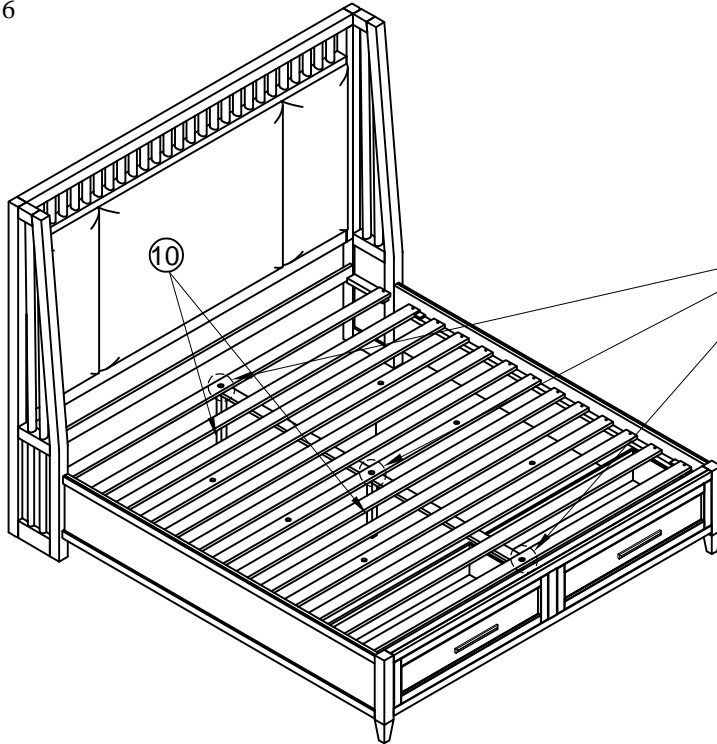
Item No: BAME#1250HB-COT / BAME#1250FB-COT / BAME#125066R-COT

Description : Queen 5/0 Shelter Headboard
Queen 5/0 Shelter Footboard w/drawers, slats & legs
Queen/King Shelter Rails w/ctr support & legs

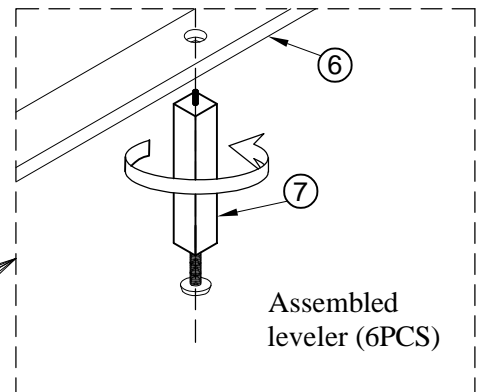
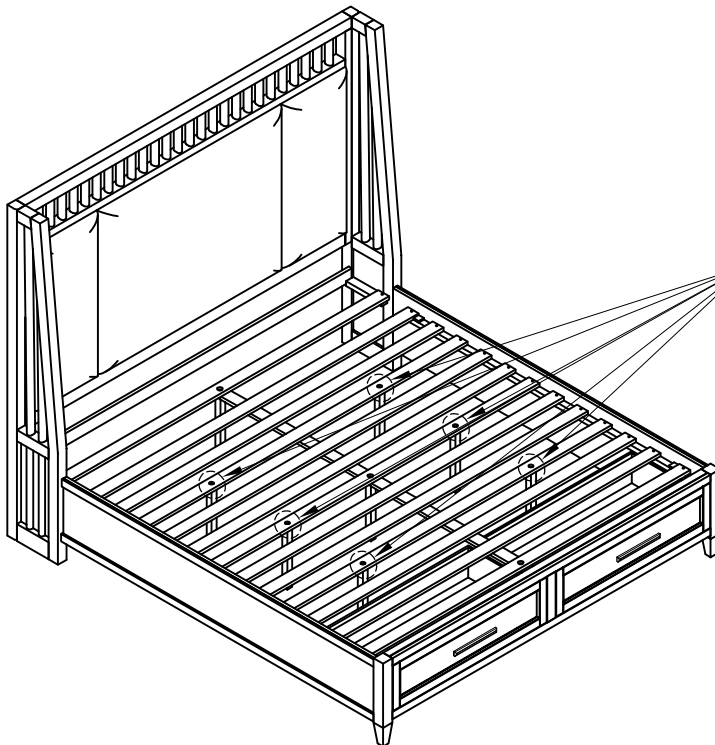
AMERICANA
MODERN
BEDROOM

2023-01-05

STEP 6



STEP 7





Parker House
FURNITURE

Assembly Instruction

Item No: BAME#1250HB-COT / BAME#1250FB-COT / BAME#125066R-COT

Description : Queen 5/0 Shelter Headboard
Queen 5/0 Shelter Footboard w/drawers, slats & legs
Queen/King Shelter Rails w/ctr support & legs

AMERICANA
MODERN
BEDROOM

2023-01-05

STEP 8

