



Parker House  
FURNITURE

# Assembly Instruction

Item No: AME#92 / #92HP / #92HB

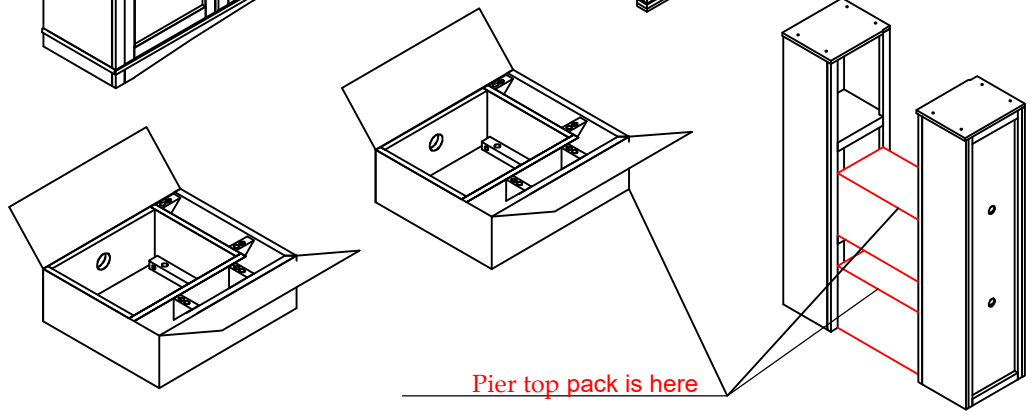
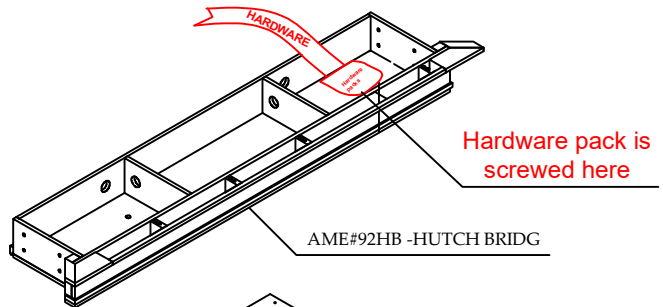
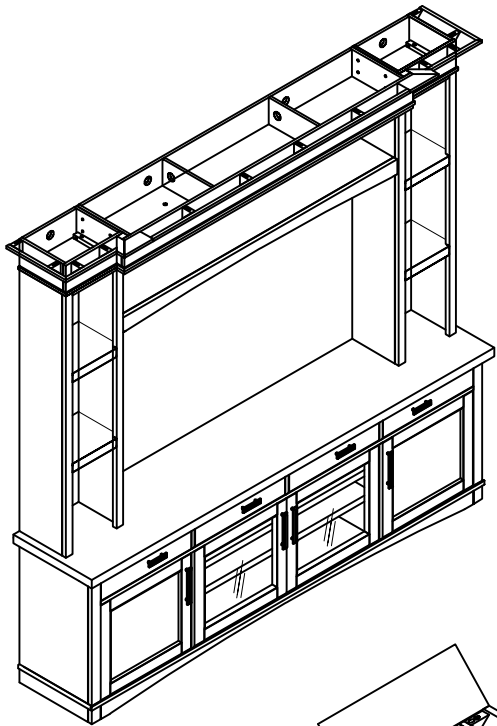
Description : 92" TV CONSOLE W / POWER CENTER / HUTCH PIER / HUTCH BRIDG

## HARDWARE LIST

## PARTS LIST

No	Description	Sketch	Q'TY
A	Allen Wrench 4mm		1PC
B	Bolt Ø1/4x1-1/4 "		16PCS
C	Spring Washer Ø1/4"		16PCS
D	Flat Washer Ø1/4x16mm		16PCS
E	Wood Screw Ø8x1/2"		4PCS
F	Wood Screw Ø8x3/4"		4PCS
G	Anti-tip hardware		1SET

AME#92 -92" TV CONSOLE W/POWER CENTER : 1PC		
AME#92HB -HUTCH BRIDG		
LIGHT BRIDGE:1PC	BACK PANEL:1PC	ADJUSTABLE SHELF:1PC
②	③	④
AME#92HP -HUTCH PIERS		
LEFT PIER TOP:1PC	RIGHT PIER TOP:1PC	
⑤	⑥	
LEFT PIER BASE:1PC	RIGHT PIER BASE:1PC	
⑦	⑧	





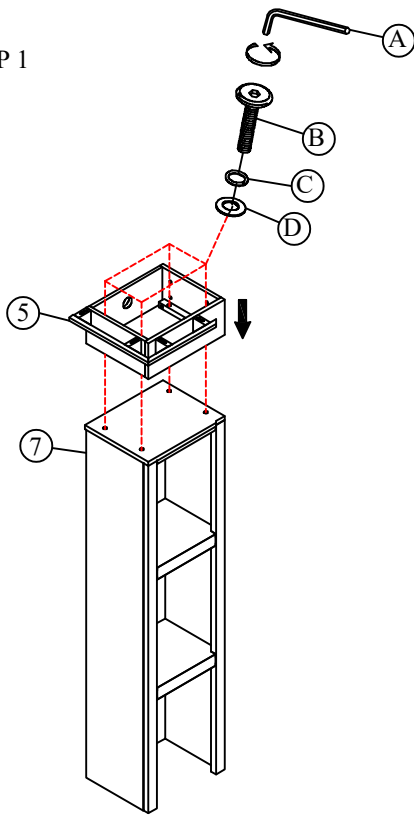
ParkerHouse®  
FURNITURE

# Assembly Instruction

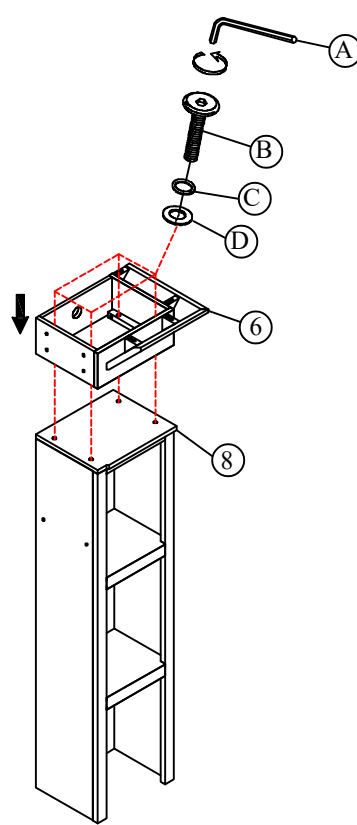
Item No: AME#92 / #92HP / #92HB

Description : 92" TV CONSOLE W / POWER CENTER / HUTCH PIERS / HUTCH BRIDG

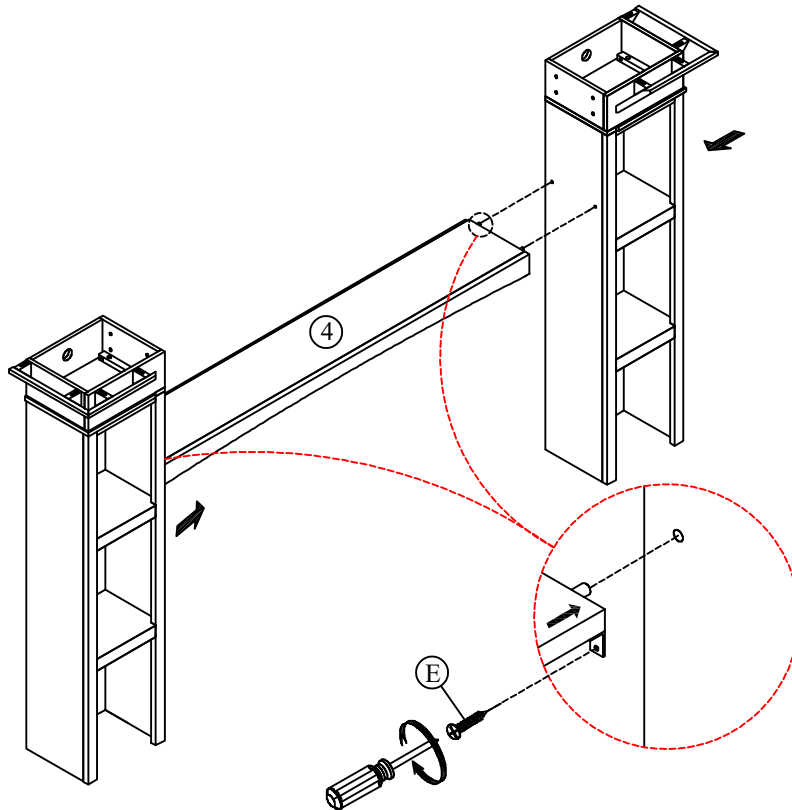
STEP 1



STEP 2



STEP 3



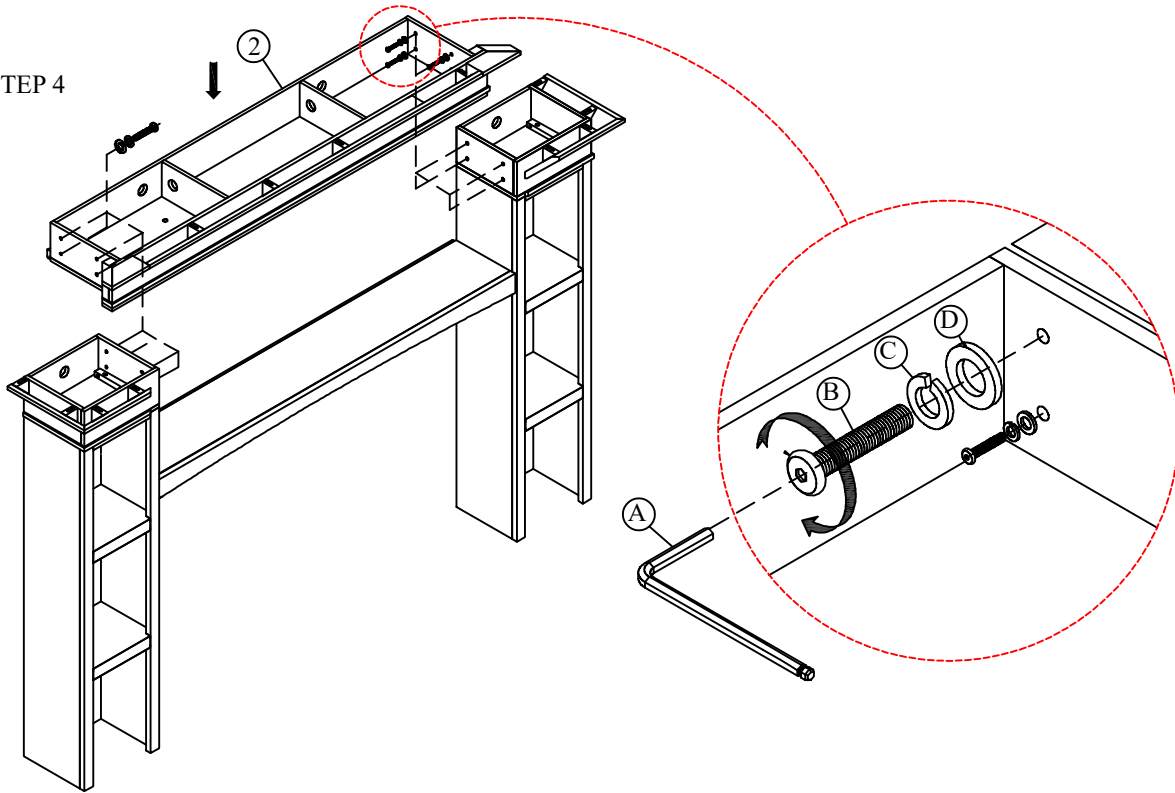


# Assembly Instruction

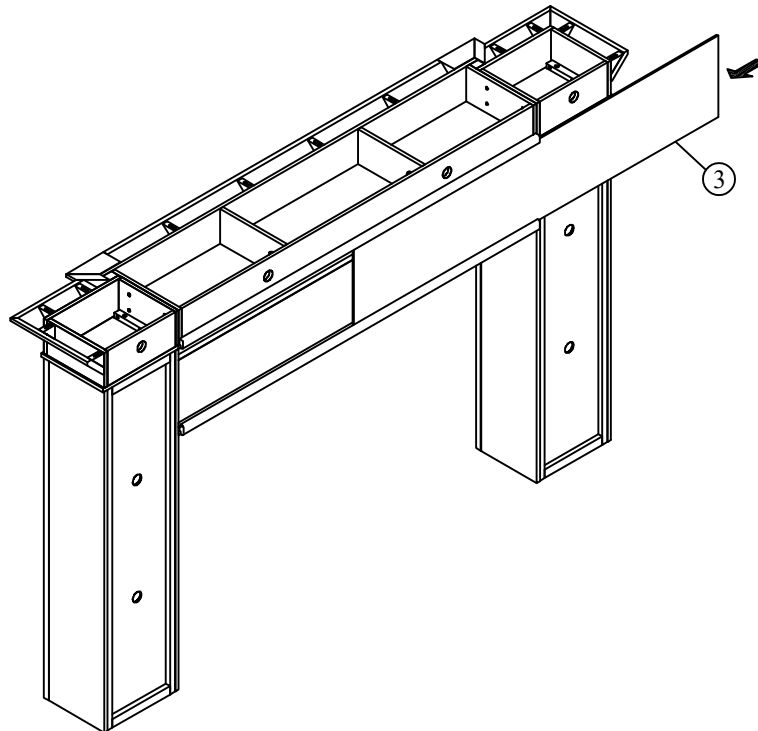
Item No: AME#92 / #92HP / #92HB

ParkerHouse® Description : 92" TV CONSOLE W / POWER CENTER / HUTCH PIERS / HUTCH BRIDG  
FURNITURE

STEP 4



STEP 5



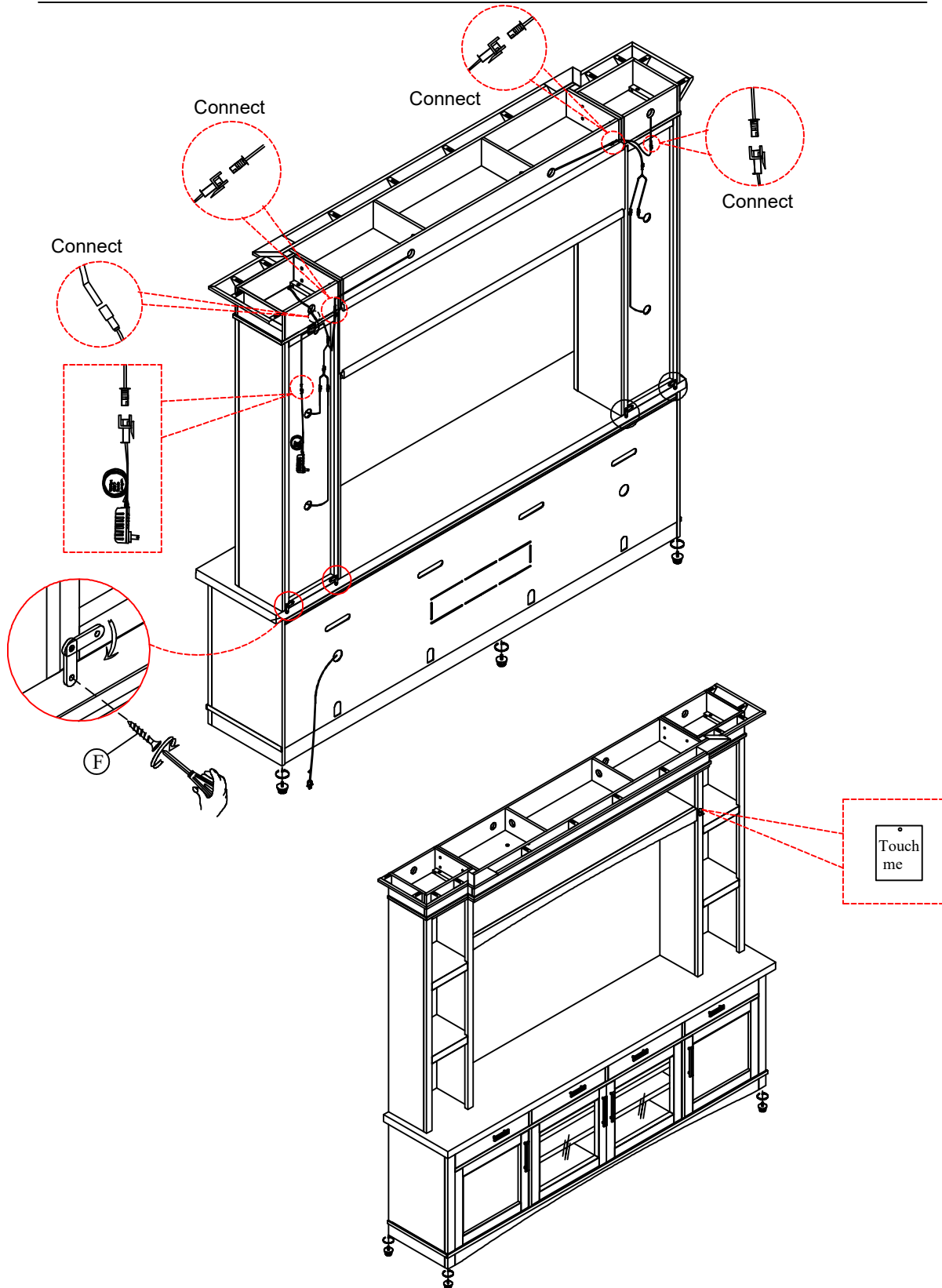


ParkerHouse®  
FURNITURE

# Assembly Instruction

Item No: AME#92 / #92HP / #92HB

Description : 92" TV CONSOLE W / POWER CENTER / HUTCH PIERS / HUTCH BRIDG



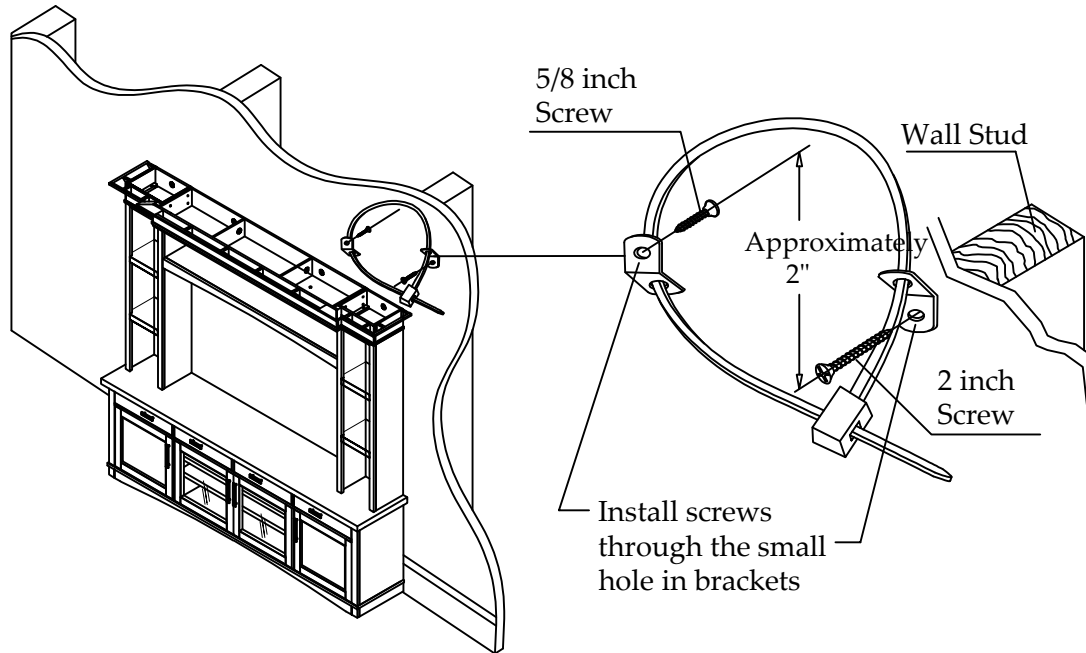
Assembled leveler =6PCS



Parker House®  
FURNITURE

# Anti-Tip Hardware Installation Instructions

Notice: In homes where small children may be present, Parker House recommends that steps be taken for certain furniture items to prevent or minimize the risk of tip-over. This furniture is equipped with Tip-over Restraint Hardware for use to minimize this risk, if used. Please follow below installation steps. Parker House recommends that parents and guardians periodically visit the U.S. Consumer Product Safety Commission (CPSC) website at <http://www.cpsc.gov/> and stay up to date on all issues related to children's product safety.



1. Temporarily locate the furniture to near its final location in the room next to a wall. Locate a wall stud behind your furniture and also mark the stud's location on the back of your furniture.
2. Firmly attach one bracket to the stud approximately 2" below the top of the furniture with the **2 inch long** Wood Screws provided. It may be necessary to drill 3/32 dia. pilot holes for the screws.
3. Firmly attach the other bracket onto a solid, structural part on the back of the furniture using the **5/8 inch long** Wood Screws. It may also be necessary to pilot bore for these screws.
4. Move the furniture into its final position, taking care to line up the wall bracket with the furniture bracket. Thread a strap through the bracket as shown in the illustration. Tighten strap until snug but do not over tighten.

Caution: Parker House assumes no liability for improper installation or excessive loads placed on screws, brackets or straps. Failure to detach this restraint before moving furniture may result in personal injury and property damage.

Warning: This tip-over restraint is not to be a substitute for proper adult supervision. Do not allow children to climb on furniture. Items left on top of the TV and furniture, such as toys, remote controls, and treats might tempt young children to climb. Push the TV as far back as possible from the front of its stand. Place electrical cords out of a child's reach, and teach children not to play with the cords.