



Parker House
FURNITURE

Assembly Instruction

Item No: AME#1026

Description : COUNTER STOOL

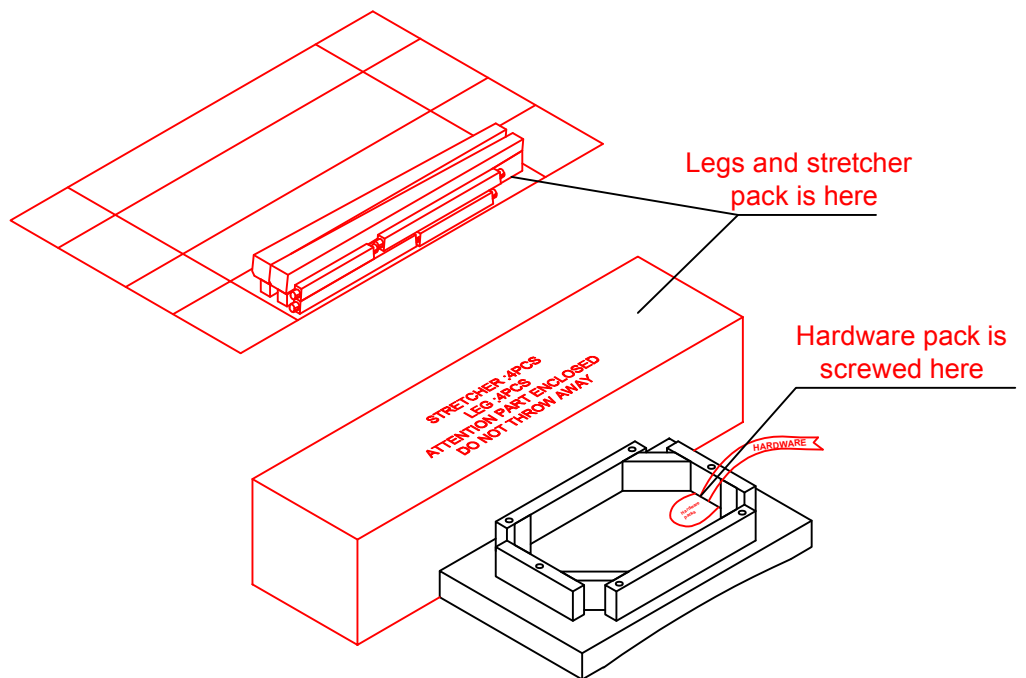
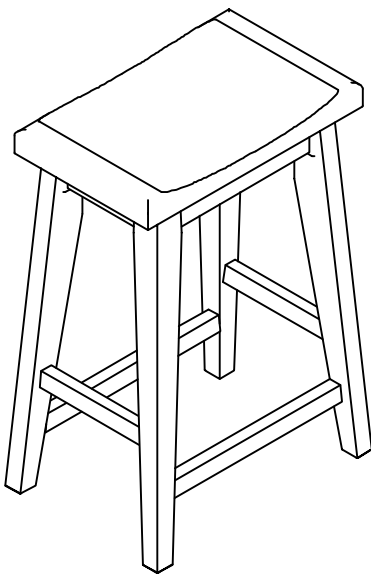
Rev2: 2021-11-12

Rev3: 2023-2-11

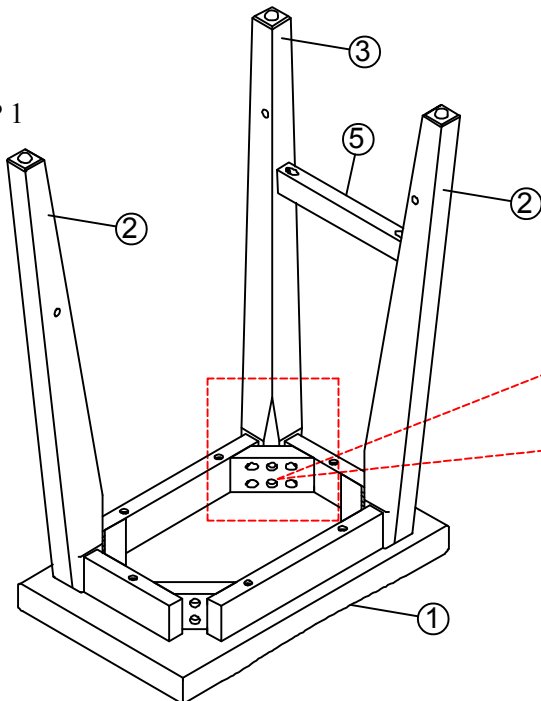
HARDWARE LIST

PARTS LIST

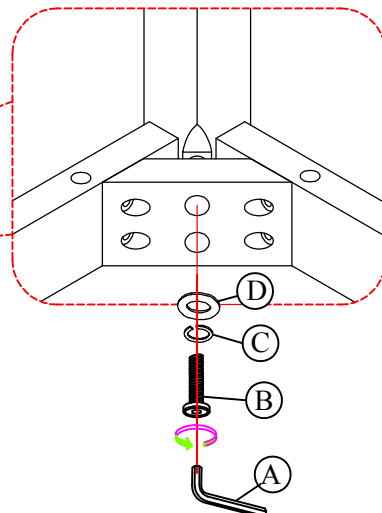
No	Description	Sketch	Q'TY	SEAT FRAME (1PC)	RIGHT LEG (2PCS)	LEFT LEG (2PCS)
A	Allen Wrench 4mm		1PC	①	②	③
B	Bolt (Ø5/16"x2-1/4")		8PCS			
C	Spring Washer Ø5/16"		8PCS	LONG STRETCHER (2PCS)	SHORT STRETCHER (2PCS)	
D	Flat Washer Ø5/16x19mm		8PCS	④	⑤	
E	Wood screw Ø8x1-3/4"(45mm)		8PCS			



STEP 1



* Do not tighten bolts





Parker House
FURNITURE

Assembly Instruction

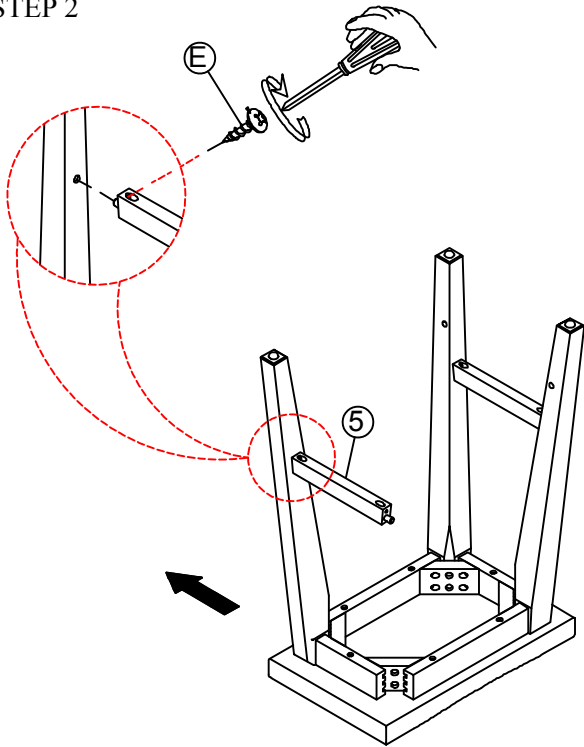
Item No: AME#1026

Description : COUNTER STOOL

Rev2: 2021-11-12

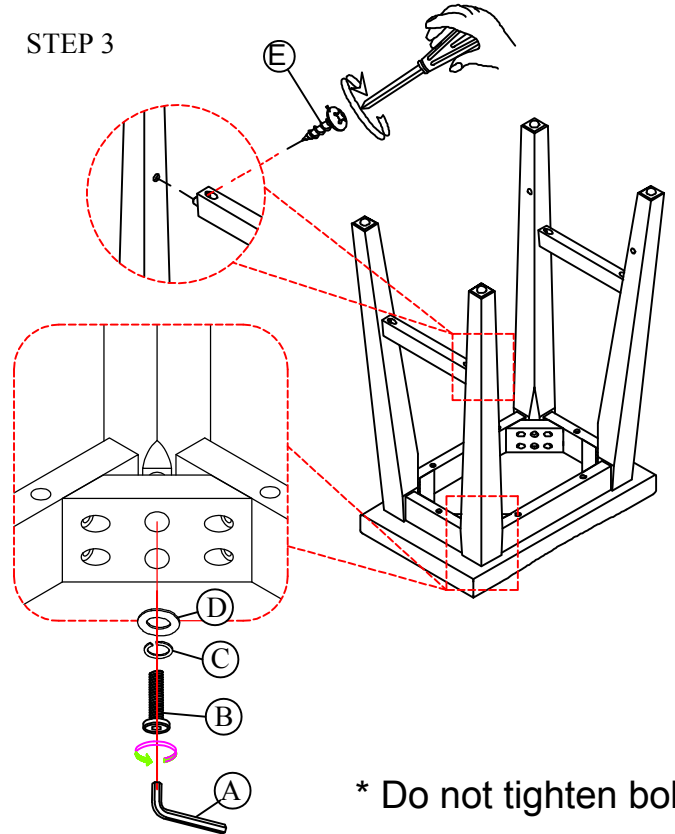
Rev3: 2023-2-11

STEP 2



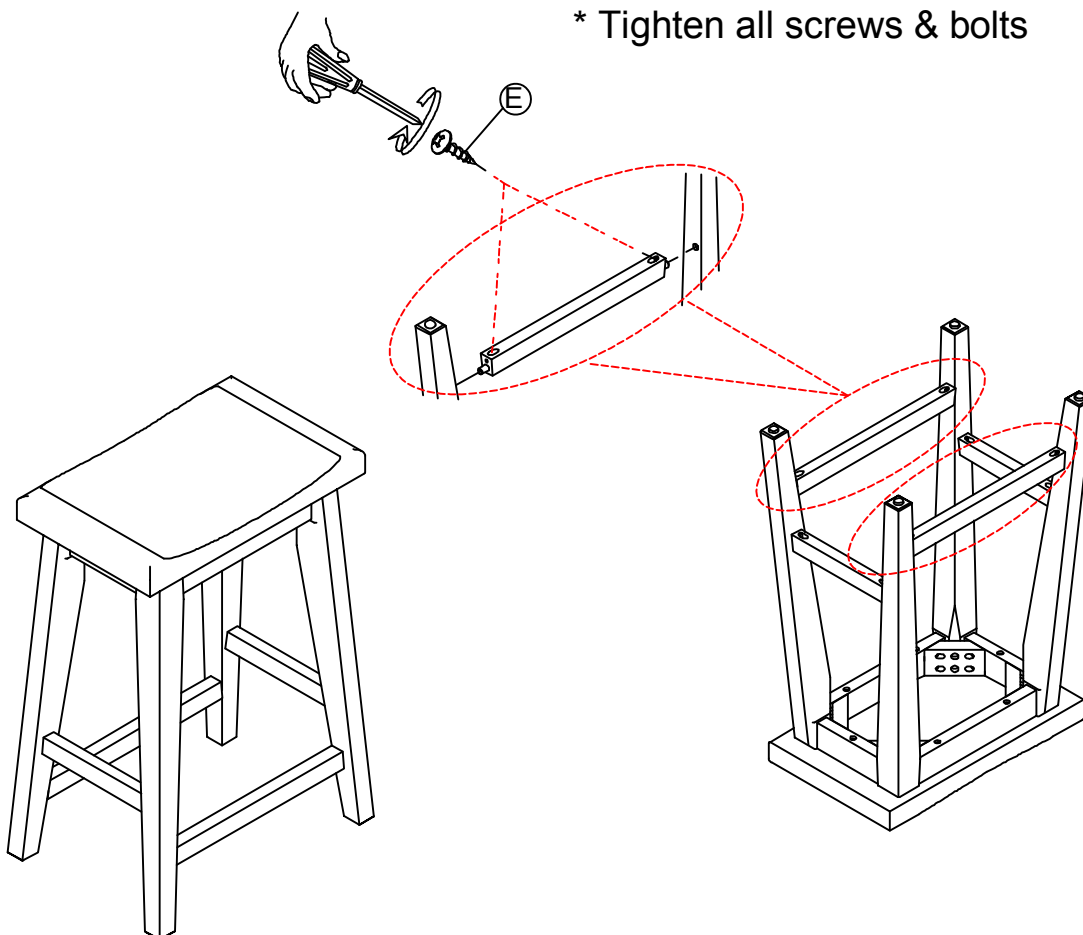
* Do not tighten bolts

STEP 3



* Do not tighten bolts

STEP 4



* Tighten all screws & bolts