



Parker House
FURNITURE

Assembly Instruction

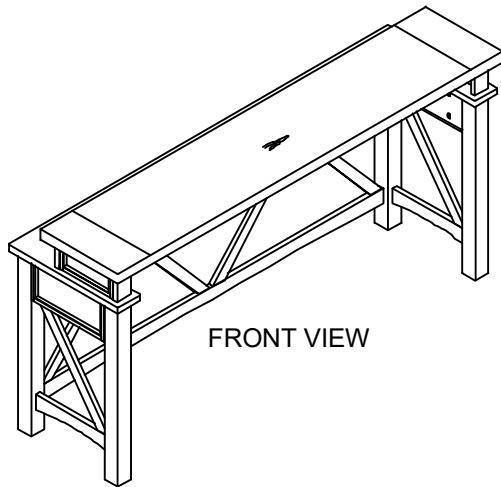
Item No: AME#09

Description : EVERYWHERE CONSOLE TABLE

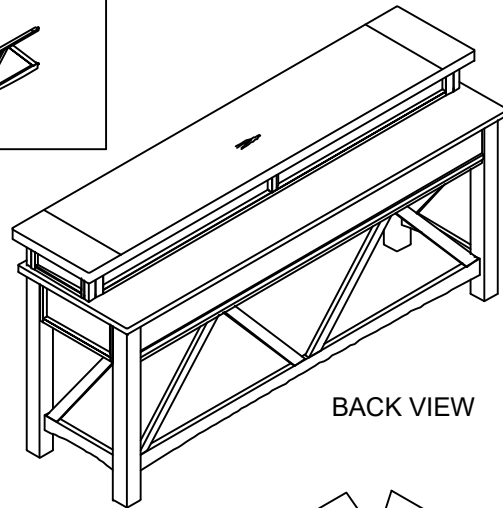
HARDWARE LIST

PARTS LIST

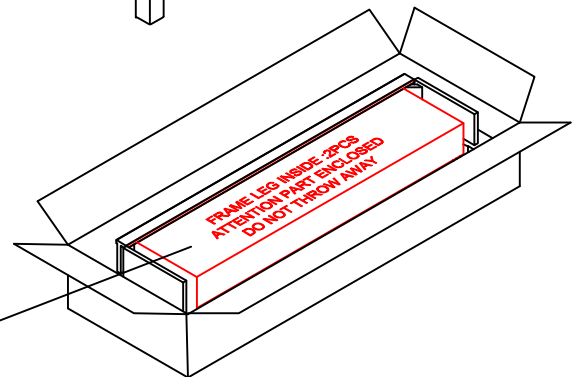
No	Description	Sketch	Q'TY	TABLE TOP (1PC)	LEFT FRAME LEG (1PC)	RIGHT FRAME LEG (1PC)
A	Bolt (Ø5/16"x1-1/8")		12PCS	 STRETCHER (1PC) 		
B	Spring Washer Ø5/16"		12PCS			
C	Flat Washer Ø5/16x16mm		12PCS			
D	Allen Wrench 4mm		1PC			
E	Cover cap plastic (Ø20xØ18x7mmH)		8PCS			
F	Long wood Screw Ø8x1-1/2"		2PCS			
G	Clip plastic		2PCS			
H	Short wood Screw Ø8x5/8"		2PCS			



FRONT VIEW

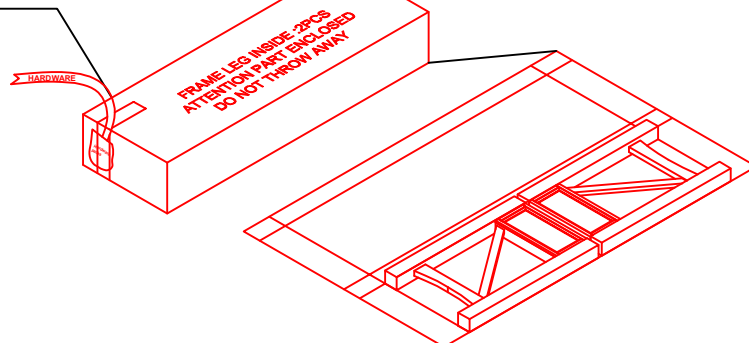


BACK VIEW



Hardware and Frame leg pack is here

Hardware pack is here





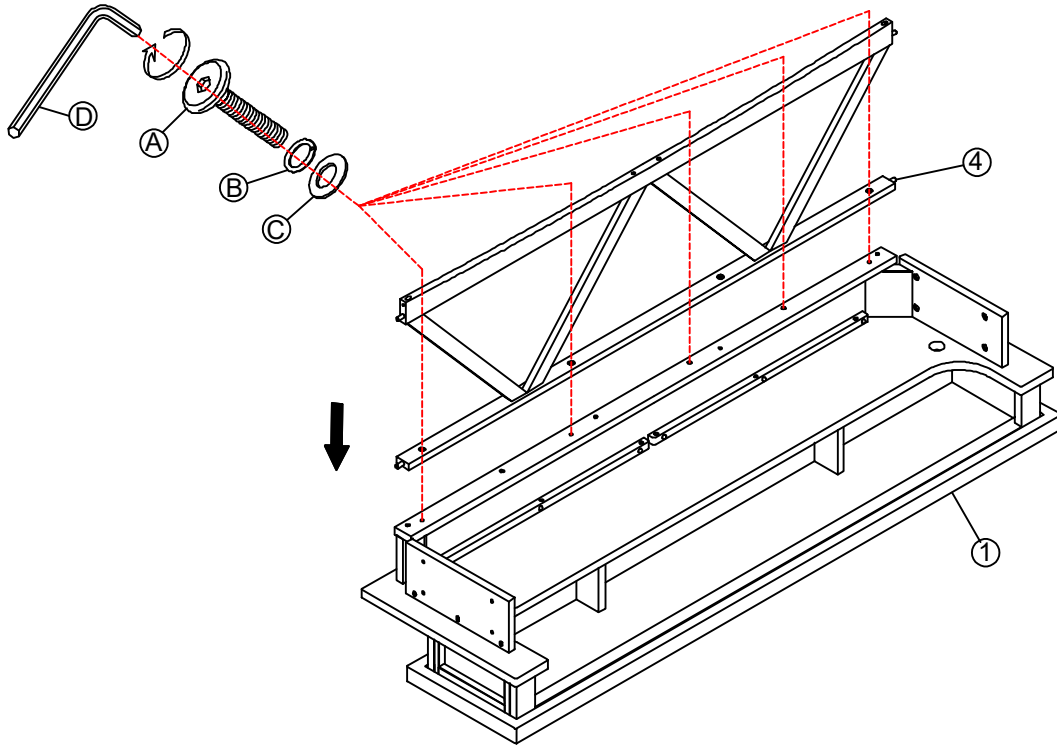
Parker House
FURNITURE

Assembly Instruction

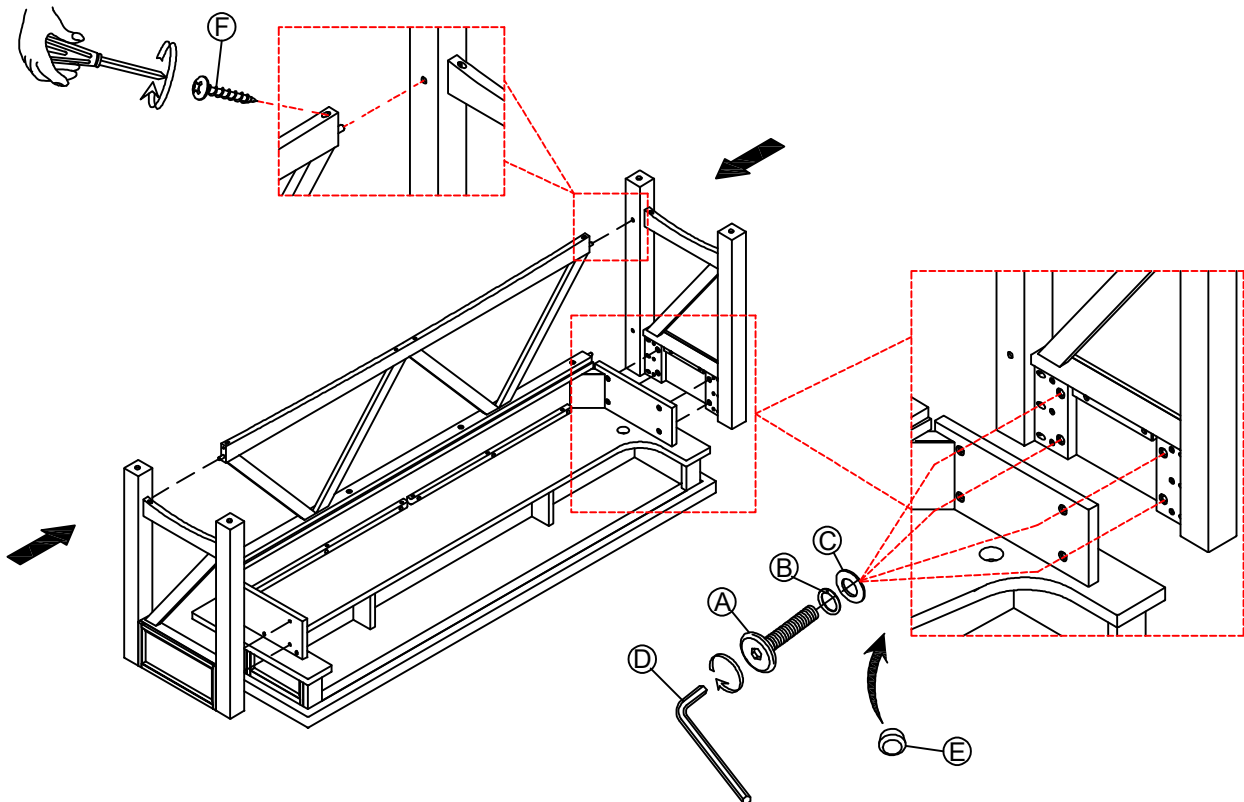
Item No: AME#09

Description : EVERYWHERE CONSOLE TABLE

STEP 1



STEP 2





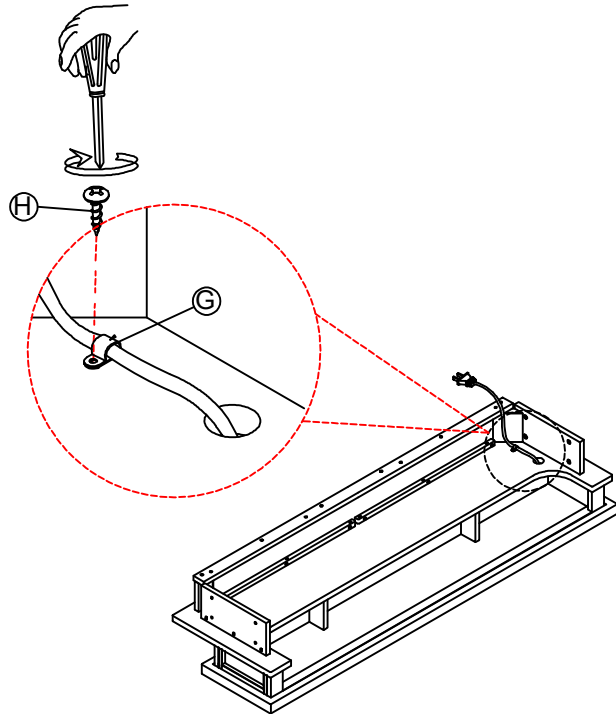
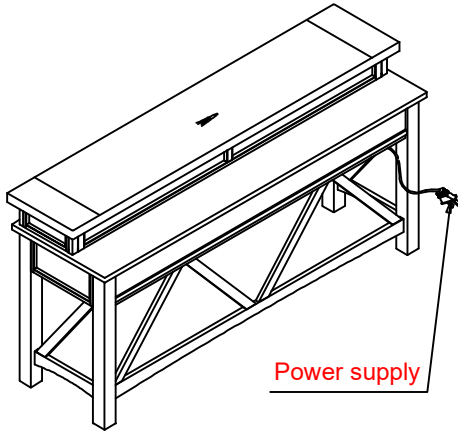
Parker House®
FURNITURE

Assembly Instruction

Item No: AME#09

Description : EVERYWHERE CONSOLE TABLE

OPTION 1: POWER SUOOLY



OPTION 2: POWER SUOOLY

