



Parker House
FURNITURE

Assembly Instruction

Item No: AME#01

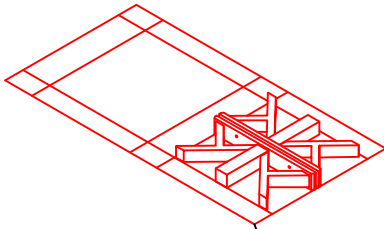
Description : COCKTAIL TABLE

HARDWARE LIST

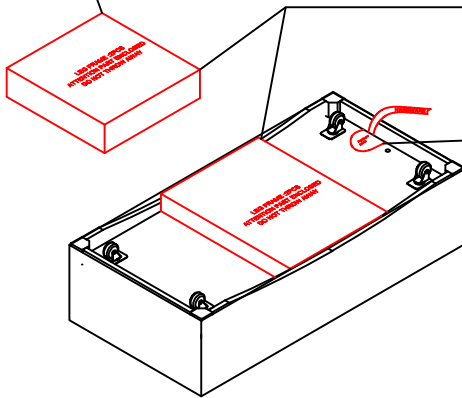
No	Description	Sketch	Q'TY
A	Allen Wrench 4mm		1PC
B	Bolt (Ø5/16"x1-1/2")		10PCS
C	Spring Washer Ø5/16"		10PCS
D	Flat Washer Ø5/16x19mm		10PCS

PARTS LIST

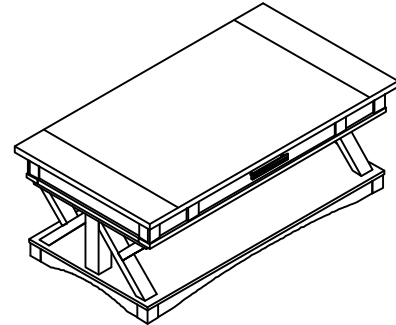
TABLE TOP (1PC)	LEG FRAME (2PCS)	BOTTOM (1PC)
①	②	③



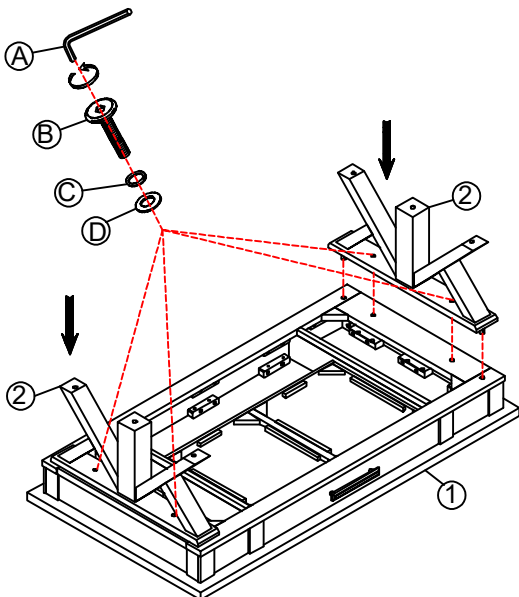
Leg frame pack is here



Hardware pack is screwed here



STEP 1



STEP 2

