

FreeMotion

Motion Furniture...Unplugged

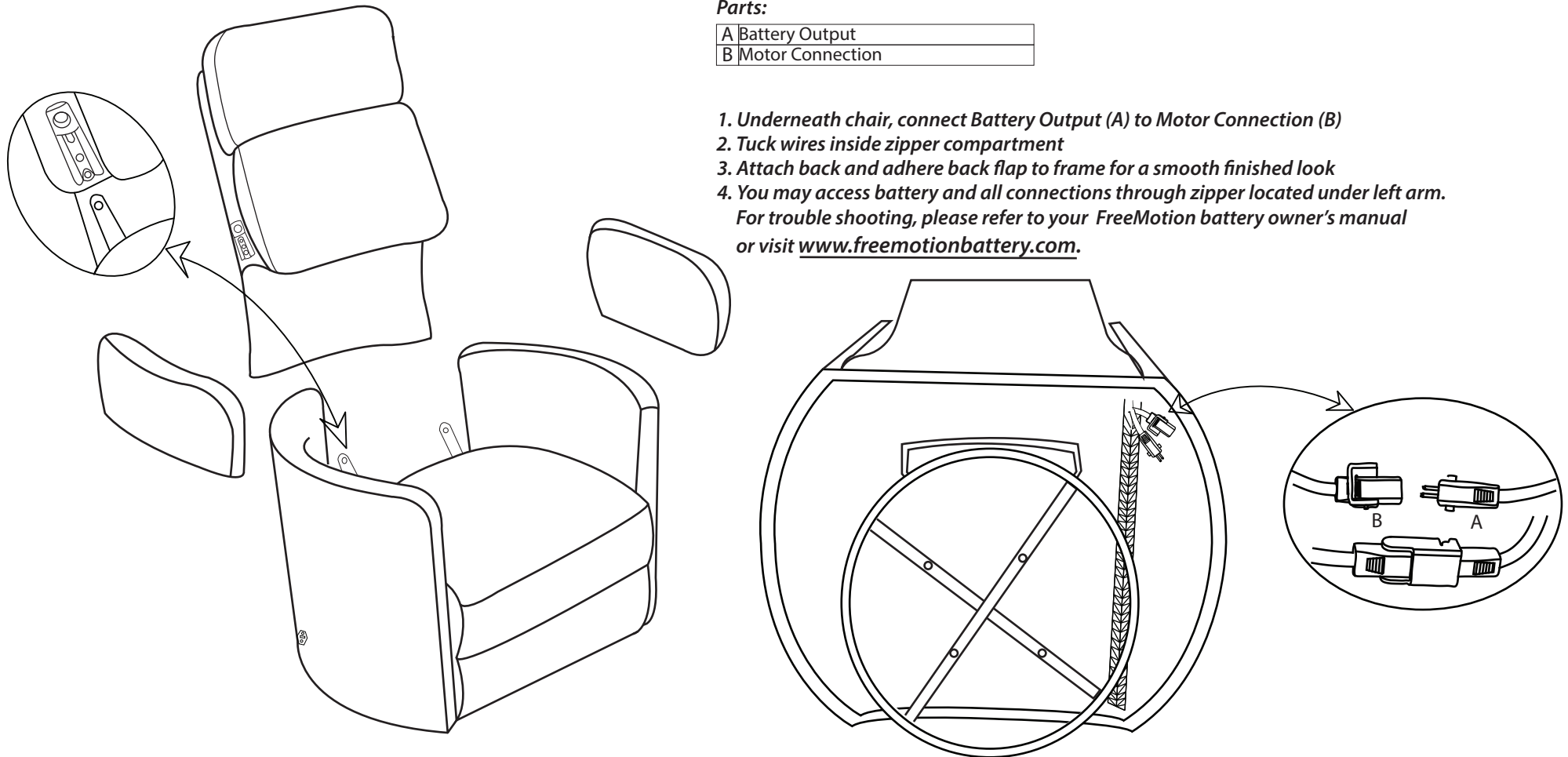


Assembly Instructions for Radius Recliner powered by FreeMotion

Parts:

A	Battery Output
B	Motor Connection

1. Underneath chair, connect Battery Output (A) to Motor Connection (B)
2. Tuck wires inside zipper compartment
3. Attach back and adhere back flap to frame for a smooth finished look
4. You may access battery and all connections through zipper located under left arm.
For trouble shooting, please refer to your FreeMotion battery owner's manual or visit www.freemotionbattery.com.



For further information, including installation videos, please visit www.freemotionbattery.com

Parker Living
A Division of Parker House