



Parker House
FURNITURE






Assembly Instruction

Item No: ADD#374

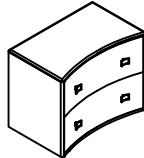

Description : Lateral File

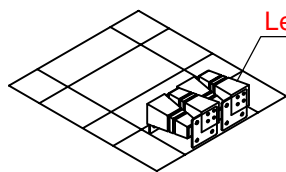
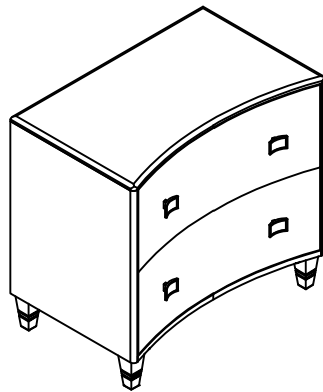
Rev: 2021-11-27

HARDWARE LIST

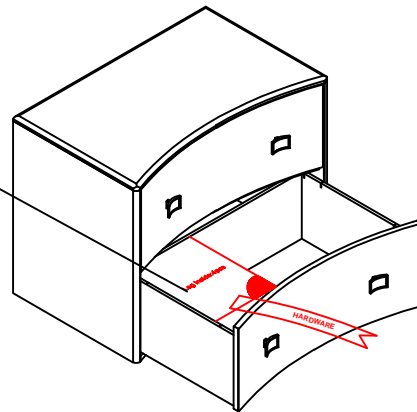
No	Description	Sketch	Q'TY
A	Allen Wrench 4mm		1PC
B	Bolt Ø1/4"x20mm		12PCS
C	Lock Washer Ø1/4"x12mm		12PCS
D	Flat Washer Ø1/4"x19mm		12PCS
E	File rods 740x15x3mm		4PCS

PARTS LIST

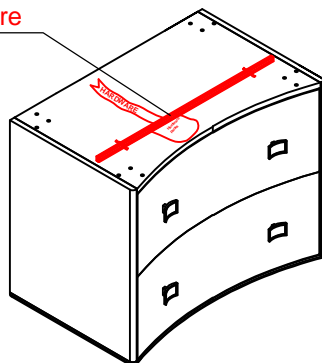
Laterl File body (1PC)	LEG (4PCS)
① 	② 



Leg pack is here



HARDWARE
File rods pack is here





Parker House
FURNITURE

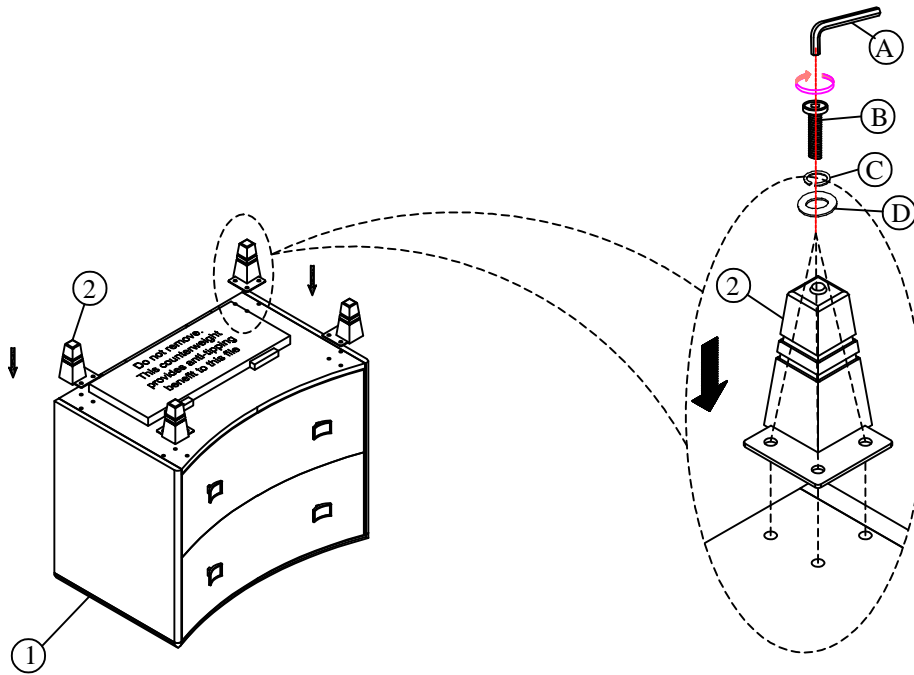
Assembly Instruction

Item No: ADD#374

Description : Lateral File

Rev: 2021-11-27

STEP 1



STEP 2

