

Thank you for choosing a **PALACE IMPORTS** product.
Your total satisfaction is our #1 priority.

Customer Service and Warranty Information

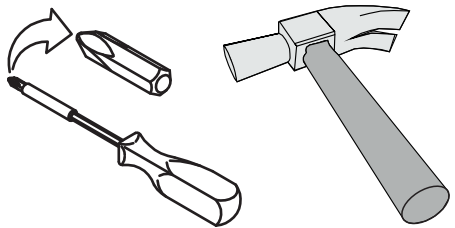
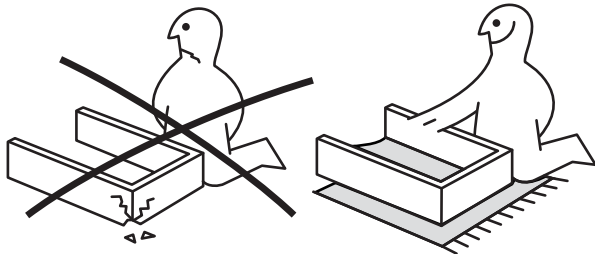
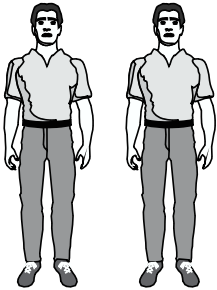
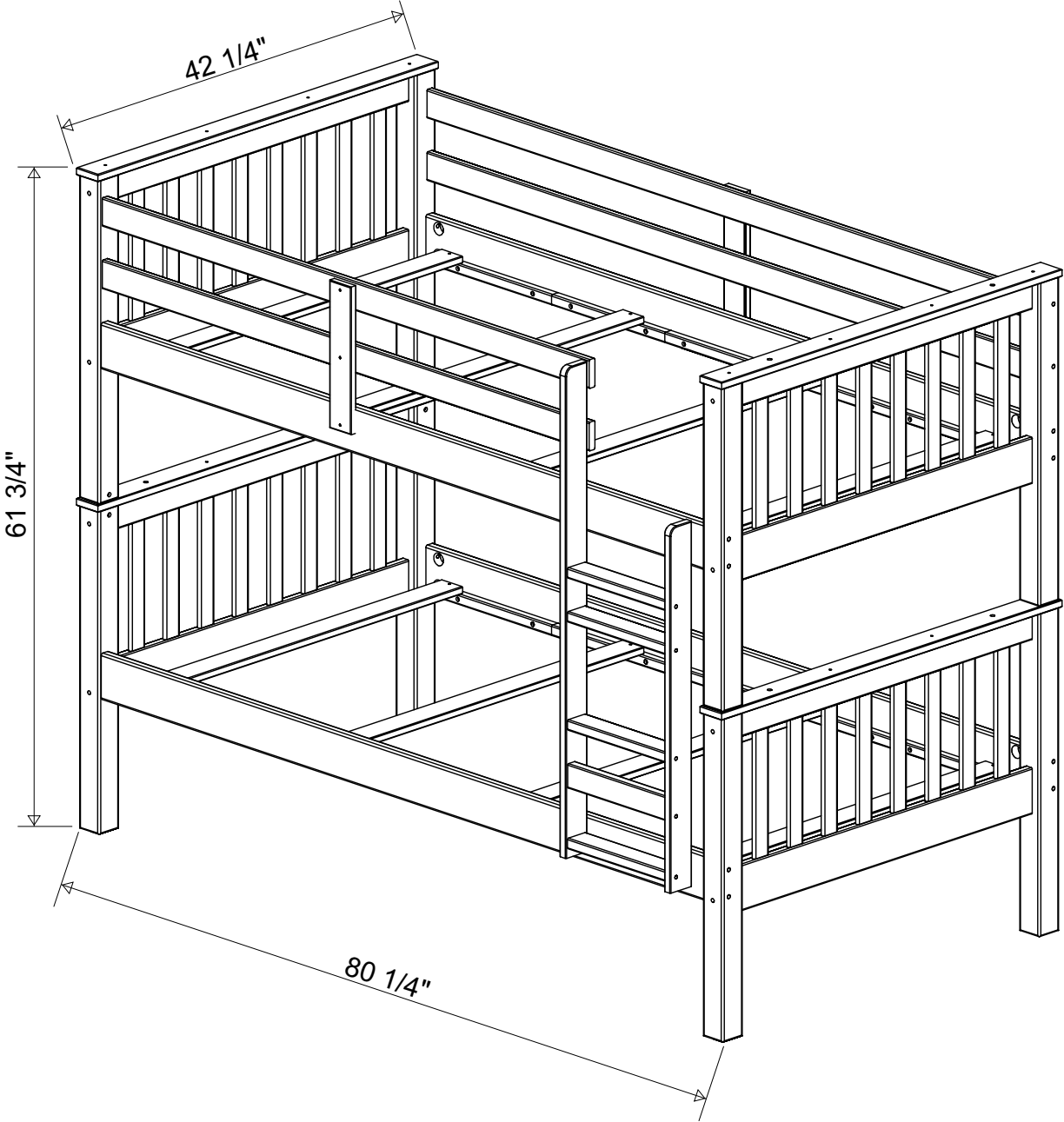
- Should you have a problem or need more information concerning the warranty, **do not contact the place of purchase. Please email our customer service department for immediate assistance at info@palaceimportsinc.com or go to www.palaceimportsinc.com**
- PALACE IMPORTS products are warranted to the original purchaser against defects in material or workmanship in the furniture. Defects as mentioned in this warranty refer to any imperfections which may impair the use of the product. Our warranty is expressly limited to the replacement of furniture parts and components for one year following the date of purchase.
- PALACE IMPORTS will replace any part that is defective. This warranty applies under conditions of normal use. Our furniture products are not intended for outdoor use. The warranty does not cover defects caused by improper assembly or disassembly, defects occurring after purchase due to product modifications, intentional damage, accident, misuse, exposure to the elements and labor or assembly costs.
- PALACE IMPORTS reserves the right to request proof of purchase to document a warranty claim. In no event shall PALACE IMPORTS be liable for incidental or consequent damages resulting from the misuse of the product.



ASSEMBLY INSTRUCTIONS

MISSION TWIN OVER TWIN BUNK BED

- SKU 4131 - White
- SKU 4132 - Mahogany
- SKU 4133 - Mocha
- SKU 4135 - Gray
- SKU 4136 - Java



READ THESE INSTRUCTIONS CAREFULLY BEFORE ATTEMPTING TO ASSEMBLE THIS BED

Safety Warnings and General Notes:

- **WARNING:** Only 8 slats are included, 4 per bed. Additional pack of 18 slats or Bunkie boards or plywood sheets **MUST** be purchased separately when using regular mattresses. It is safe to use Bunkie mattresses with 8 slats.
- Follow the information on the warning appearing on the upper bunk bed structure and on the carton. Do not remove warning label from the bed.
- Always use the recommended size mattress or mattress support, or both, to help prevent the likelihood of entrapment or falls (See Mattress specifications below).
- The top surfaces of the mattress must be at least 5" (127mm) below the upper edge of the guardrails.
- Do not allow children under 6 years of age to use the upper bunk.
- Periodically check and ensure that the guardrails, ladder and other components are in their proper position, free from damage, and that all connectors are tight.
- Do not allow horseplay on or under the bed and prohibit jumping on the bed.
- Prohibit more than one person on the upper bunk.
- Always use the ladder for entering and leaving the upper bunk.
- Do not use substitute parts. Contact the dealer for replacement parts.
- Use of a night-light may provide added safety for a child using the upper bunk.
- Always use guardrails on both long sides of the upper bunk. If the bunk bed will be placed next to the wall, the guardrail that runs the full length of the bed should be placed against the wall to prevent entrapment between the bed and the wall.
- The use of a water or sleep floatation mattress is prohibited.
- **STRANGULATION HAZARD:** Never attach or hang items to any parts of the bunk bed that are not designed for use with the bed; for example, but not limited to hooks, belts, and jump ropes.

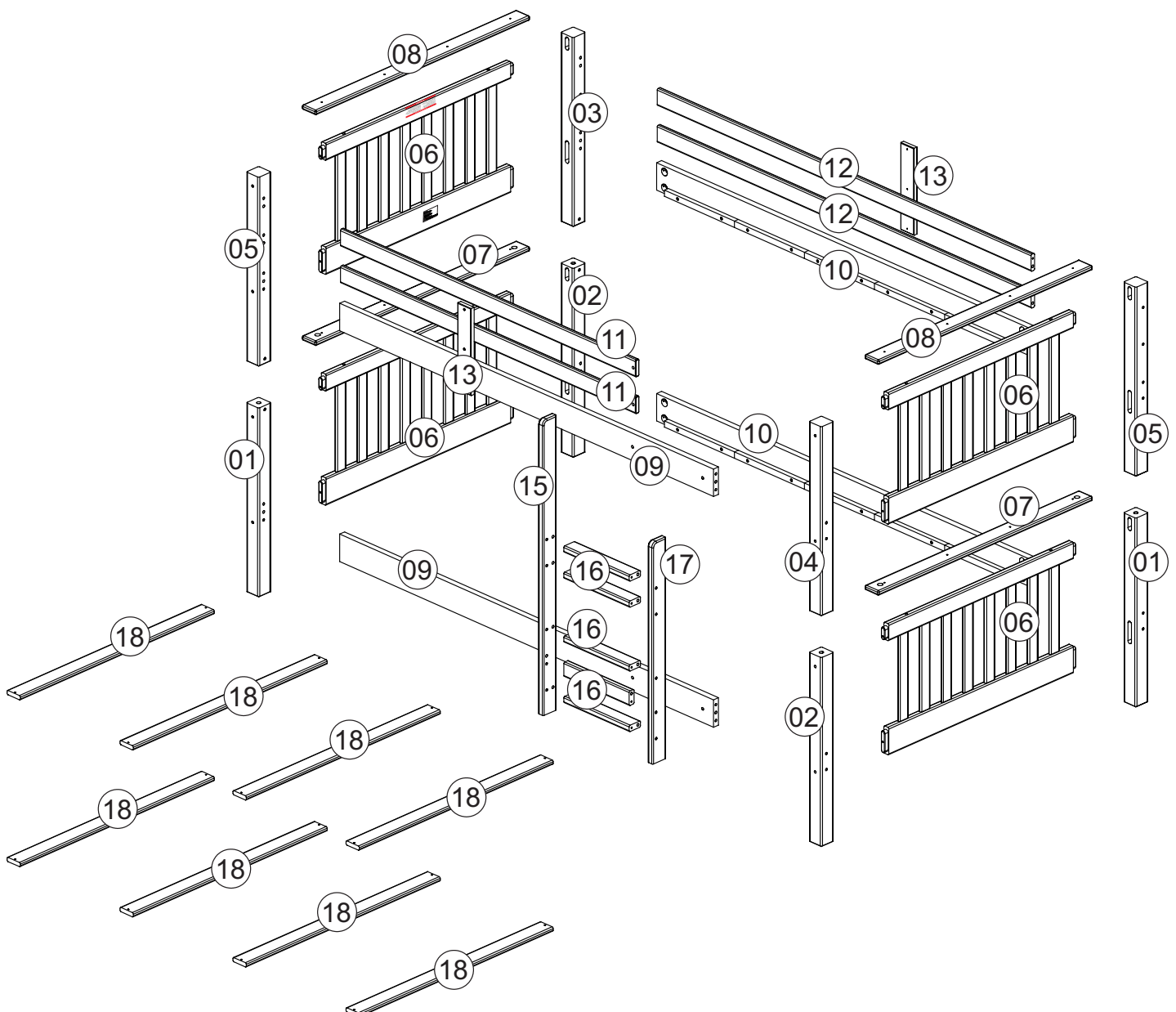
Bed Mattress Sizes:

- Use only mattresses 74" - 75" long and 37 1/2" - 39" wide on upper bunk
 - Use only mattresses 74" - 75" long and 37 1/2" - 39" wide on lower bunk
-

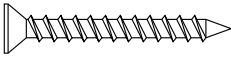
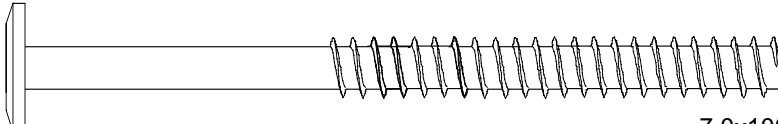

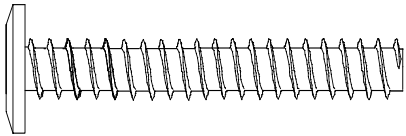
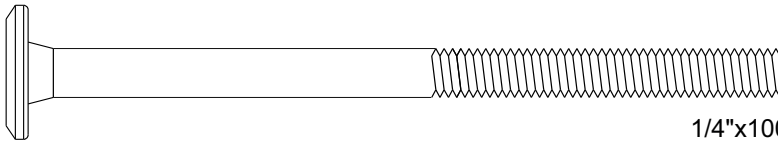
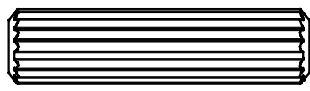

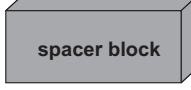
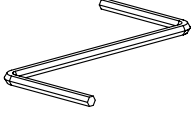
PRE-ASSEMBLY PREPARATION

- Please check the contents before assembling. A full checklist of parts is provided below.
- If any parts are missing or damaged, please contact us at info@PalaceImportsInc.com
- Assemble on a flat, smooth surface on top of a blanket.
- Use only low-speed power drill setting.
- Assemble as near as possible to the point of use.
- The hardware pack contains SMALL ITEMS which should be KEPT AWAY FROM YOUNG CHILDREN.

PARTS DIAGRAM

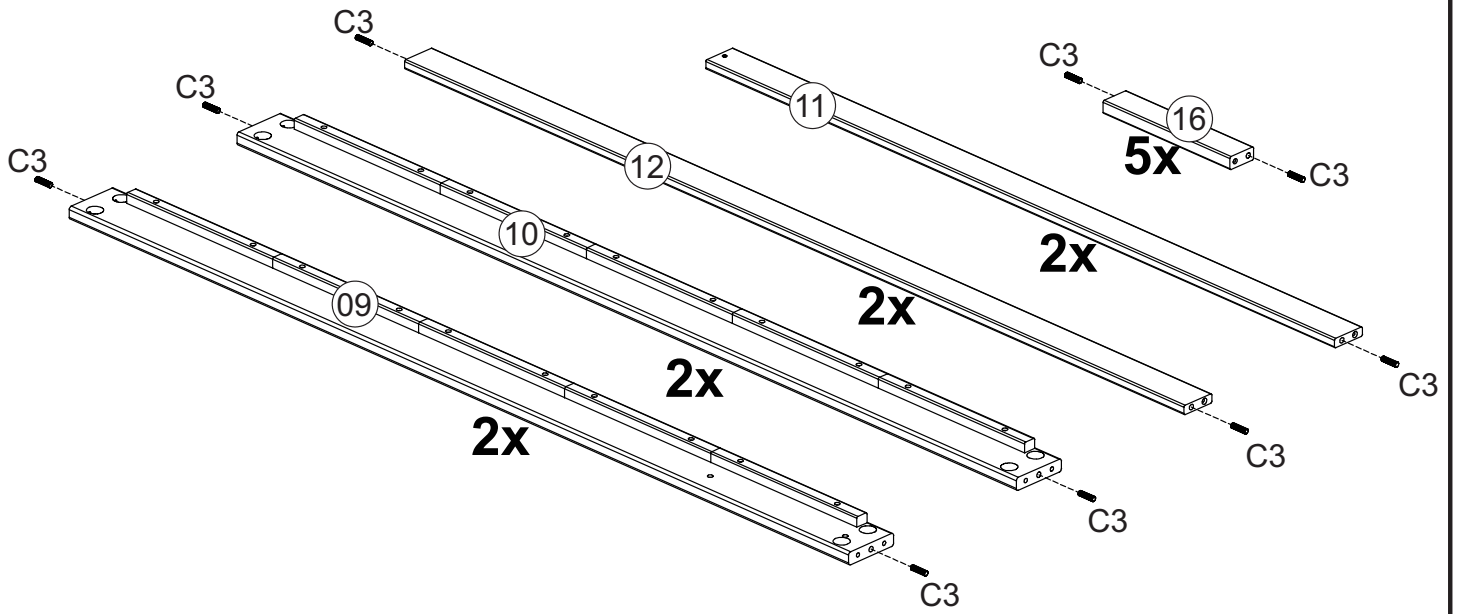


SCREWS ARE SHOWN IN ACTUAL SIZE

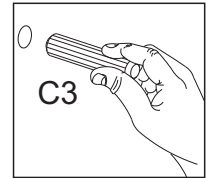
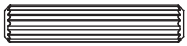
A10	 3,5x30	46 + 2
B1	 7,0x100	22
B5	 1/4"	16 + 1
B8	 7,0x50	16
B12	 1/4"x100	16
C3	 10x40	28 + 1
C8	 12x90	04
G4	 spacer block	02
G8		01

WARNING:
 **CHOKING HAZARD**
 - Small Parts.
 Not for Children Under 3 years.

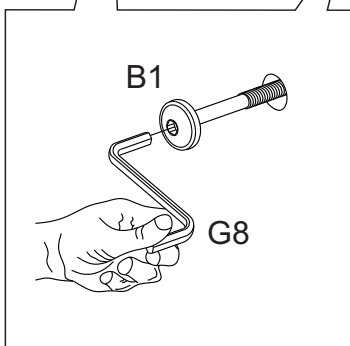
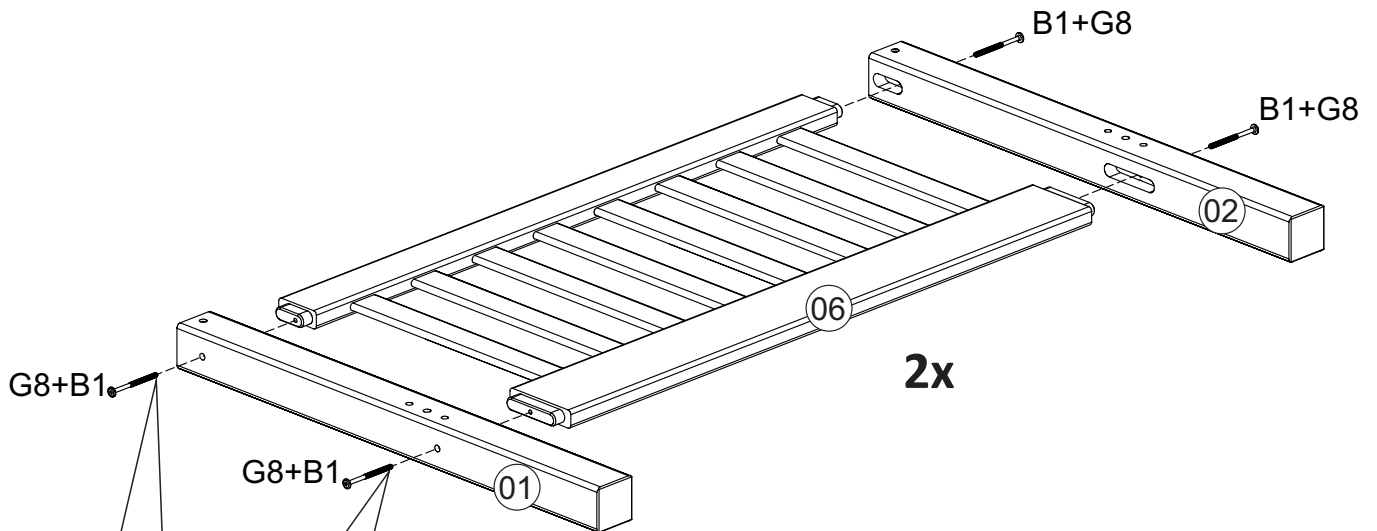
01)



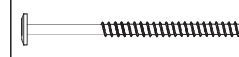
C3 - 10x40mm - 24x



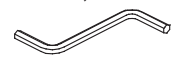
02)



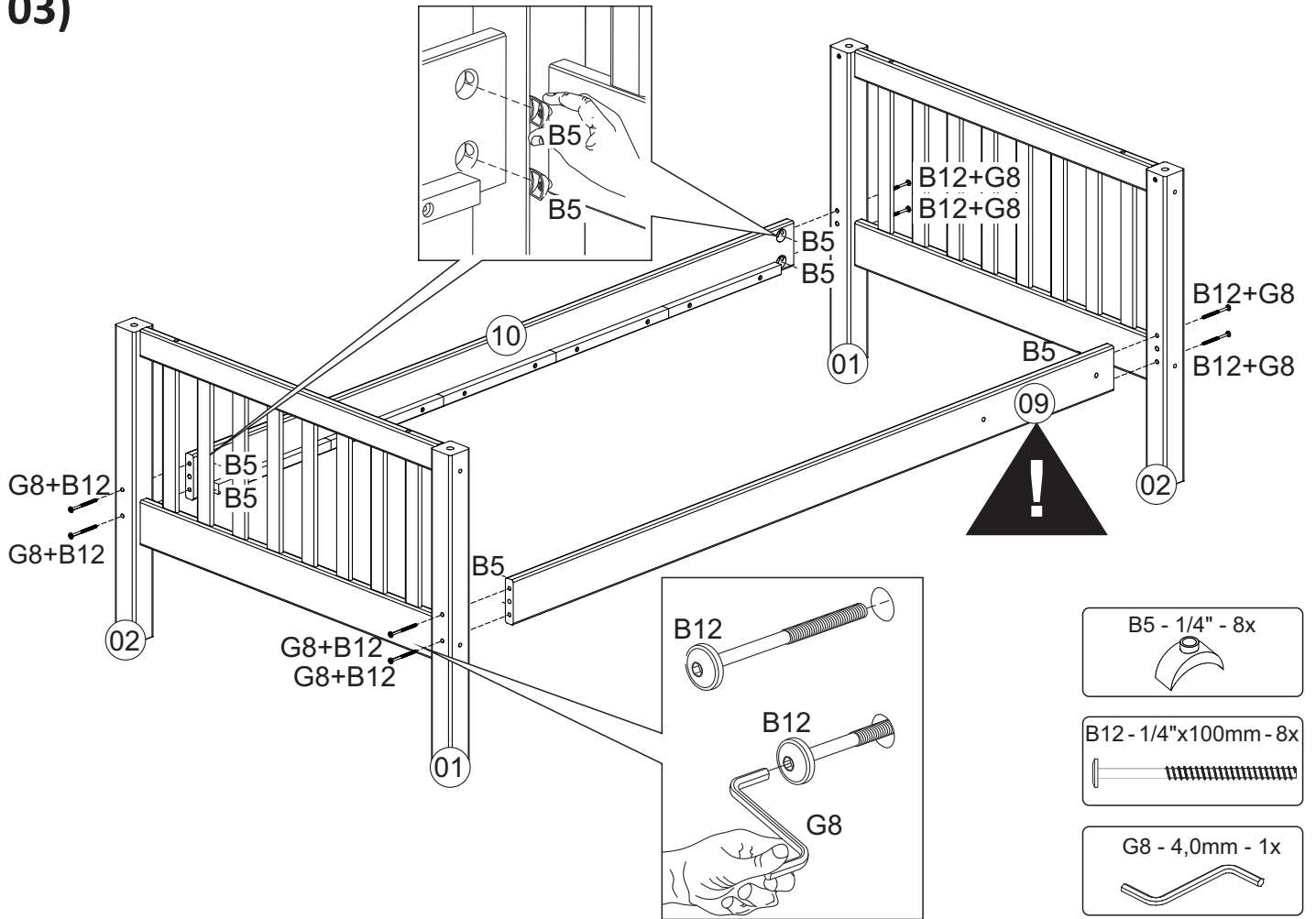
B1 - 7,0x100mm - 8x



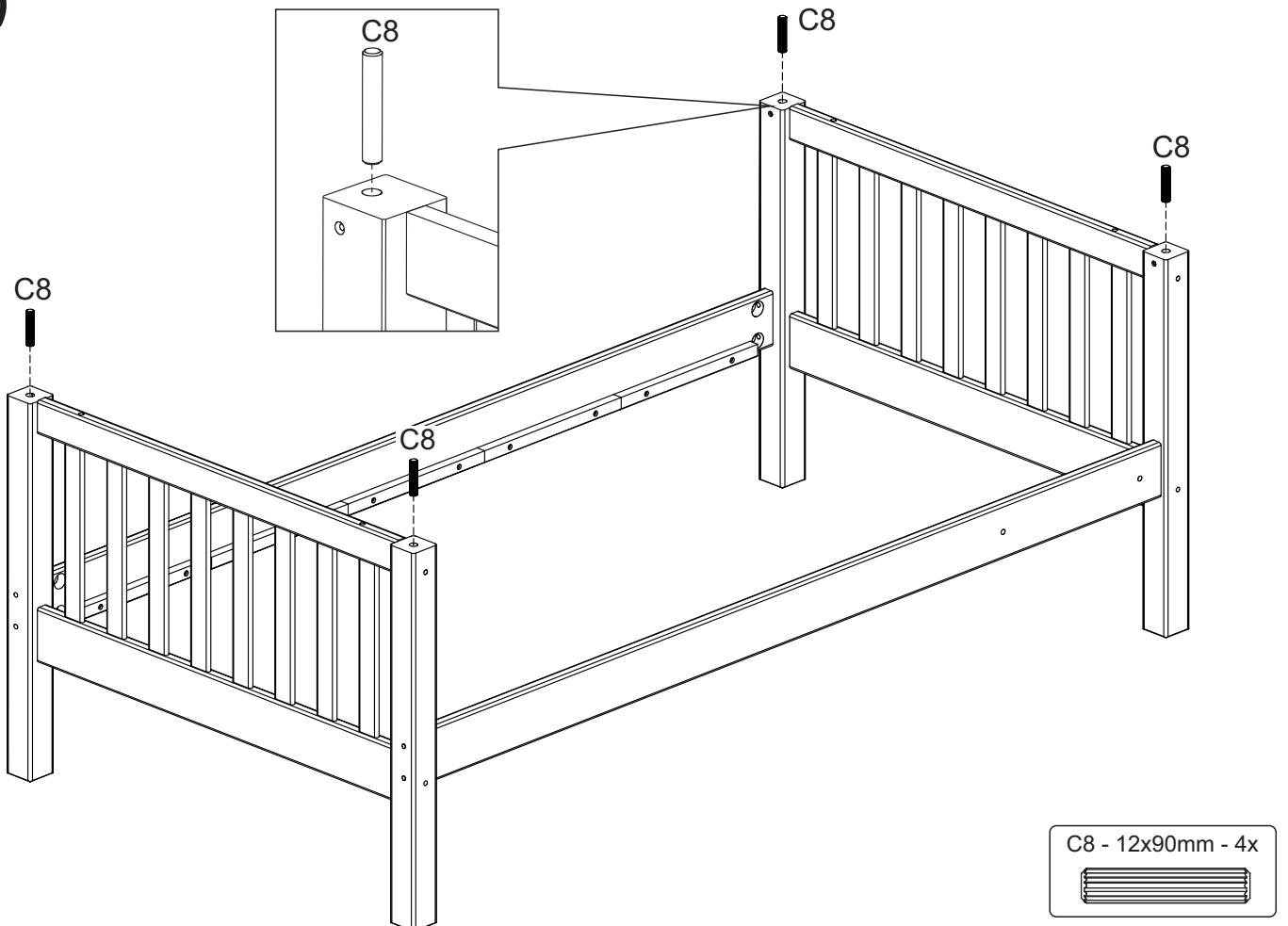
G8 - 4,0mm - 1x



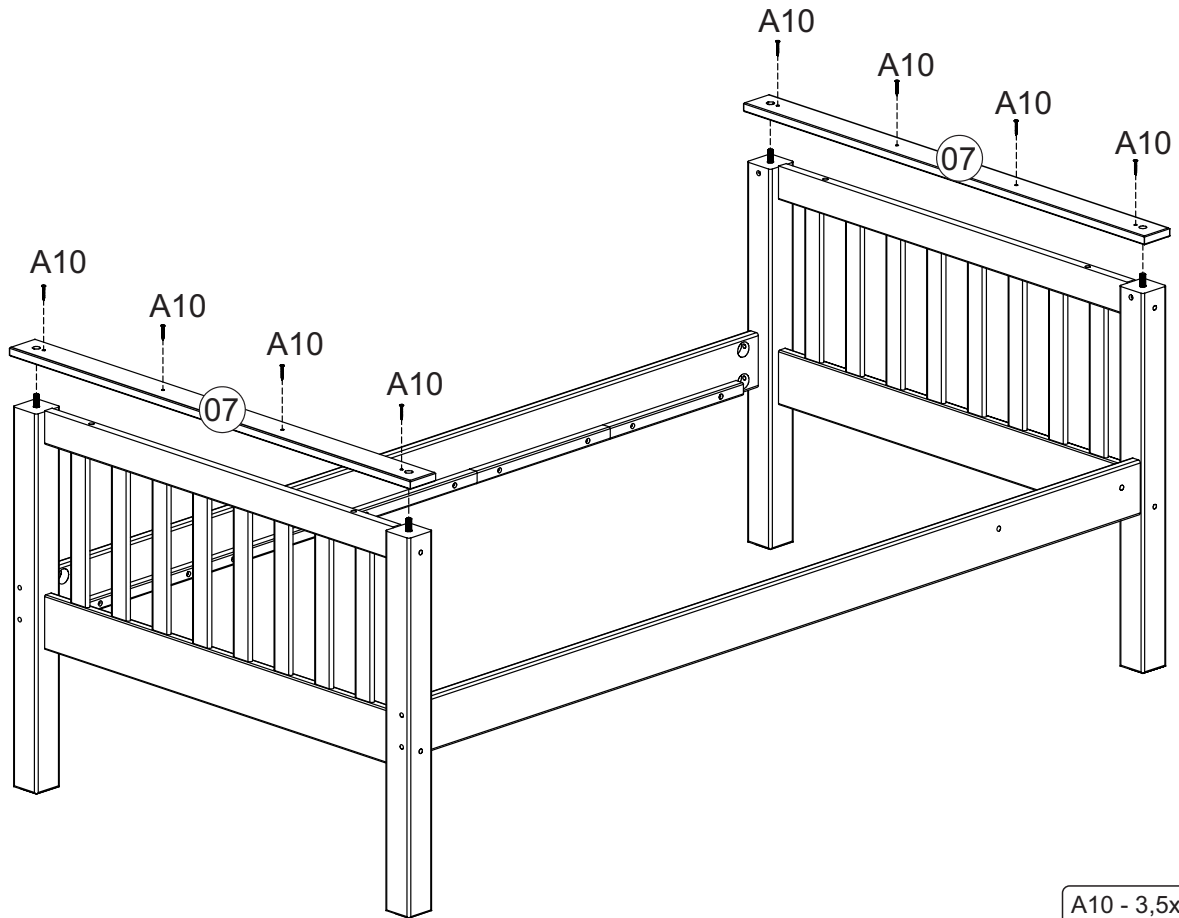
03)



04)



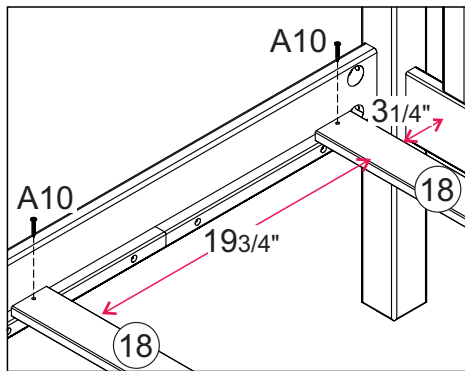
05)



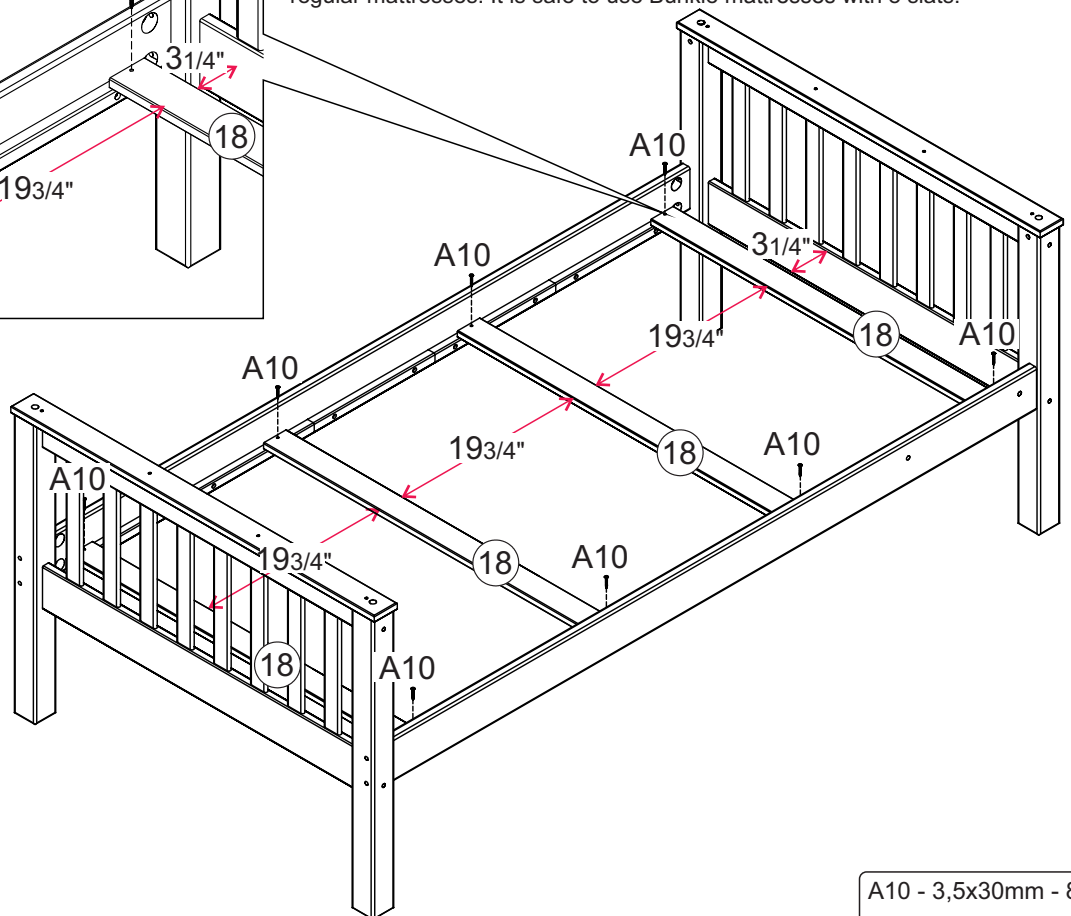
A10 - 3,5x30mm - 8x



06)



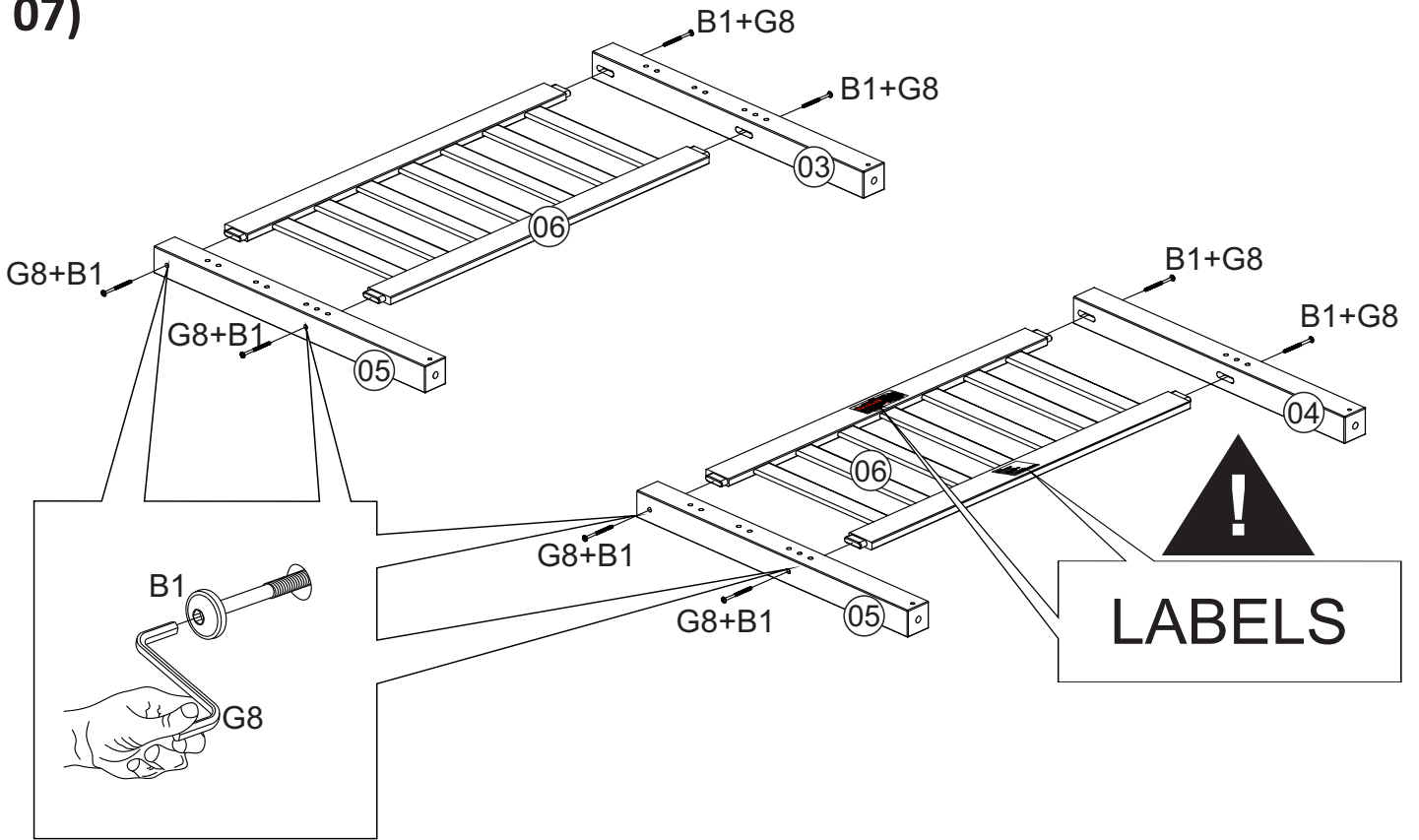
WARNING: Only 8 slats are included, 4 per bed. Additional pack of 18 slats or Bunkie boards or plywood sheets **MUST** be purchased separately when using regular mattresses. It is safe to use Bunkie mattresses with 8 slats.



A10 - 3,5x30mm - 8x



07)



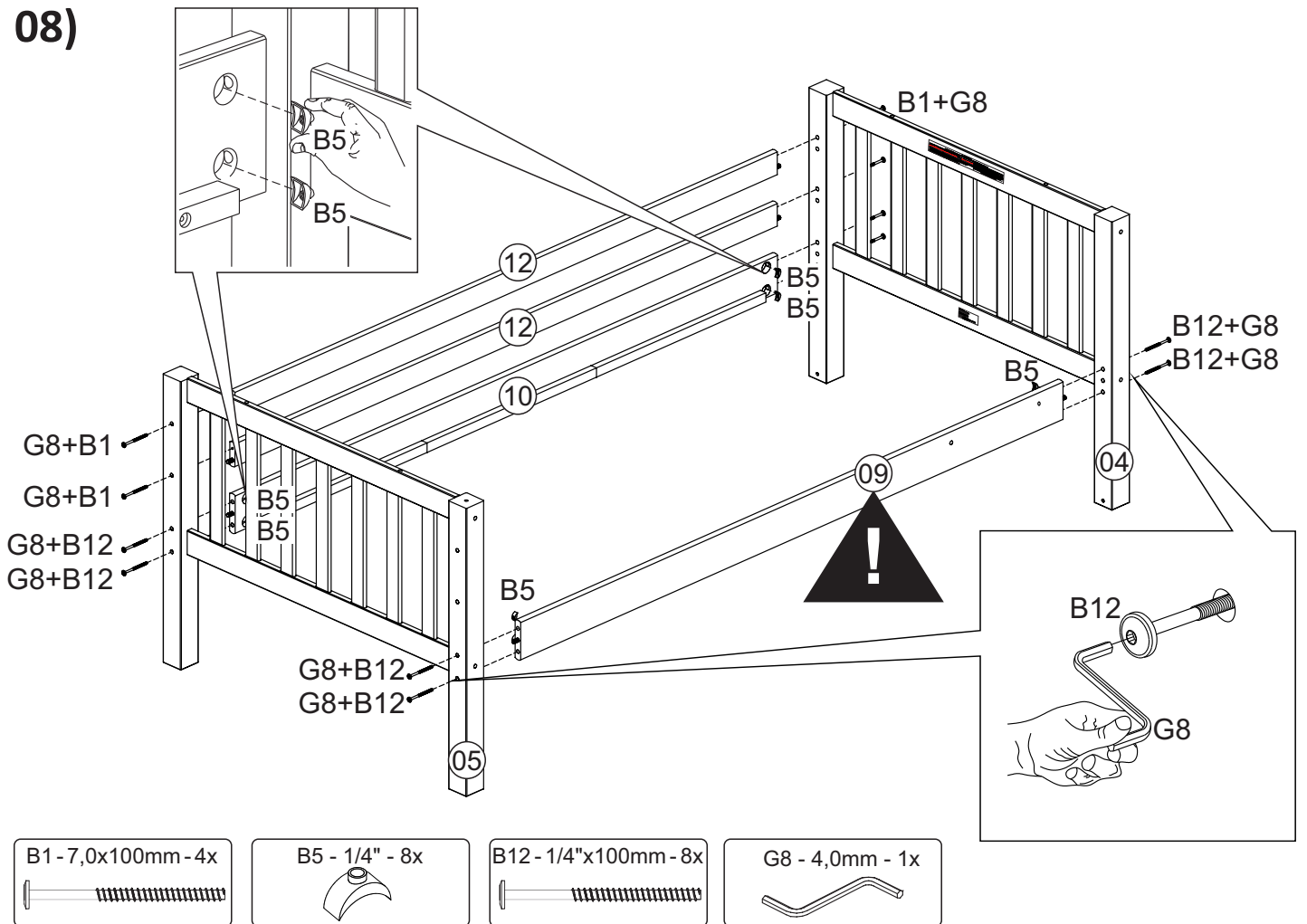
B1 - 7,0x100mm - 8x



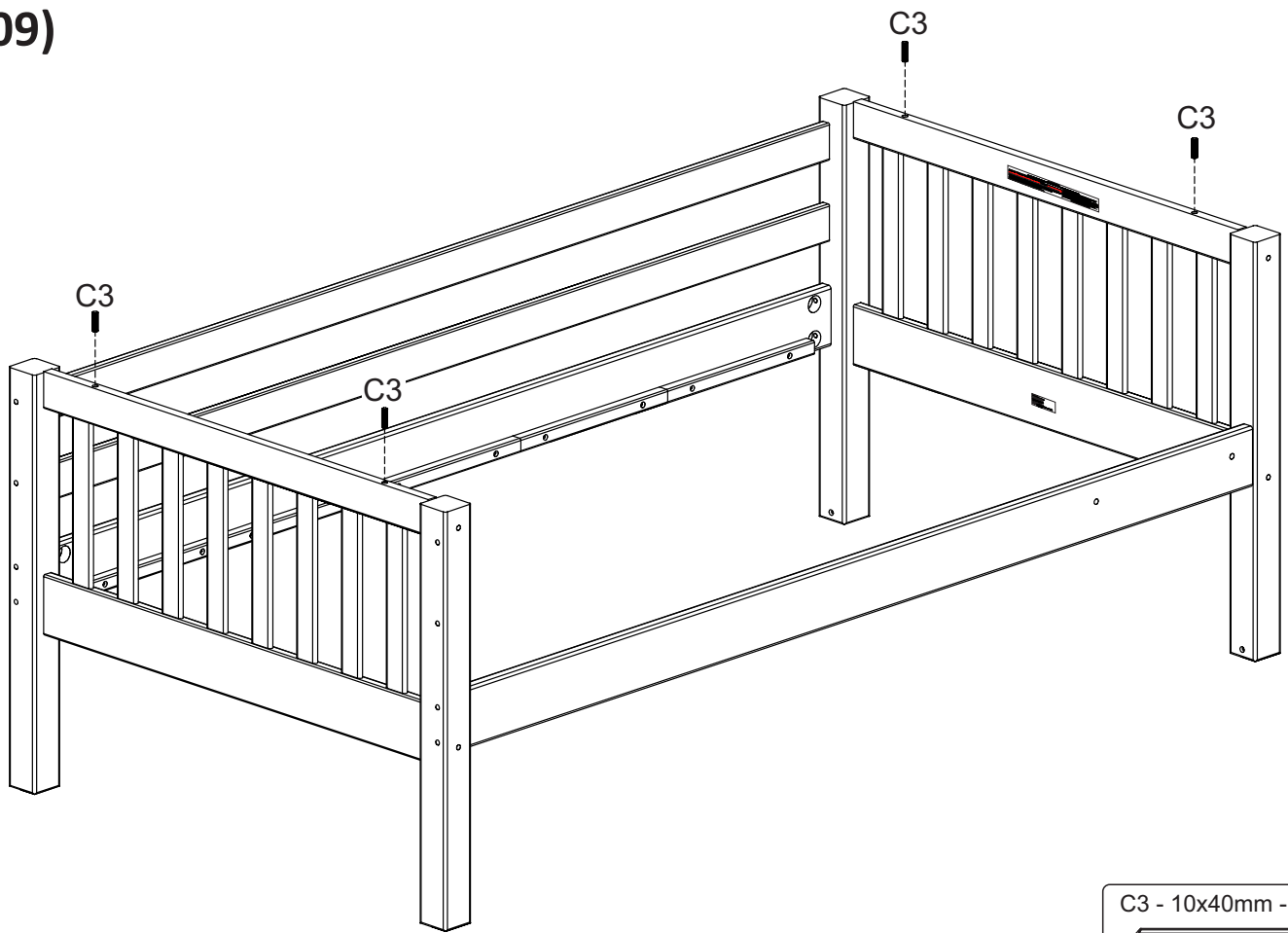
G8 - 4,0mm - 1x



08)



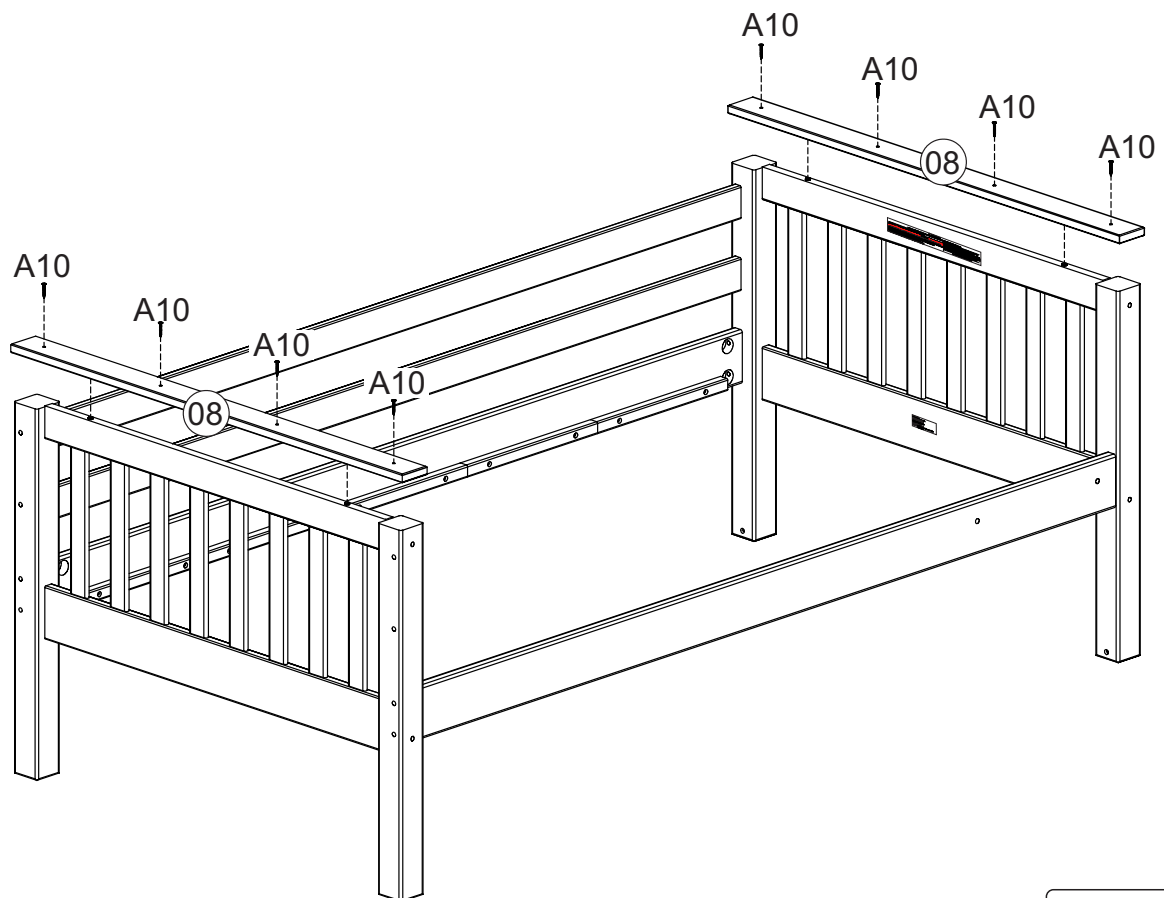
09)



C3 - 10x40mm - 4x



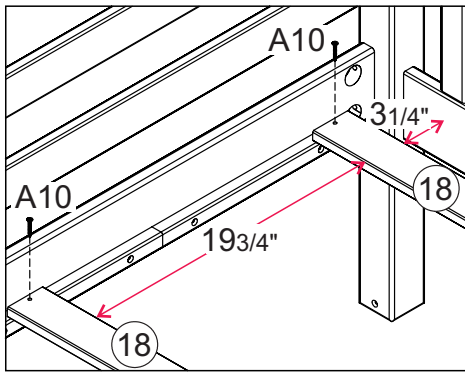
10)



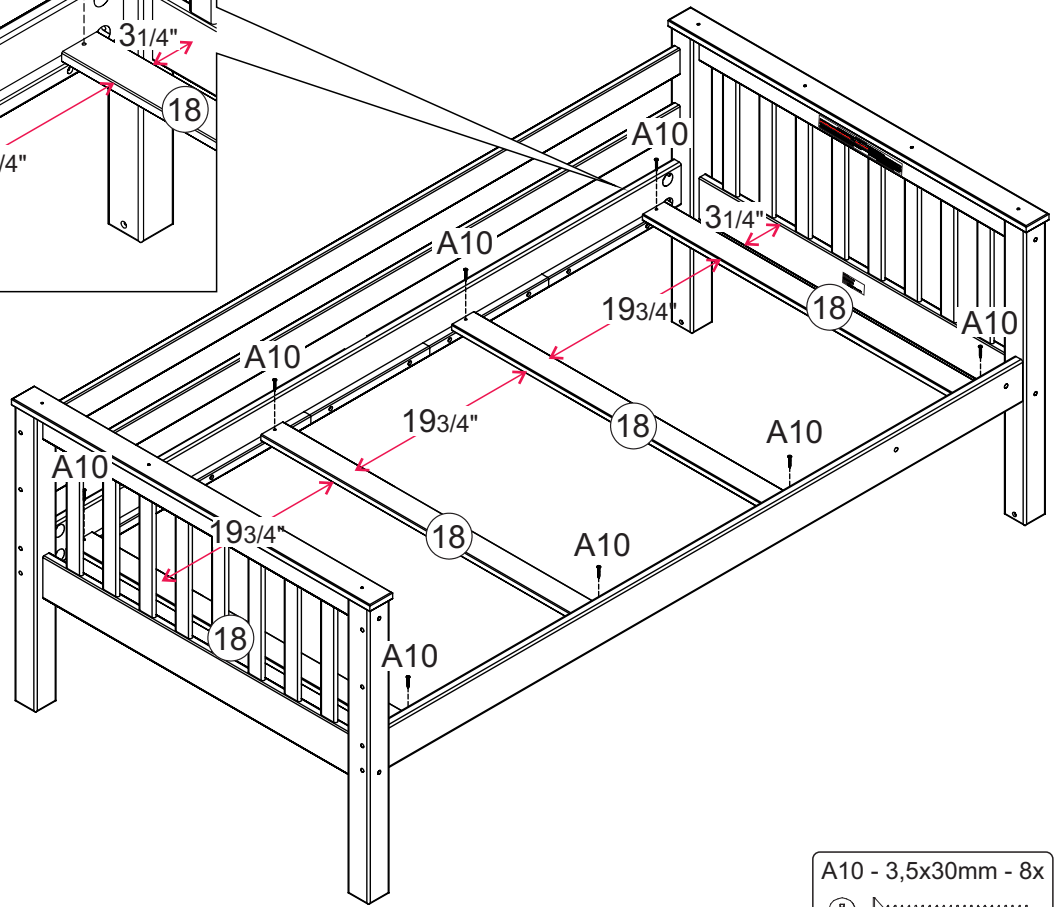
A10 - 3,5x30mm - 8x



11)



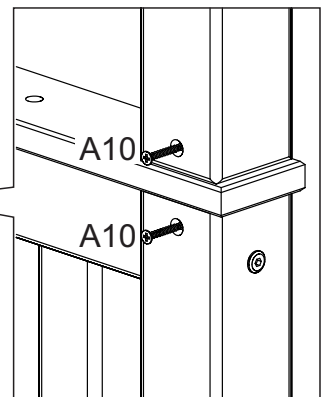
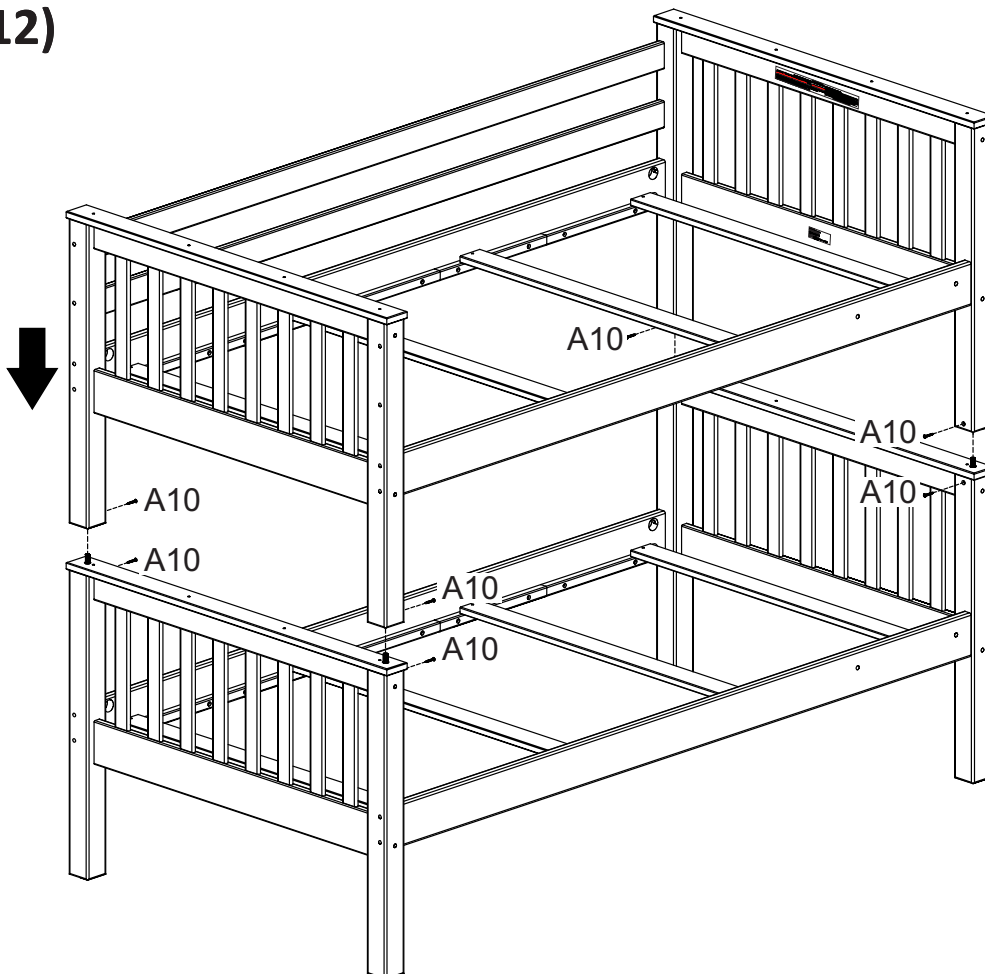
WARNING: Only 8 slats are included, 4 per bed. Additional pack of 18 slats or Bunkie boards or plywood sheets **MUST** be purchased separately when using regular mattresses. It is safe to use Bunkie mattresses with 8 slats.



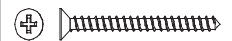
A10 - 3,5x30mm - 8x



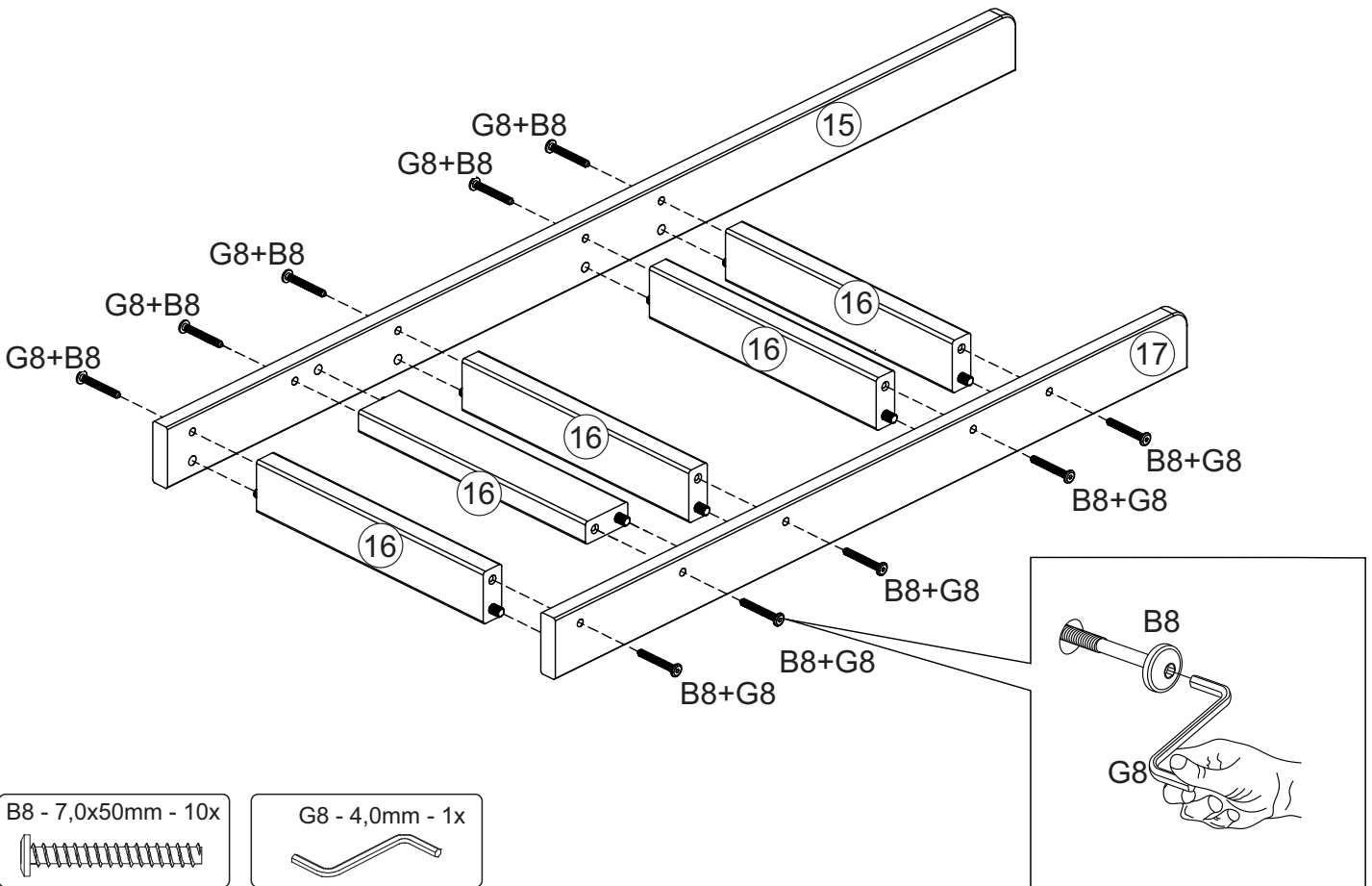
12)



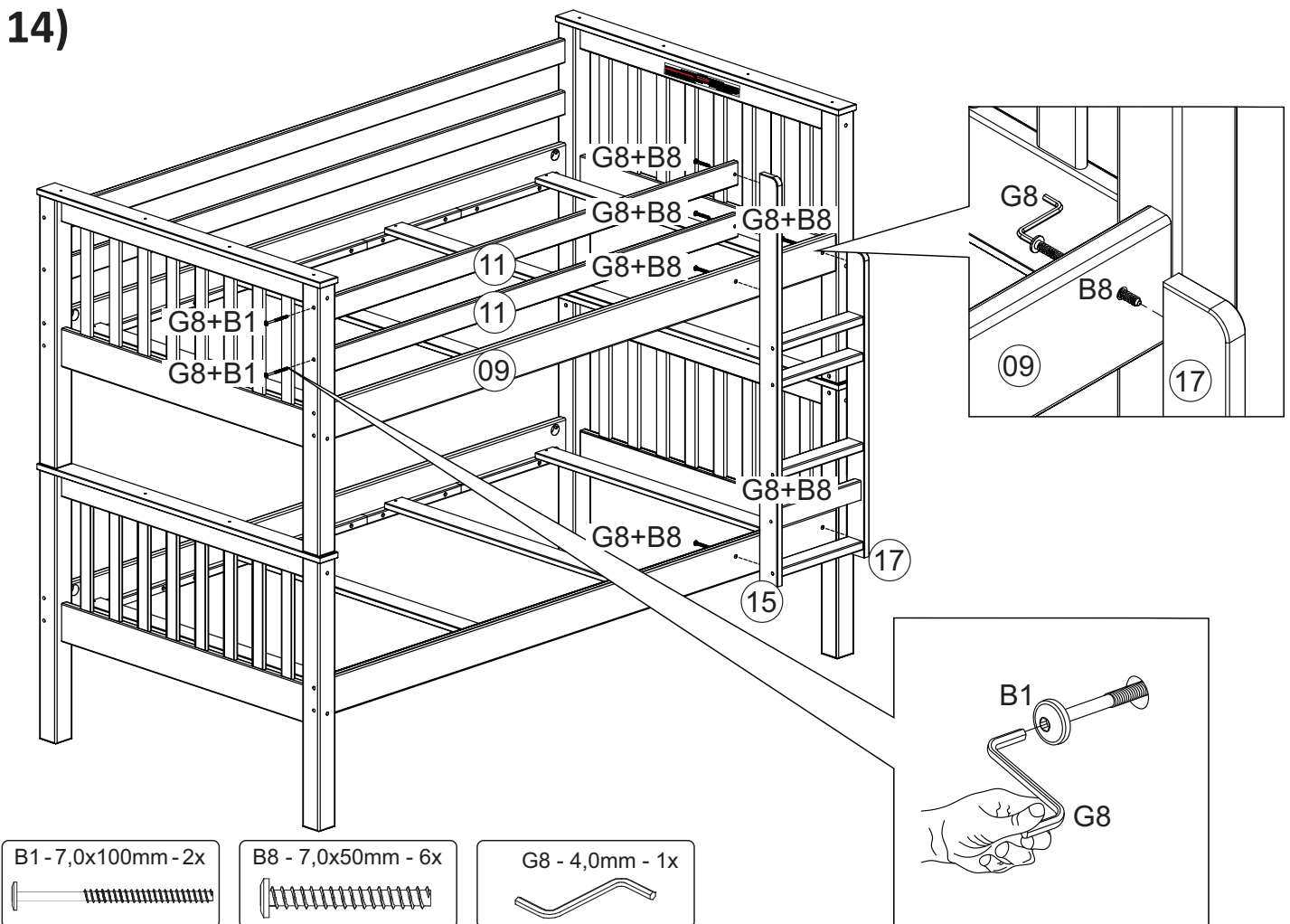
A10 - 3,5x30mm - 8x



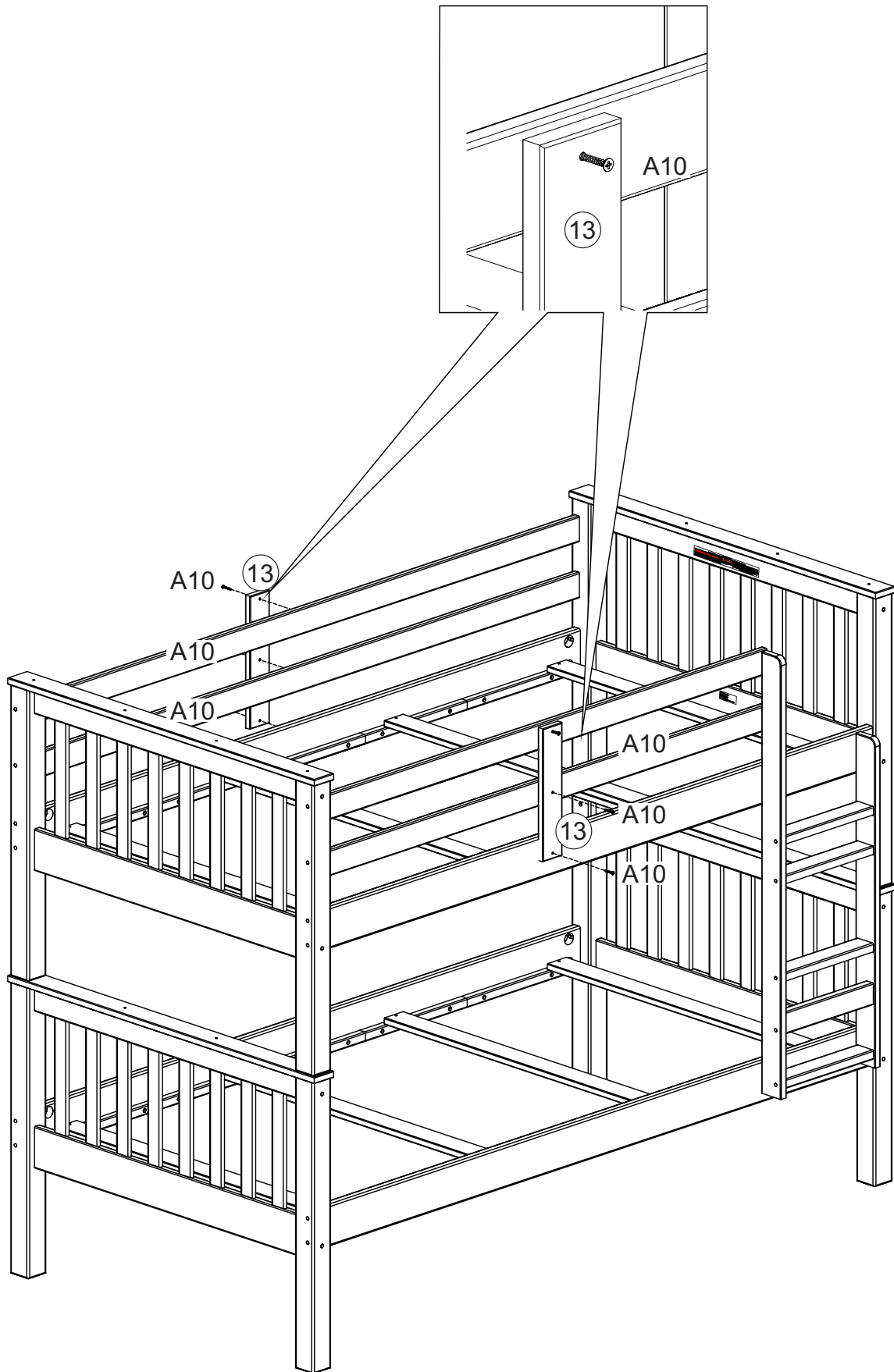
13)



14)



15)



WARNING: Only 8 slats are included, 4 per bed. Additional pack of 18 slats or Bunkie boards or plywood sheets **MUST** be purchased separately when using regular mattresses. It is safe to use Bunkie mattresses with 8 slats.

A10 - 3,5x30mm - 6x

