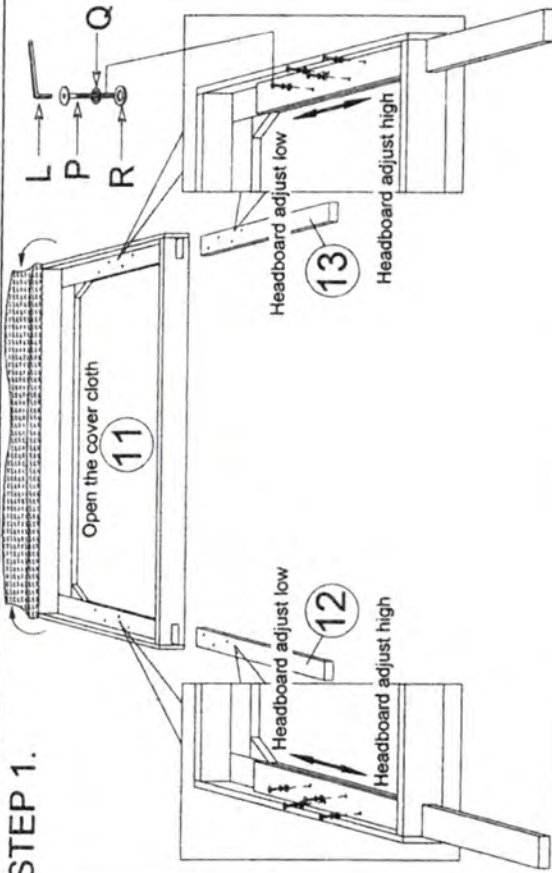


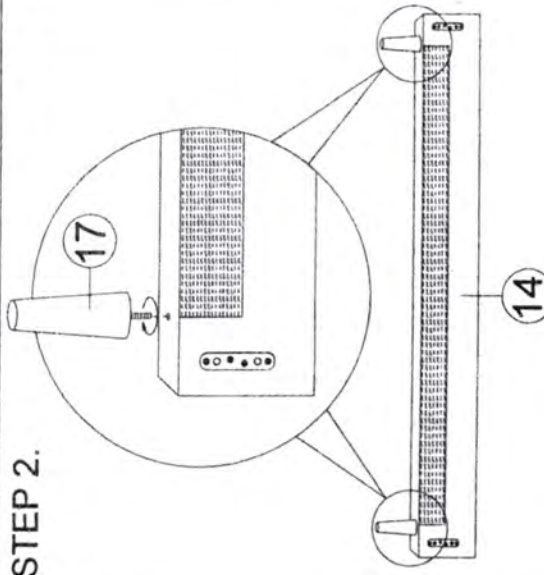
ASSEMBLY INSTRUCTION QUEEN BED

Before you begin, please read Assembly Instruction carefully and identify all parts and hardware. Then follow step by step instruction.

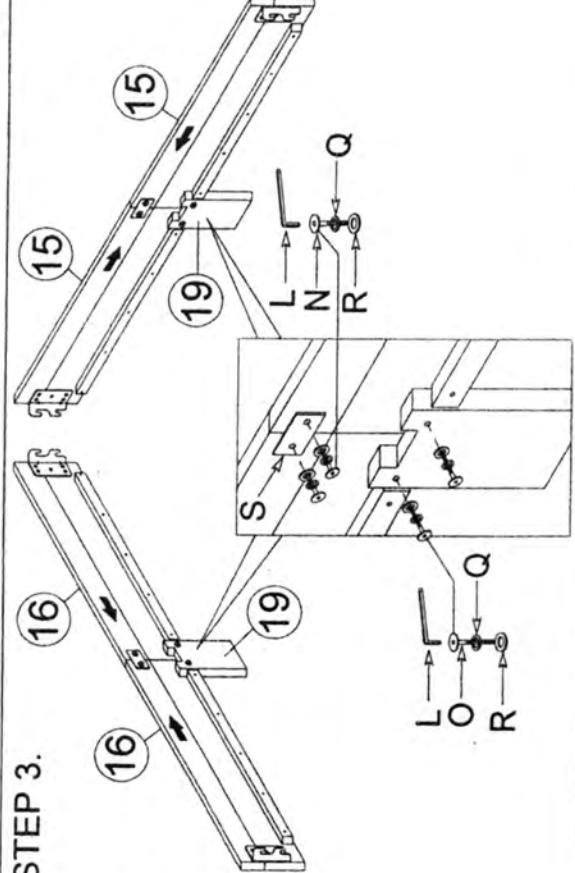
STEP 1.



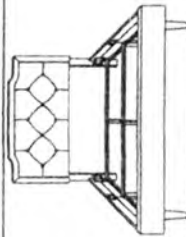
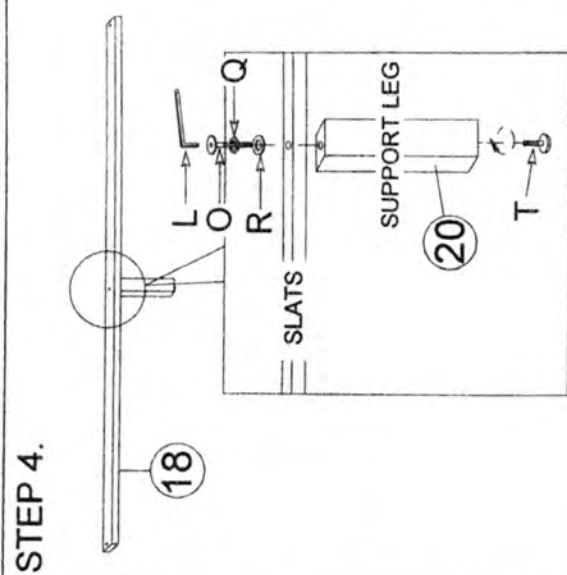
STEP 2.



STEP 3.



STEP 4.



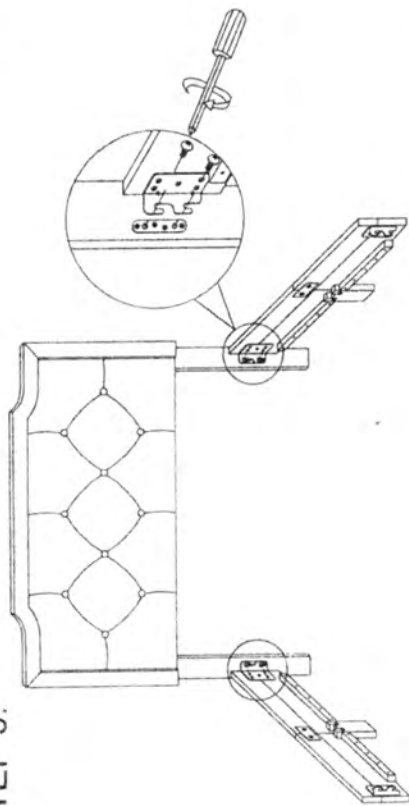
NO	PART LIST	QTY
11.	HEADBOARD CUSHION	1PC
12.	HEADBOARD LEFT LEG	1PC
13.	HEADBOARD RIGHT LEG	1PC
14.	FOOTBOARD CUSHION	1PC
15.	SIDE RAIL LEFT	2PCS
16.	SIDE RAIL RIGHT	2PCS
17.	FOOTBOARD LEGS	2PCS
18.	SLATS	3PCS
19.	SIDE RAIL LEGS	2PCS
20.	SUPPORT LEGS	3PCS

NO	HARDWARE DESCRIPTION	QTY
L.	Allen Key	1PC
M.	Chipboard Screw M4 x 32mm	6PCS
N.	JCBC Bolt M6 x 20mm	4PCS
O.	JCBC Bolt M6 x 40mm	7PCS
P.	JCBC Bolt M6 x 50mm	8PCS
Q.	Spring Washer	19PCS
R.	Flat Washer	19PCS
S.	Side Rail Connect	2PCS
T.	Adjuster Screw	3PCS

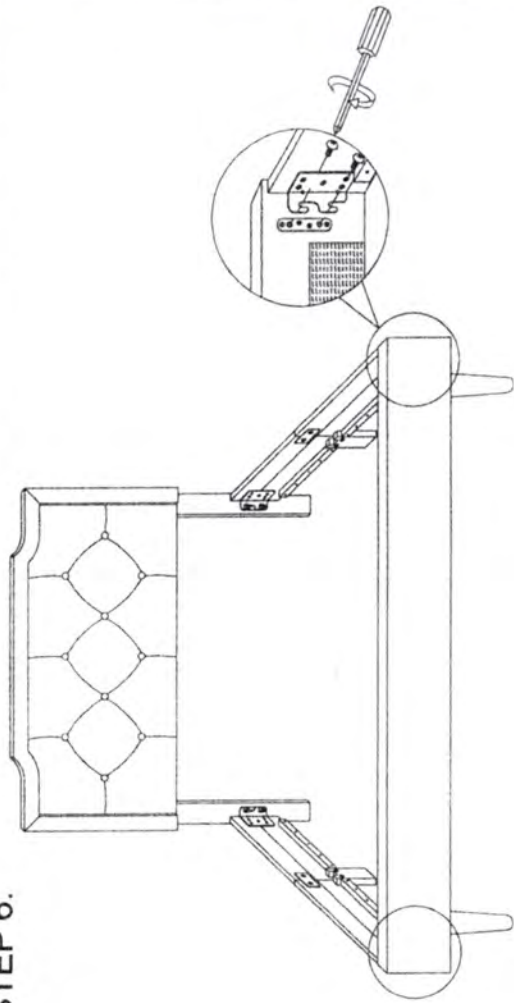
SCREW DRIVER NOT PROVIDE !!!

ASSEMBLY INSTRUCTION QUEEN BED

STEP 5.



STEP 6.



STEP 7.

