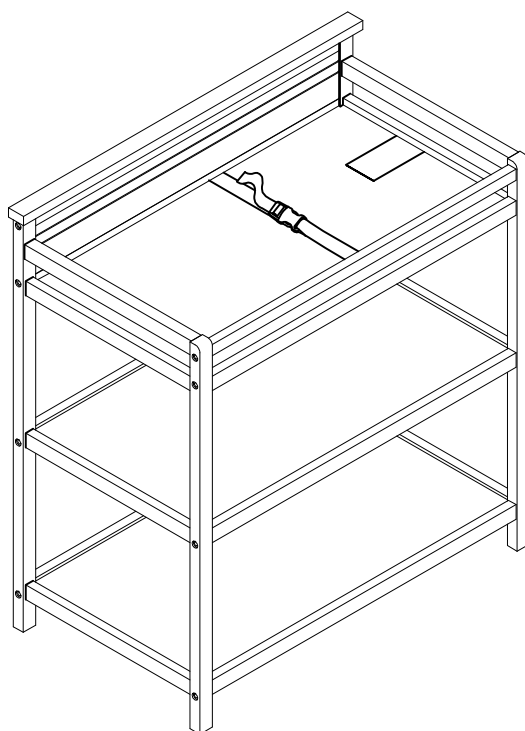


ASSEMBLY INSTRUCTIONS

HARPER CHANGING STATION

Model #67068



Thank you for your purchase!

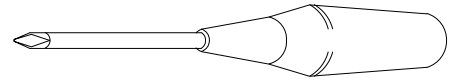
Remove all parts and hardware from the box and lay on a carpeted or scratch-free work surface.
Do not dispose of any contents until assembly is completed.

TOOLS REQUIRED:

ALLEN KEY (included)

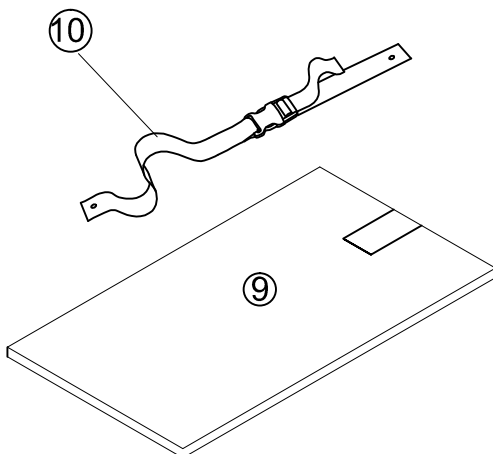


SCREW DRIVER (Not Included)

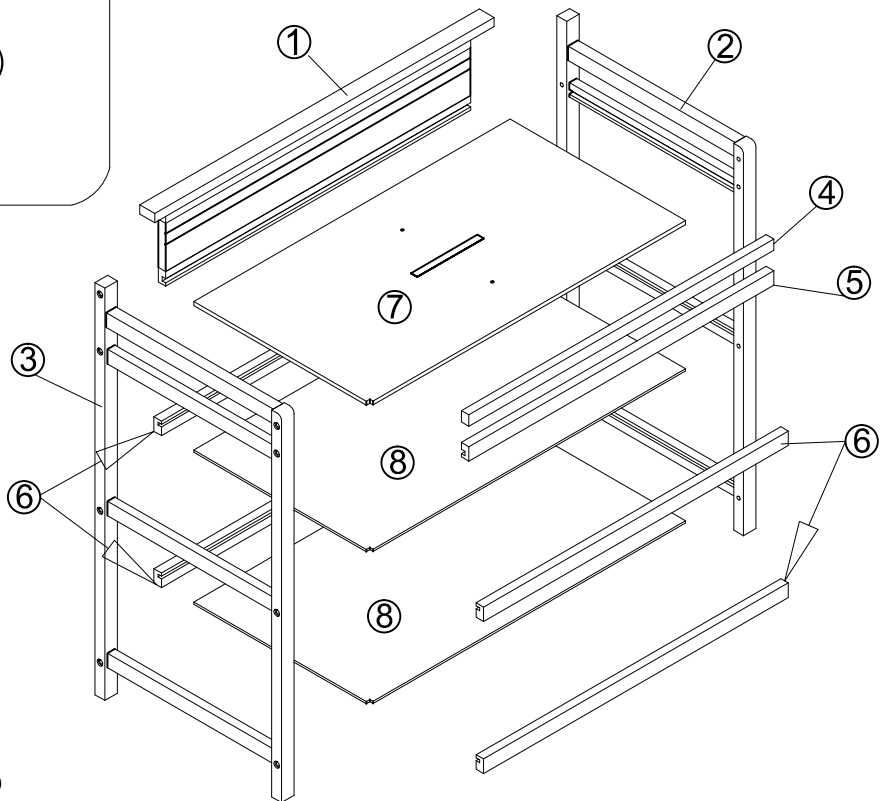


PARTS ENCLOSED IN CARTON

- | | |
|-------------------------------|---------|
| 1. Back frame | (1 pc) |
| 2. Right side frame | (1 pc) |
| 3. Left side frame | (1 pc) |
| 4. Front top rail | (1 pc) |
| 5. Front middle rail | (1 pc) |
| 6. Front & Back bottom rail | (4 pcs) |
| 7. Top shelf | (1 pc) |
| 8. Bottom shelf | (2 pcs) |
| 9. Changing Pad | (1 pc) |
| 10. Male/Female Belt Sections | (1 pc) |



(Changing Pad (9) and Male/Female Belt Sections (10)
are packed together in nylon bag)



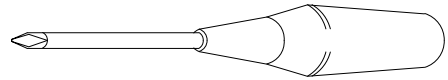
Do not fully tighten all Screws until all parts are in place.

TOOLS REQUIRED:

ALLEN KEY (included)

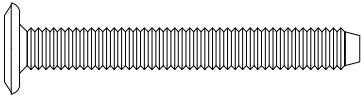


SCREW DRIVER (Not Included)

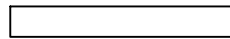


HARDWARE

(A) Allenbolt 1-3/4" (45 mm) (16 pcs)



(B) Metal Pin 1-3/16" (30mm) (2 pcs)



(C) Spring washer (16 pcs)



(D) Allen key (1 pc) (length may vary)



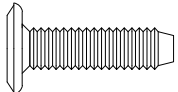
(E) Nylon washer (2 pcs)



(F) Hex nut (2pcs)



(G) Allenbolt 3/4"(20 mm) (2 pcs)



Do not fully tighten all bolts until all parts are in place.

(please add an extra 1/2 revolution to the bolts when using spring washer after tightening)

STEP 1 "ASSEMBLY OF RIGHT SIDE FRAME AND BACK FRAME"

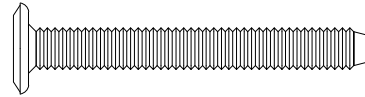
THIS STEP REQUIRES :

- 1. Back frame (1 pc)
- 2. Right side frame (1 pc)

(D) Allen key (1 pc)



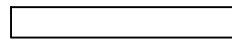
(A) Allenbolt 1-3/4" (45 mm) (2 pcs)



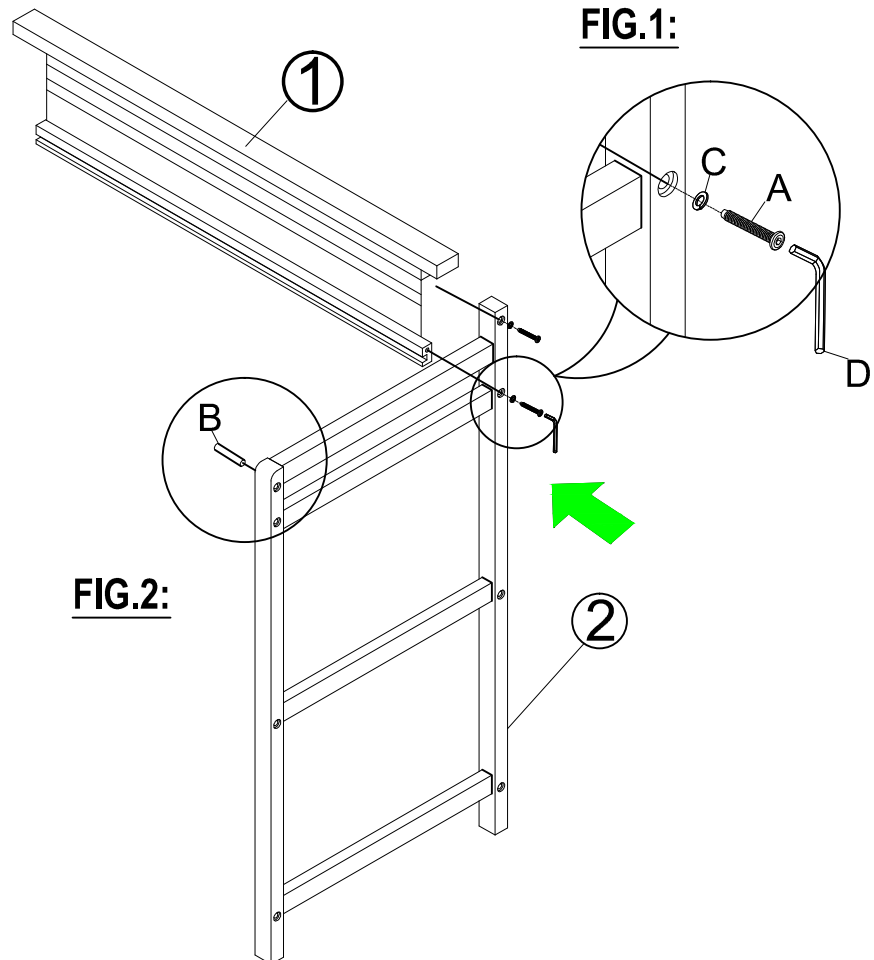
(C) Spring washer (2 pcs)



(B) Metal Pin 1-3/16" (30mm) (1 pc)



STEP 1:



STEP 1 :

Assembly the Right Side Frame (2) to the hole on Back Frame (1) by Allen bolt (A), Spring washer (C) as shown in FIG.1. Tighten all bolts by Allen Key (D).

Attach 1 pc. of Metal Pin (B) to Right Side frame (2) as shown in FIG.2.

STEP 2 " ASSEMBLY OF ALL RAILS AND RIGHT SIDE FRAME"

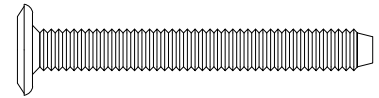
THIS STEP REQUIRES :

- 4. Front top rail (1 pc)
- 5. Front middle rail (1 pc)
- 6. Front & Back bottom rail (4 pcs)

(D) Allen key (1 pc)



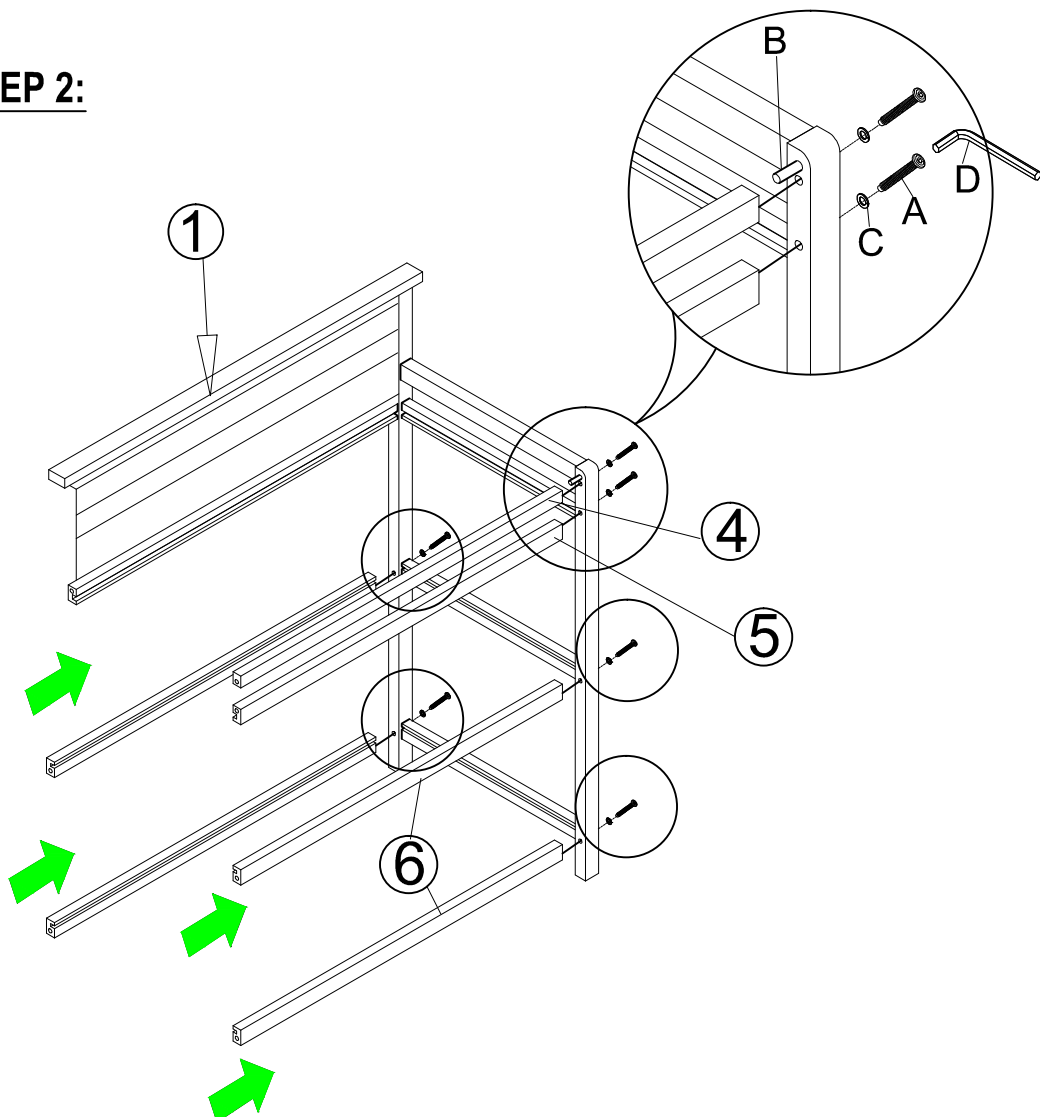
(A) Allenbolt 1-3/4" (45 mm) (6 pcs)



(C) Spring washer (6 pcs)



STEP 2:



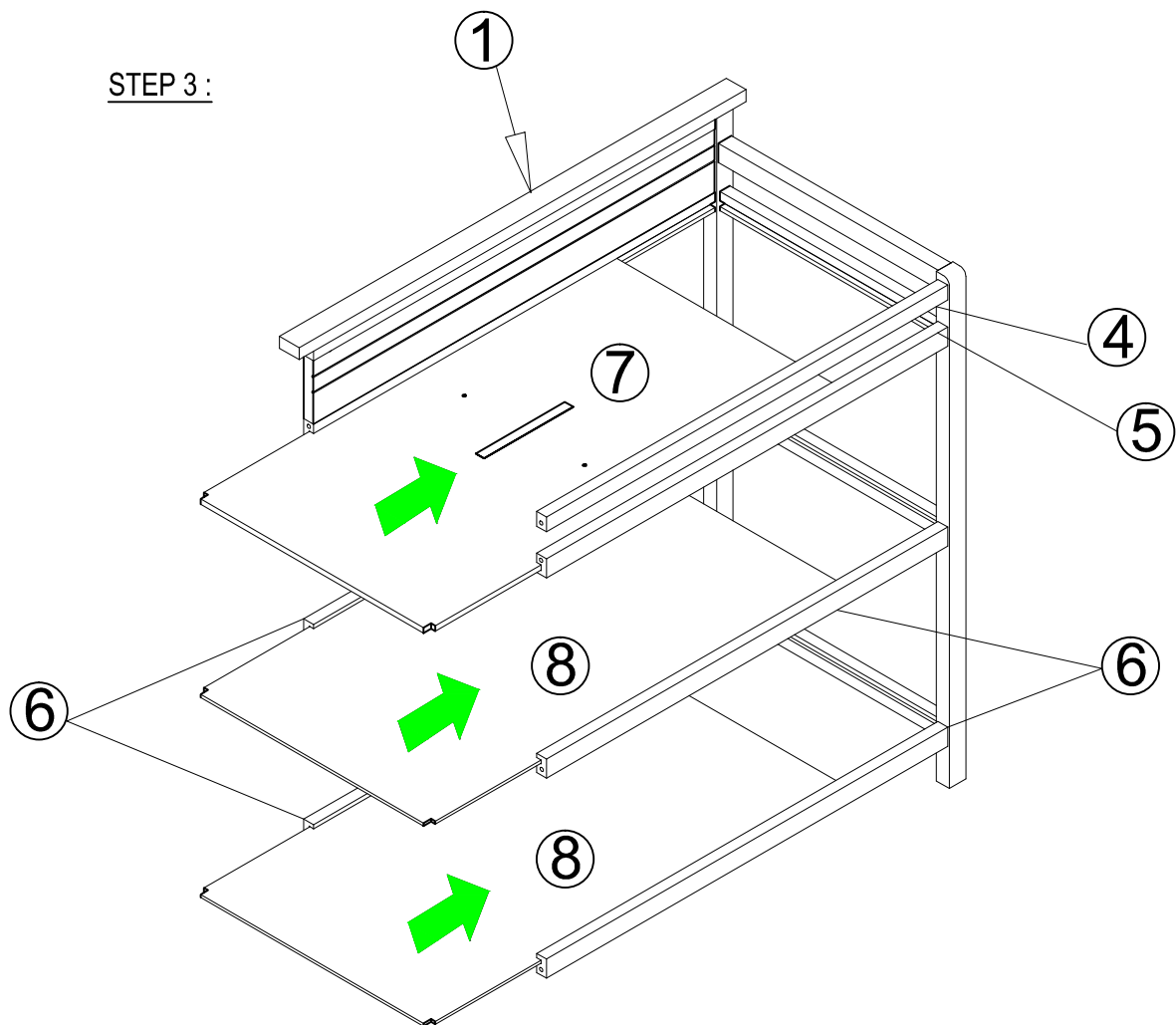
STEP 2 :

Assembly Right Side Frame (2) with Front top rail (4), Front middle rail (5) and Front & back bottom rails (6) by Allen bolt (A) and Spring washer (C). Tighten all bolts by Allen Key (D).

STEP 3 " ASSEMBLY OF ALL SHELVES "

THIS STEP REQUIRES :

- 7. Top shelf (1 pc)
- 8. Bottom shelf (2 pcs)



STEP 3 :

Assembly all top shelf (7) & bottom shelves (8) by sliding them on the slots of the back frame (1), Front middle rail (5) and Front & back bottom rails (6) as shown.

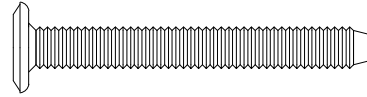
STEP 4 "ASSEMBLY LEFT SIDE FRAME"

THIS STEP REQUIRES :

3. Left side frame (1 pc)

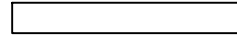
(D) Allen key (1 pc)

(A) Allenbolt 1-3/4" (45 mm) (8 pcs)

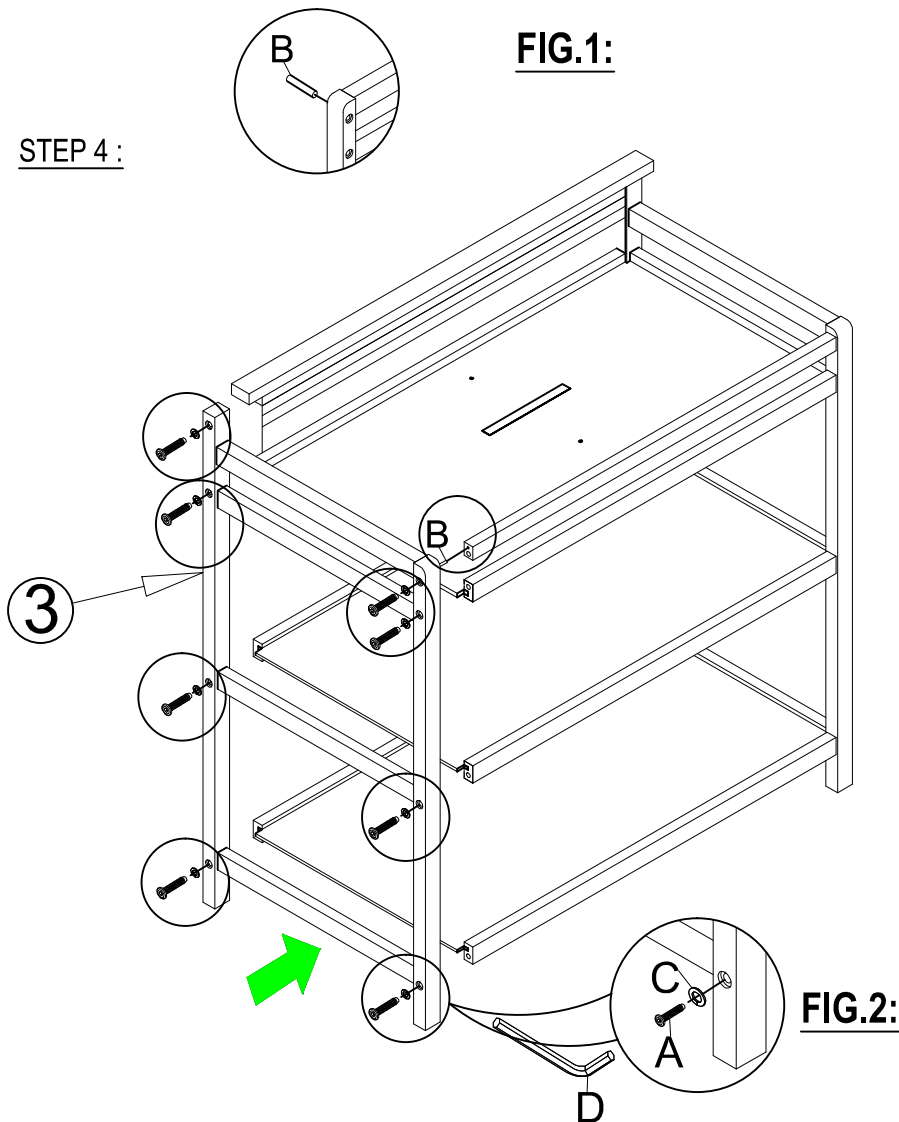


(C) Spring washer (8 pcs)

(B) Metal Pin 1-3/16" (30mm) (1 pc)



STEP 4 :



STEP 4 :

Attach 1 pc. of Metal Pin (B) to Left Side frame (3) as shown in FIG.1.

Assembly all to Left side frame (3) by using Allen bolts (A) and Spring washer (C) as shown in FIG.2.
Tighten all bolts by Allen Key (D).

STEP 5 "ASSEMBLY SECURING BELTS TO CHANGING STATION"

THIS STEP REQUIRES :

(9) Changing Pad (1 pc)

(10) Male/Female Belt Sections (1pc)

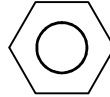
(D) Allen key (1 pc)



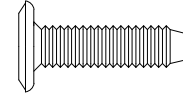
(E) Nylon washer (2 pcs)



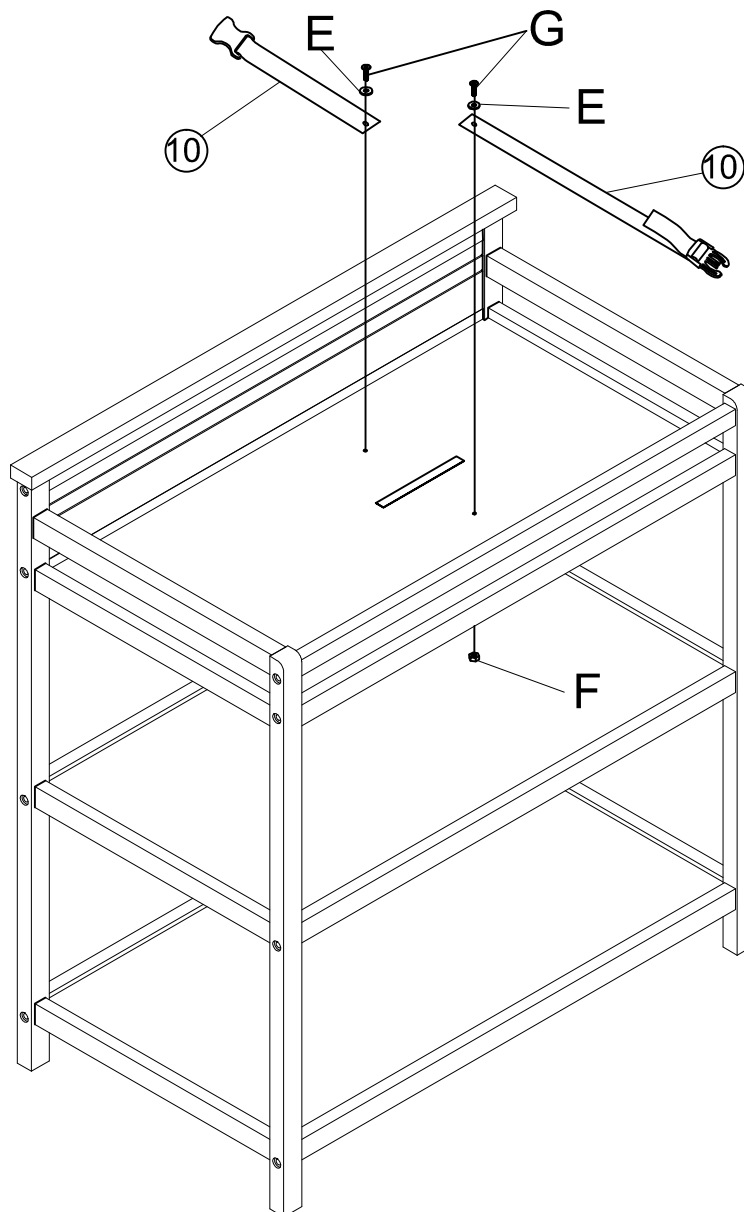
(F) Hex nut (2 pcs)



(G) Allenbolt 3/4"(20 mm) (2 pcs)



STEP 5 :



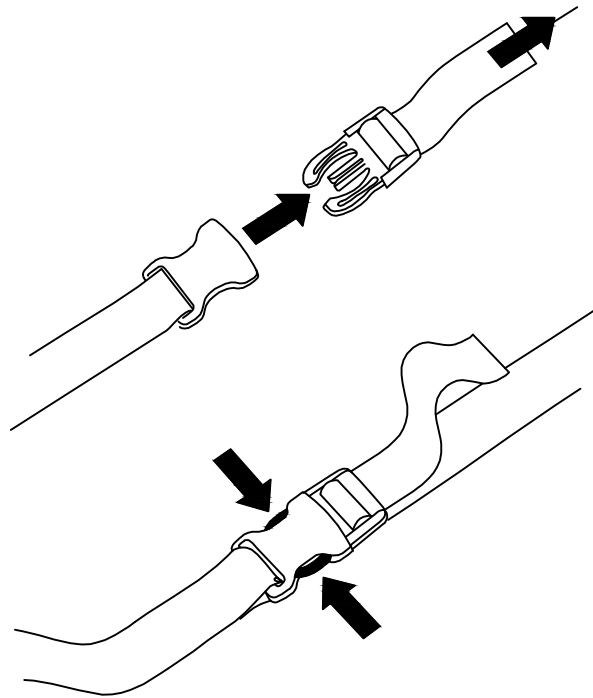
STEP 5 :

In sequence, Insert Allen Bolt (G) through Nylon Washer (E), and male half of the Belt (10). Continue through one of the Top Shelf (7) holes. Thread Hex Nut (F) onto bolt from below the Top Shelf (7). Tighten Allen Bolt and Hex Nut.

Repeat assembly for female half of the Belt (10).


Place Changing Pad (9) on top of Top Shelf (7) and bring Belts around edges to lay on top of Changing Pad.

USING OF SECURING BELT



Belt is used to secure child while attended only,
NEVER leave child unattended

- Lay infant on Mattress
- Securing Belt is placed over the infant's torso.
- Insert the buckle ends of each belt into each other until a "CLICK" is heard and ends become locked together.
- Gently pull the free end of the belt strap to adjust a snug fit around the infant.
- To Release press in the sides and pull apart,

 **CAUTION: ANY PAD USED IN THIS CHANGING STATION MUST BE AT LEAST 16.85 INCHES BY 31 INCHES (42.8 CM X 78.5 CM) WITH A THICKNESS NOT EXCEEDING 1 INCH (2.54 CM).**

 **WARNING**
FOR CHANGING STATION USE

- READ ALL INSTRUCTIONS BEFORE ASSEMBLING THIS CHANGING STATION.

KEEP INSTRUCTIONS FOR FUTURE USE.

- FAILURE TO FOLLOW THESE WARNINGS AND THE ASSEMBLY INSTRUCTIONS COULD RESULT IN SERIOUS INJURY OR DEATH.
- **DO NOT** USE THIS CHANGING STATION AS A CHANGING AREA IF THE RAILS ARE LOOSE, BROKEN OR MISSING.
- **DO NOT** USE THE CHANGING STATION IF IT IS DAMAGED OR BROKEN.
- **DO NOT** ALLOW THE CHILD OR CHILDREN TO CLIMB ON THIS CHANGING STATION.
- UPON COMPLETION OF ASSEMBLY, BE SURE ALL SCREWS, BOLTS AND FASTENING DEVICES HAVE BEEN TIGHTENED SECURELY. A FREQUENT CHECK SHOULD BE MADE OF ALL SCREWS, BOLTS AND FASTENING DEVICES AND TIGHTEN IF NEEDED.
- **DO NOT** USE THIS CHANGING TABLE AS A CHANGING AREA WHEN THE SECURITY BELTS ARE MISSING OR NOT PROPERLY SECURED.
- THIS PRODUCT IS NOT INTENDED TO BE USED AS A CHANGING STATION WITHOUT THE CHANGING PAD AND SECURING BELT. USE OF THE PRODUCT WITHOUT THE CHANGING PAD AND SECURING BELT MAY RESULT IN DEATH OR SERIOUS INJURY TO YOUR CHILD FROM FALLING. FOLLOW ALL INSTRUCTIONS ON ATTACHING AND USING THE SECURING BELT.
- **CAUTION:** THE PAD INTENDED FOR USE ON THE CHANGING TOPPER SHALL HAVE MINIMUM DIMENSIONS OF 16.85 INCHES BY 31 INCHES (42.8 CM X 78.5 CM) WITH A THICKNESS NOT EXCEEDING 1 INCH (2.54 CM).
- THE MAXIMUM WEIGHT SHALL NOT BE GREATER THAN 30 LB (13.6 KG).
- PLEASE CLEAN THE CHANGING TOPPER WITH A DRY CLOTH AND USE MILD WOOD POLISH IF REQUIRED.

**FALL HAZARD: CHILDREN HAVE SUFFERED SERIOUS INJURIES AFTER FALLING FROM CHANGING TABLE.
FALLS CAN HAPPEN QUICKLY**

- STAY IN ARM'S REACH OF YOUR CHILD.
- NEVER LEAVE CHILD UNATTENDED.
- DO NOT USE CHANGING TABLE, ADD-ON CHANGING UNIT, OR CONTOURED CHANGING PAD IF IT IS DAMAGED OR BROKEN.