






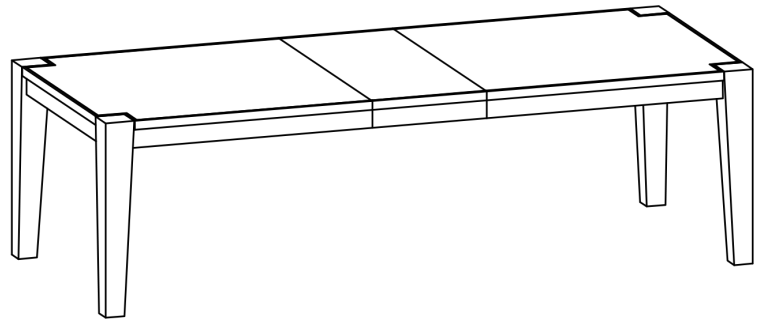


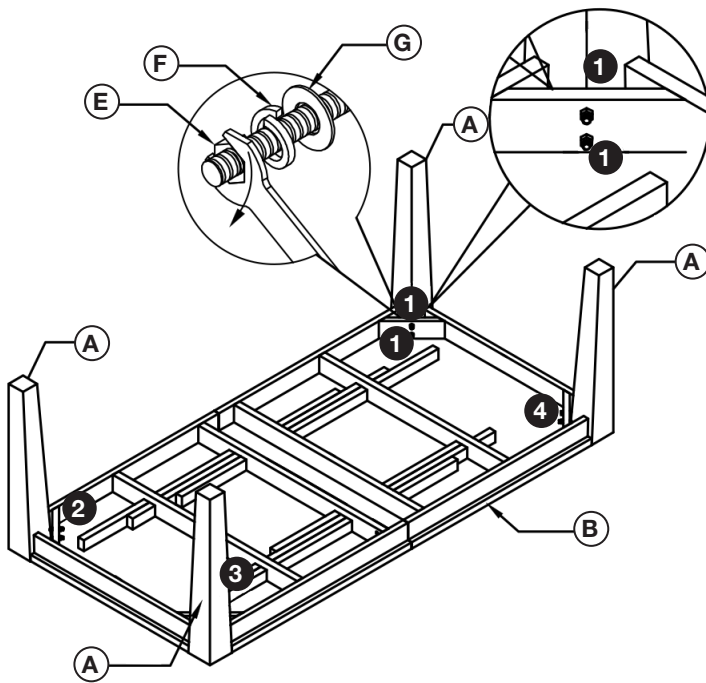
ASSEMBLY INSTRUCTIONS | CANAL EXTENSION DINING TABLE

PARTS CHECKLIST		
A		Table Legs (4pcs)
B		Table Base (1pc)
C		Extension Leaf (1pc)
D		Wrench (1pc)
E		Bolt (8pcs)
F		Spring Washer (8pcs)
G		Washer (8pcs)



Step 1

Assemble legs according to number labels.



Step 2

Insert extension leaf.

