




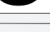
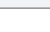
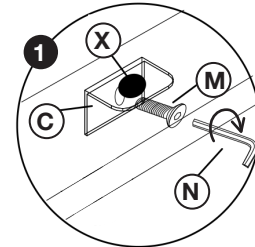


ASSEMBLY INSTRUCTIONS | CHANDLER UPHOLSTERED BED

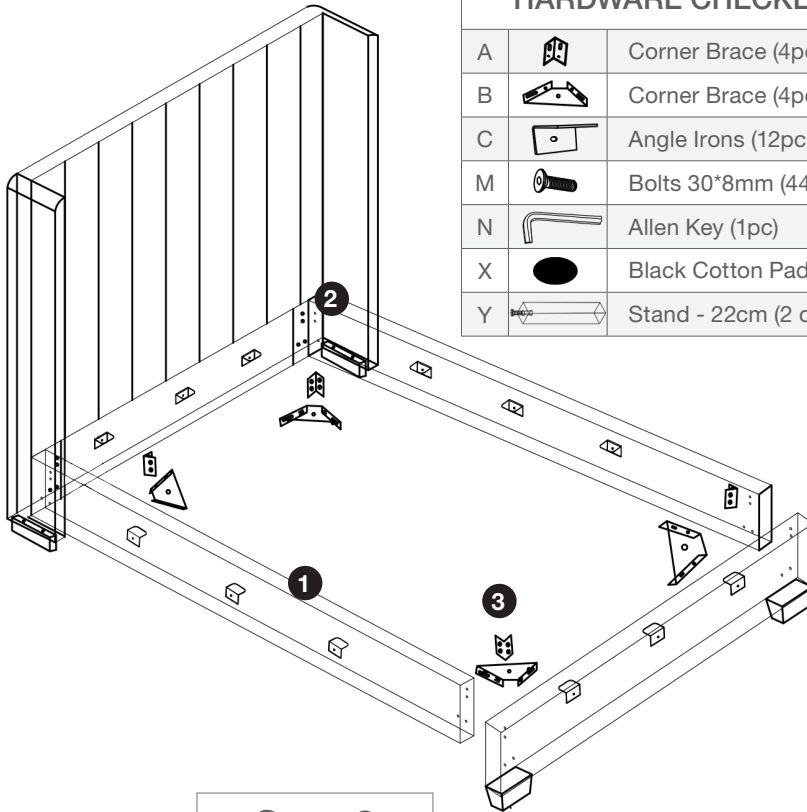
HARDWARE CHECKLIST		
A		Corner Brace (4pcs)
B		Corner Brace (4pcs)
C		Angle Irons (12pcs)
M		Bolts 30*8mm (44pcs)
N		Allen Key (1pc)
X		Black Cotton Pad (12pcs)
Y		Stand - 22cm (2 or 3pcs)

Step 1

Install type C angle irons along the inside of the headboard, side rails and footboard, then place type X cotton pads on top of type C angle irons

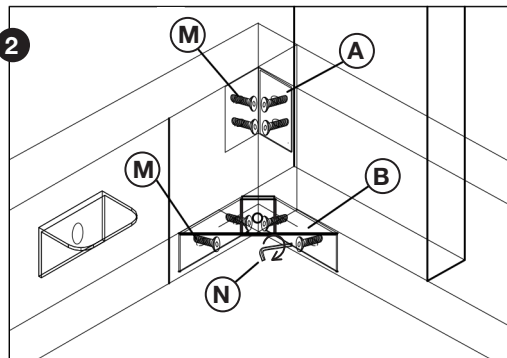


NOTE: The type M bolts are not in the hardware kit. They are already pre-installed.



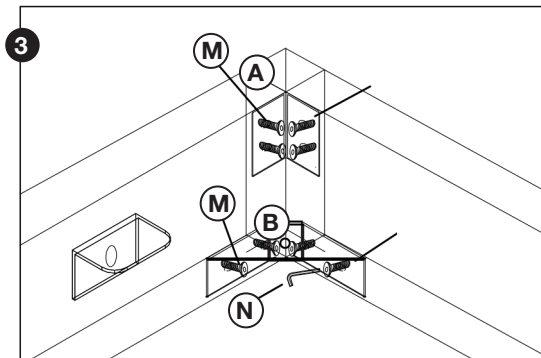
Step 2

Install type A & B corner braces to connect the headboard to the right and left side rails



Step 3

Use type A & B corner braces to connect the side rails and footboard



Step 4

For Queen Bed: Place slats on top of angle irons. Install the 2pcs type Y stands to the middle of the slat. Type Y stand height can be adjusted further as needed.

For Cal King & Std King Bed: Place slats on top of angle irons. Install the 3pcs type Y stands to the middle of the slat. Type Y stand height can be adjusted further as needed.

