

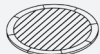





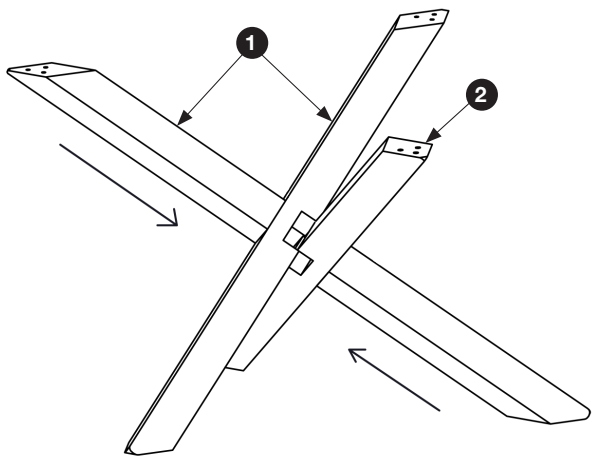


ASSEMBLY INSTRUCTIONS | BOCA OUTDOOR 63" RD DINING TABLE

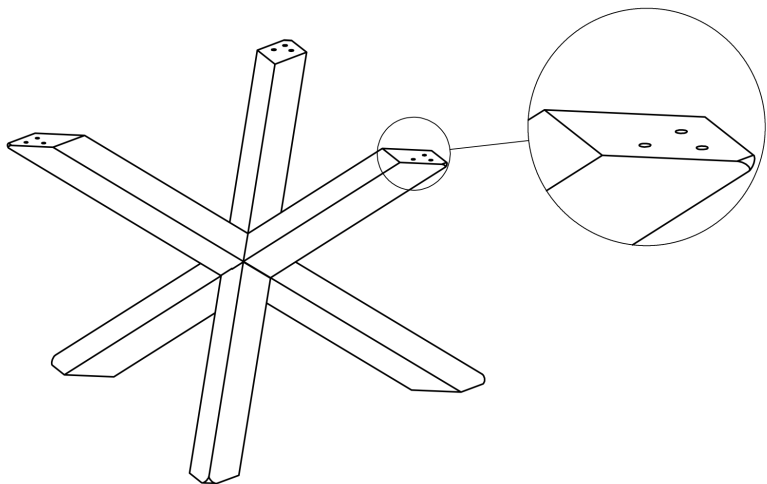
PARTS CHECKLIST		
1		Leg 1 (1pc)
2		Leg 2 (1pc)
3		Table Top (1pc)

HARDWARE CHECKLIST		
A		Allen Key (1 pc)
B		Iron Plat (3 pcs)
C		JF Bolt SS - M6x25mm (21 pcs)
D		Flat Washer M6 (12 pcs)
E		Spring Washer M6 (12 pcs)

Step 1

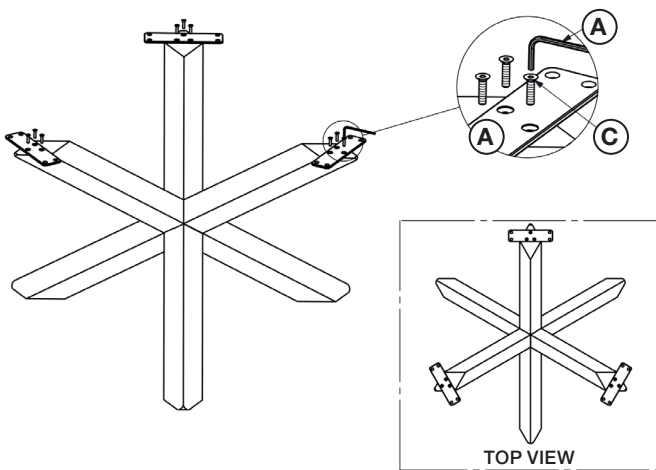


Step 2

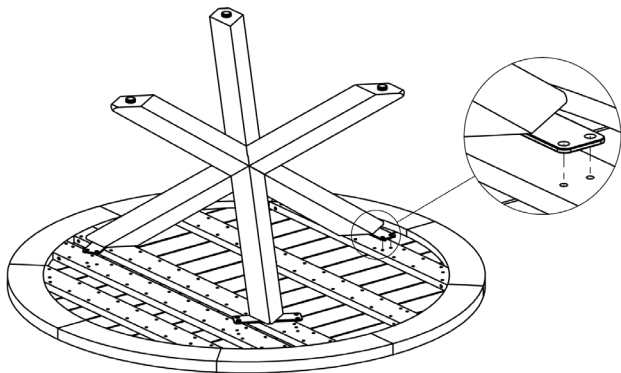


Step 3

Bolt only without washer countersink on the top side.



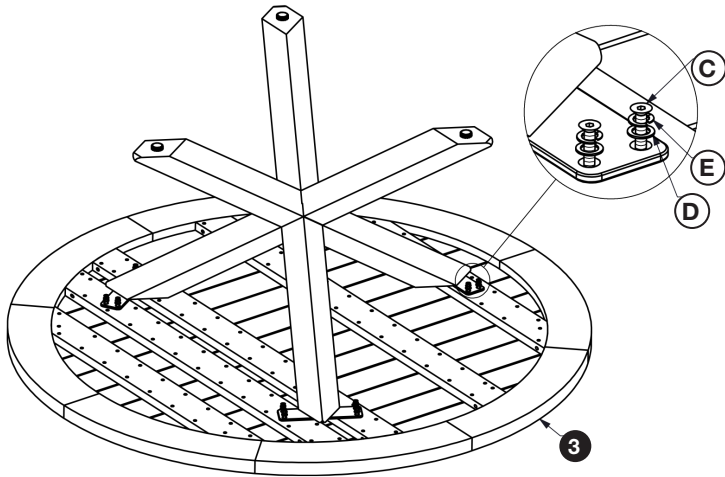
Step 4



ASSEMBLY INSTRUCTIONS | BOCA OUTDOOR 63" RD DINING TABLE

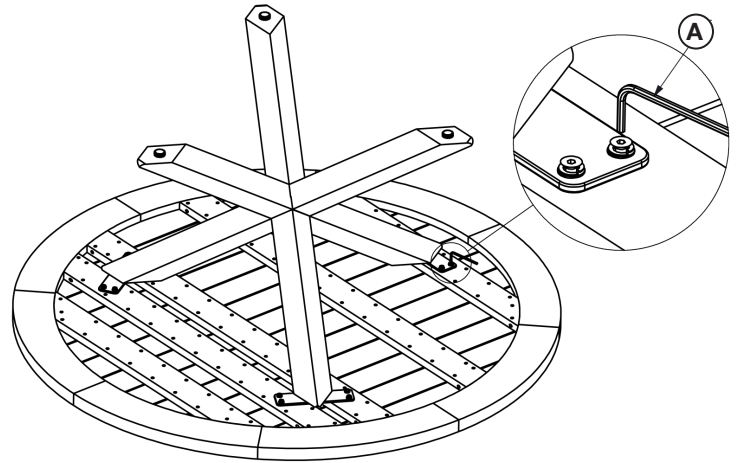
Step 5

Do not tighten the bolts until all bolts are connected

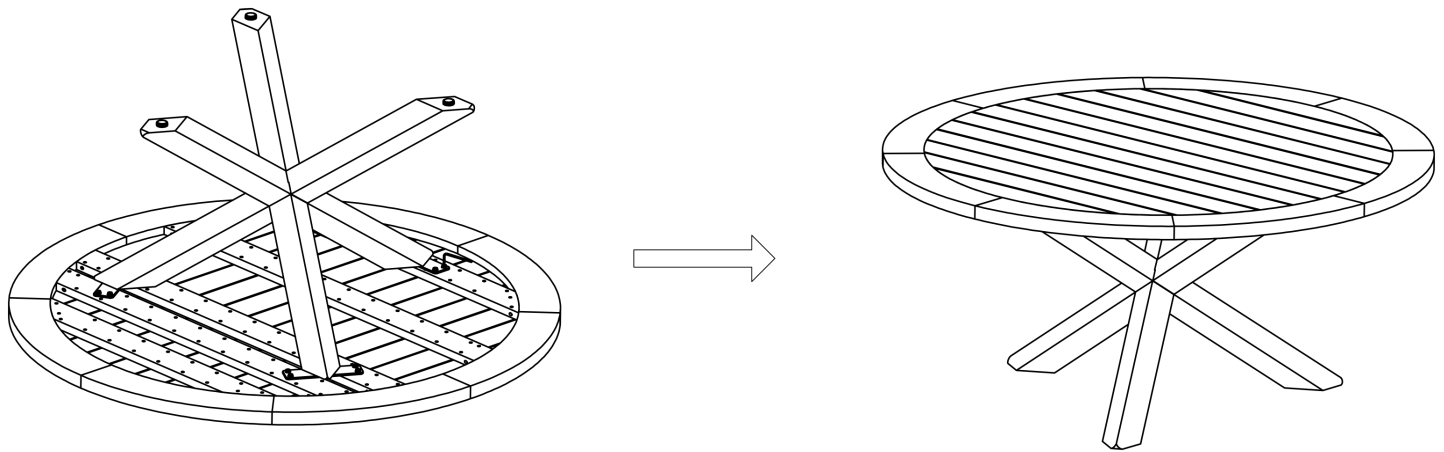


Step 6

Tighten the bolts after all are set on the screw hole



Step 7



Step 8

