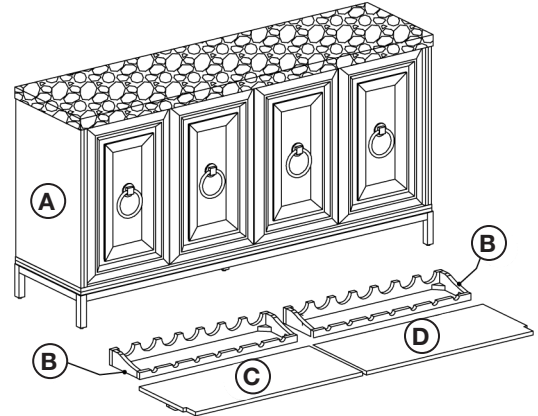


# ASSEMBLY INSTRUCTIONS | AZURE CARRERA MEDIA SIDEBOARD

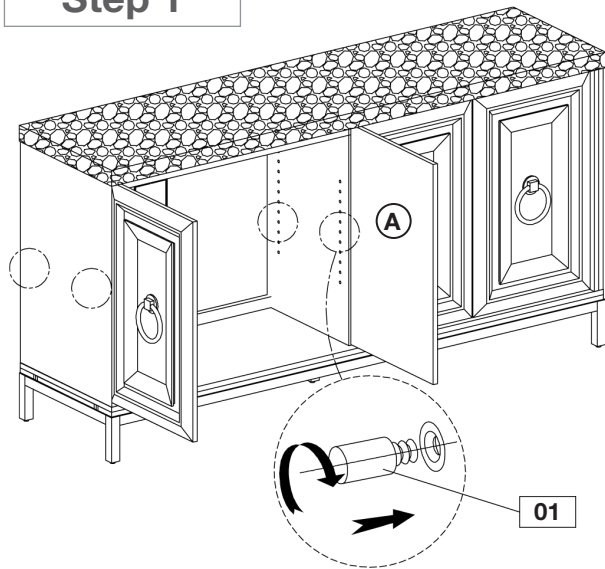
PARTS	
A	Body (1pc)
B	Wine Rack (2pcs)
C	Left Shelf (1pc)
D	Right Shelf (1pc)

HARDWARE CHECKLIST		
01		Shelf Pin (8pcs)

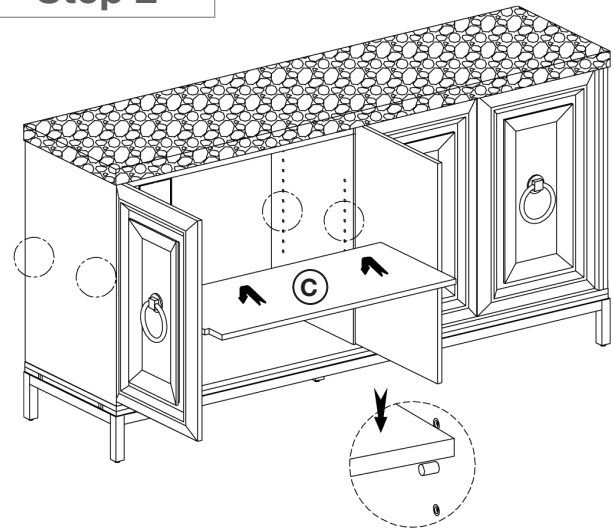
Please do not begin assembly or discard any packaging until you have checked that all the parts and hardware are present. Follow instructions closely as deviation from them may void your warranty and present a possible safety risk. It is recommended that assembly is done on a soft surface to avoid any damage. Periodically check and re-tighten any fasteners. Wipe down all surfaces weekly with a clean cloth. Do not clean any surfaces with harsh abrasives or chemicals.



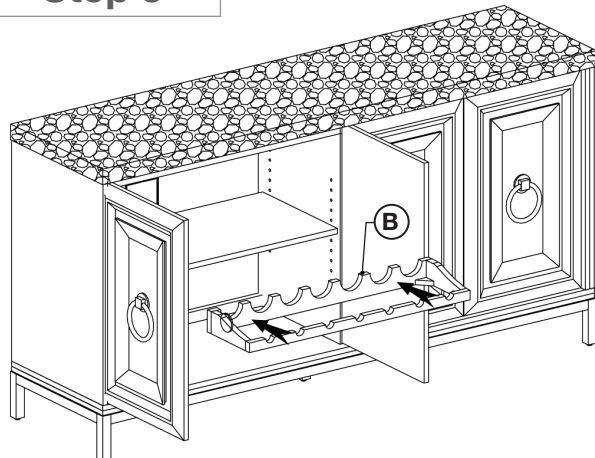
## Step 1



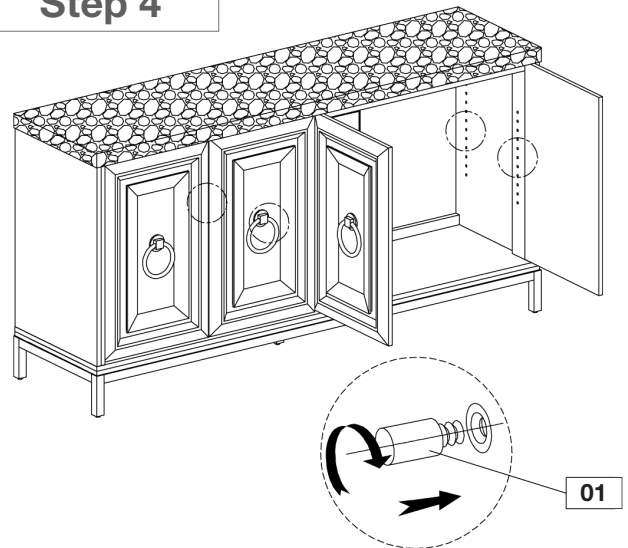
## Step 2



## Step 3

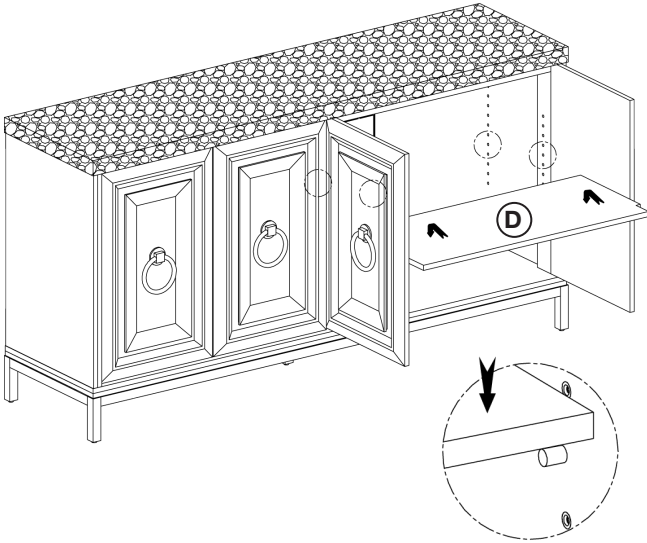


## Step 4

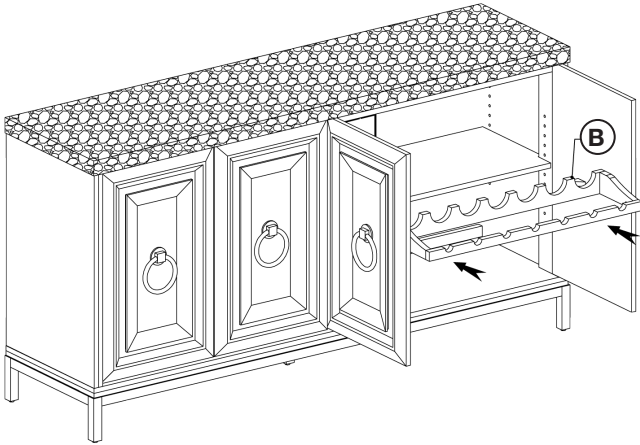


# ASSEMBLY INSTRUCTIONS | AZURE CARRERA MEDIA SIDEBOARD

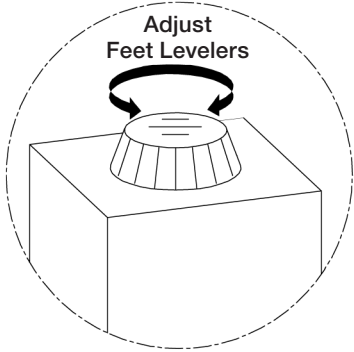
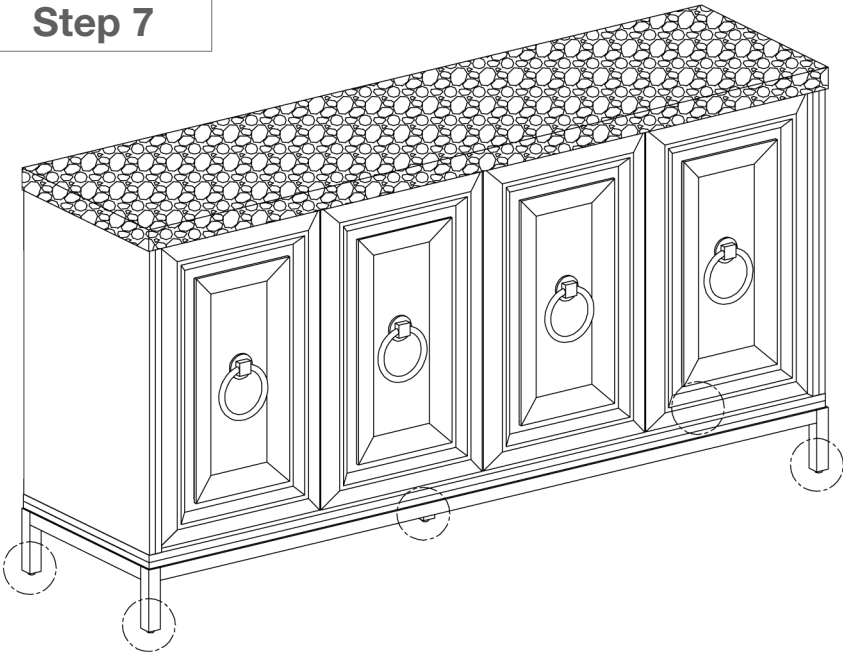
**Step 5**



**Step 6**



**Step 7**

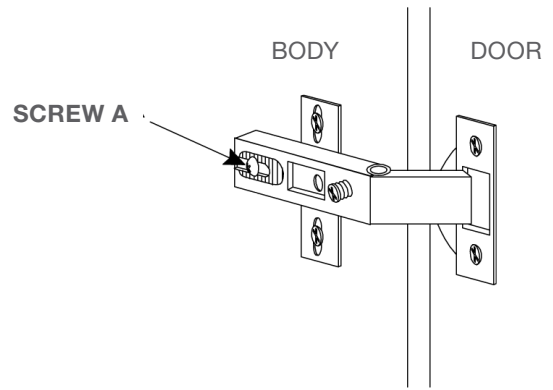
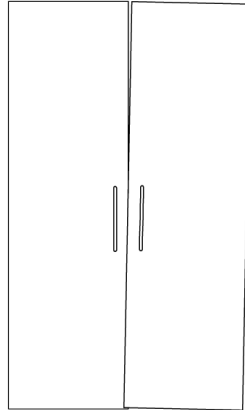


# ASSEMBLY INSTRUCTIONS | AZURE CARRERA MEDIA SIDEBOARD

## LATERAL MOVEMENT

**Issue:**  
Right and left sides of the door are not sitting flush with the side panel

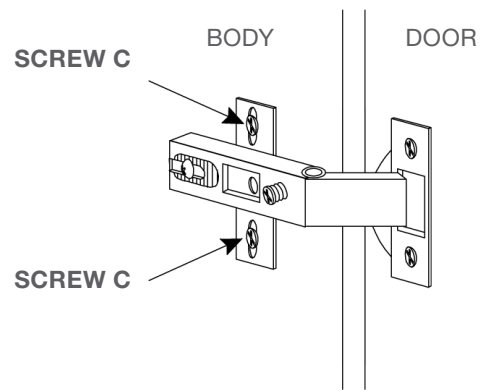
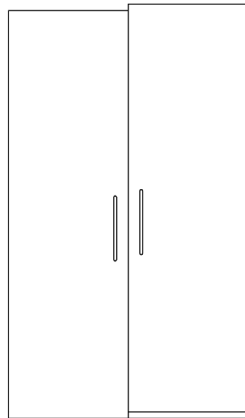
**Solution:**  
To move the door towards or away from the center of the unit, loosen screw **A**. Adjust the door and then tighten the screw.



## VERTICAL MOVEMENT

**Issue:**  
The top and bottom of the door are not sitting flush with the vertical panel

**Solution:**  
To move the door towards or away from the center of the horizontal panels, loosen screws **C**. Adjust the door and tighten the screws.



## HORIZONTAL MOVEMENT

**Issue:**  
The door will appear too far/close from the front edge of the side panel leaving a gap behind the door

**Solution:**  
To move the door towards or away from the unit, adjust screw **B** and move the door forwards/backwards until there is an even gap between the door and front edge of the side panel.

