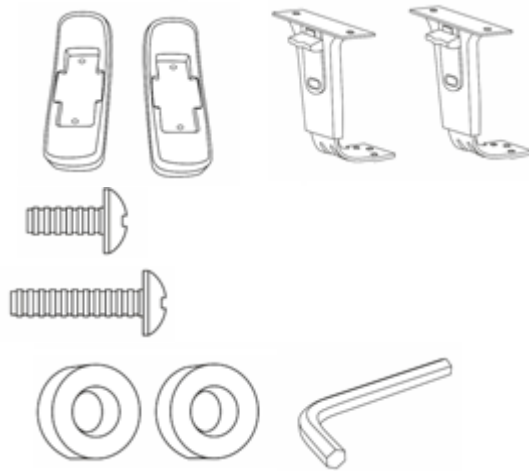




Model # 6700-A Kangaroo stool Arms Assembly Instructions

Parts:

- 1) Two Arm Pads
- 2) Two Arms
- 3) Four 15mm screws to assemble arm pads to Arms
- 4) Six 25mm screws to assemble arms to stool
- 5) Two plastic washers
- 6) Allan key

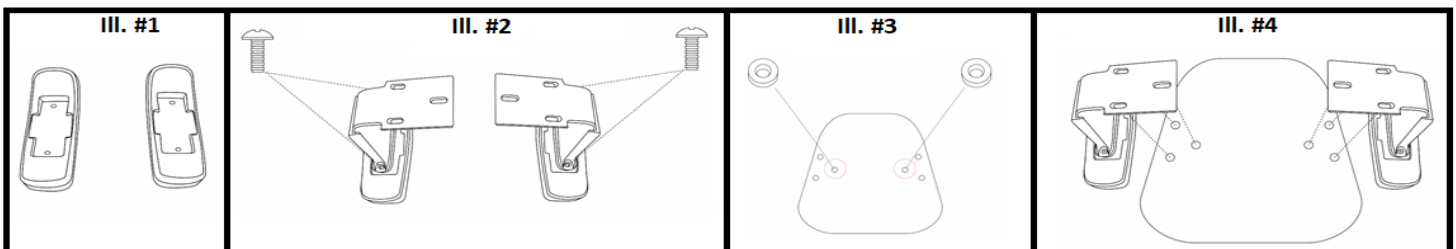


Step #1– Attaching Arm Pads to Arms

- 1) Place Arm pads on a table or flat surface with curved side facing the front. See Ill. #1.
- 2) Place arm with holes on arm bracket aligned with holes on arm pad. Using two 15mm screws for each arm, attach arms to arm pads and tighten with enclosed Allan key. See Ill.#2.

Step #2– Attaching Arms to Stool

- 1) Place stool upside down on a table and identify the three arm screw inserts on each side of the underside of stool seat. See Ill #3.
- 2) Firmly insert one black plastic washer into the center screw insert of each side. See illustration Ill #3.
- 3) Align the three screw holes located on surface of Arms with the three screw inserts on the underside of the seat. See Ill #4.
- 4) Using three 25mm screws, attach arm to underside of seat and tighten with the enclosed Allan key. Repeat for second arm.



Dear Valued Customer,

Thank you for your purchase. Although extreme care goes into manufacturing and packaging of this product, mistakes are possible. If you encounter any missing parts or difficulty in assembly, etc. please call our toll-free customer service line at 1-800-261-4112 for courteous and immediate resolution to your problem.

Sincerely,

National Public Seating