



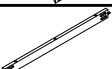

ASSEMBLY INSTRUCTIONS

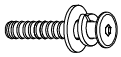
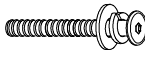
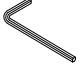
Item No : D1750-10
Thea 70" Rectangular Dining Table

Thank you for purchasing this quality product. Be sure to check all packing materials carefully for small parts, which may have come loose inside the carton during shipment. Identify and count all items and compare with the parts list and/or hardware list shown below.

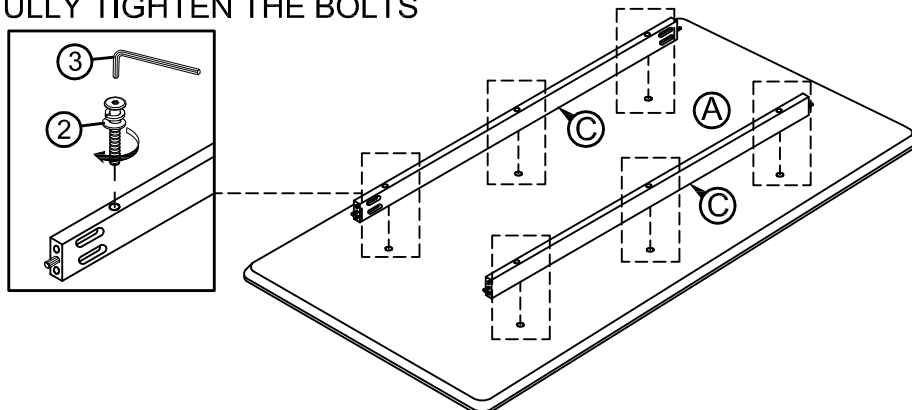
IMPORTANT NOTE :

- * PLACE ALL WOODEN PARTS ON A CLEAN AND SMOOTH SURFACE SUCH AS A RUG OR CARPET TO AVOID THE PARTS FROM BEING SCRATCHED.
- * PLEASE DO NOT OVERTIGHTEN THE SCREWS TO AVOID CRACKING THE PARTS.
- * BEFORE YOU BEGIN, KINDLY REVIEW THE ASSEMBLY INSTRUCTIONS AND FOLLOW STEP BY STEP.
- * KEEP ALL HARDWARE PARTS OUT OF REACH OF CHILDREN.

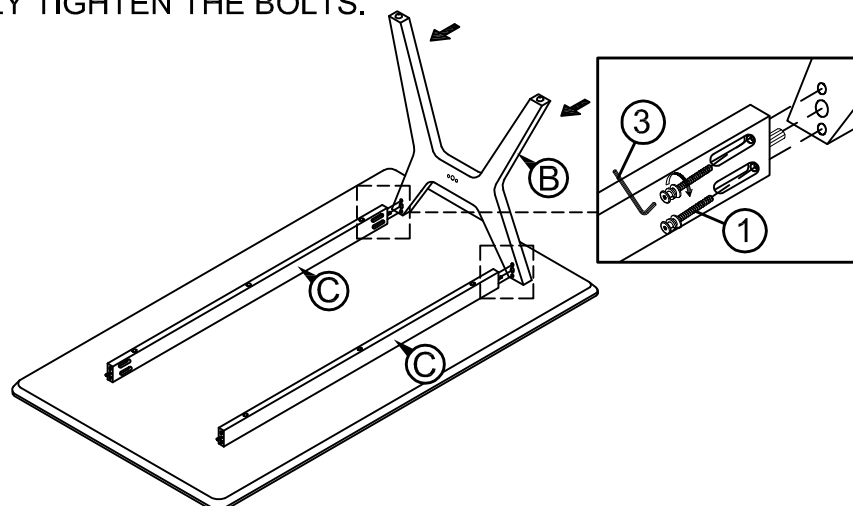
| PARTS LIST | | | |
|------------|---------------|---|-------|
| NO | DESCRIPTION | SKETCH | QTY |
| A | Table Top |  | 1 Pc |
| B | Table Leg |  | 2 Pcs |
| C | Long Apron |  | 2 Pcs |
| D | Leg Stretcher |  | 1 Pc |

| HARDWARE LIST | | | |
|---------------|---|---|--------|
| NO | DESCRIPTION | SKETCH | QTY |
| 1 | JCBC Bolt M6 x 1 6/8" w/ Spring Washer M6 and Flat Washer M6 x 4/8" |  | 12 Pcs |
| 2 | JCBC Bolt M6 x 2 3/8" w/ Spring Washer M6 and Flat Washer M6 x 4/8" |  | 6 Pcs |
| 3 | Allen Key M4 |  | 1 Pc |

STEP 1 : Place the Table Top (A) upside down on a soft and clean surface. Then, align Long Apron (C) through the holes on (A). Then, insert hardware (2) and tighten by using Allen Key (3).
*DO NOT FULLY TIGHTEN THE BOLTS

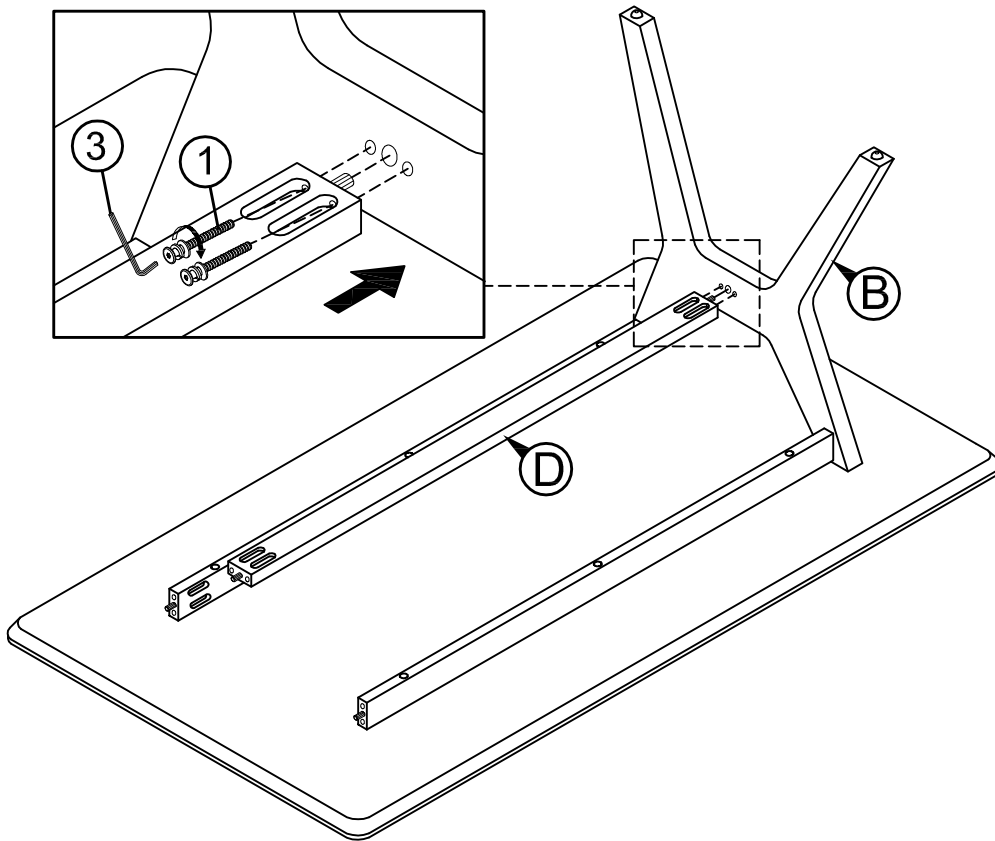


STEP 2 : Install Table Leg (B) through pre-installed wood dowels at Long Apron (C). Then, assemble (C) to Table Leg (B) by using Allen Key (3) with the hardware (1).
*DO NOT FULLY TIGHTEN THE BOLTS.



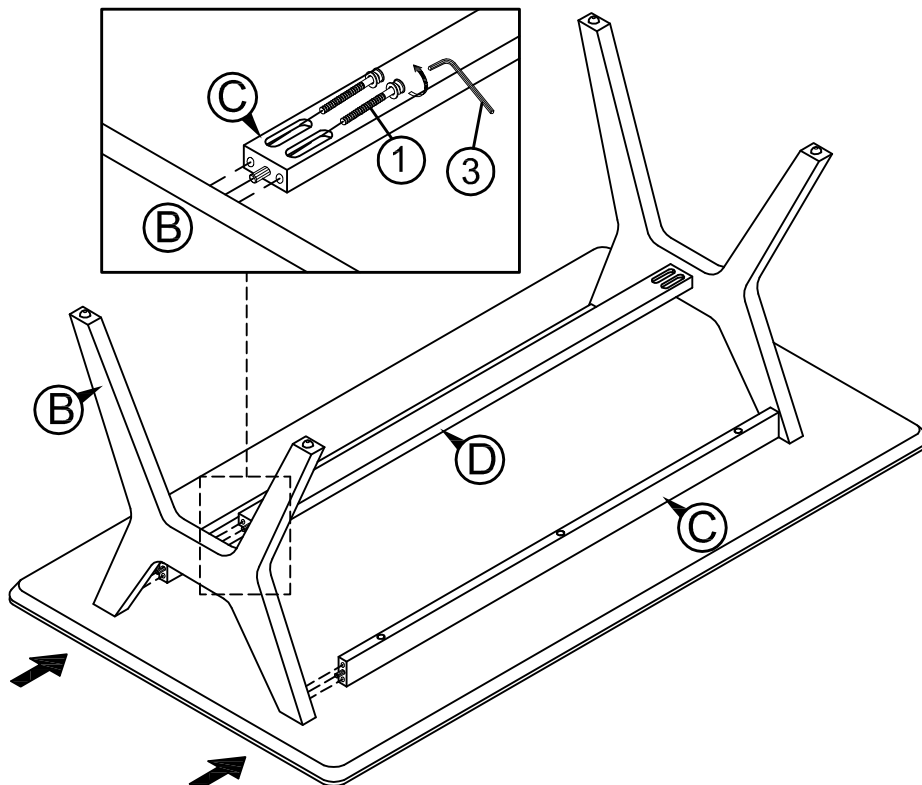
STEP 3 : Install Leg Stretcher (D) by align the holes on Table Leg (B) and tighten by using Allen Key (3) with hardware (1).

***DO NOT FULLY TIGHTEN THE BOLTS.**

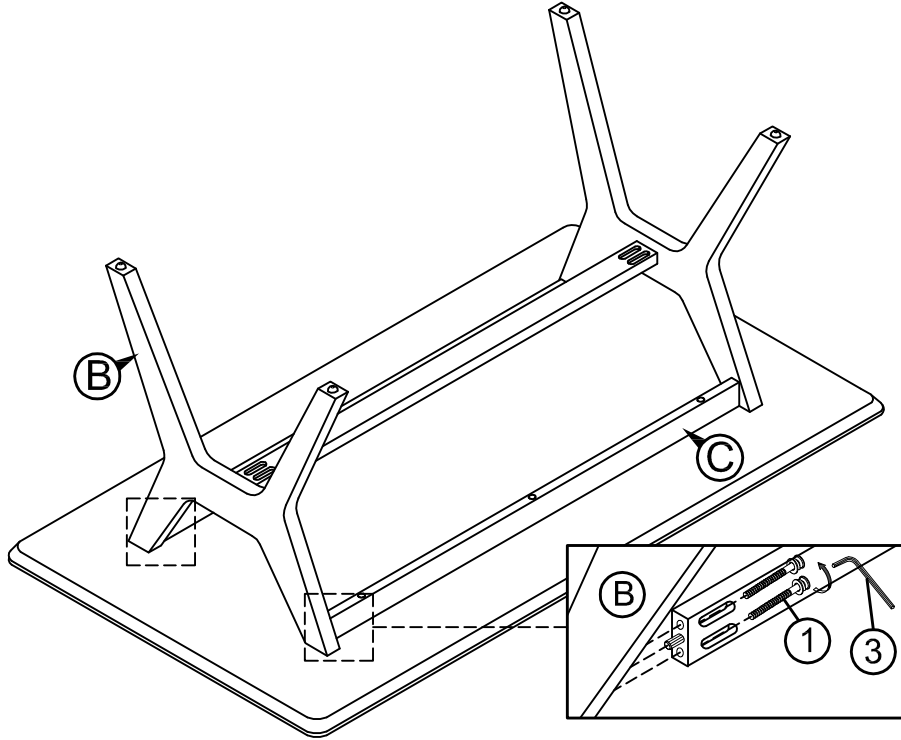


STEP 4 : Install another Table Leg (B) Stretcher through pre-installed wood dowels at Long Apron (C) and Leg Stretcher (D). Then, assemble (D) to Table Leg (B) by using Allen Key (3) with hardware (1).

***DO NOT FULLY TIGHTEN THE BOLTS.**



STEP 5 : Assemble Long Apron (C) to Table Leg (B) by using Allen Key (3) with the hardware (1).
*PLEASE FULLY TIGHTEN THE BOLT NOW.



STEP 6 : The assembly is complete.

