

# Assembly Instruction

ITEM: Y2159/Y2159C- 510 - ALLEGRA 3/3 T HEADBOARD










Y2159/Y2159C- 528 - ALLEGRA 3/3 T STORAGE FOOTBOARD & SLATS





Y2159/Y2159C- 530 - ALLEGRA 3/3-4/6 T/F SIDE RAILS

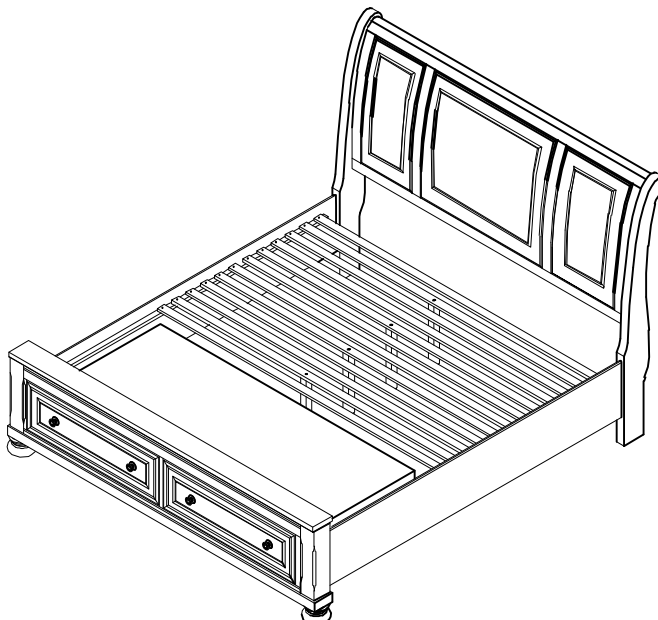
**Thank you for purchasing this quality product. Be sure to check all packing materials carefully for small parts, which may have come loose inside the carton during shipment. Identify and count all items and compare with the PARTS LIST and/or HARDWARE LIST shown below.**

**Caution: Please read the instructions thoroughly before assembly.**

1. We recommend that you assemble this product with the assistance of another person; this will make the assembly easier, and will help eliminate damage to the product or injury to persons during assembly.
2. Please do not over tighten screws or bolts until the assembly is completed.
3. Please put all parts on a non-abrasive floor before assembly, and follow the assembly steps to assemble your newly purchased product correctly and efficiently.

NO:		PART LIST	Q'TY
A		Headboard	1PC
B		Left Headboard Leg	1PC
C		Right Headboard Leg	1PC
D		Footboard W / Drawers	1PC
E		Leg	2PCS
F		Support Leg Of Drawer	2PCS
G		Support Leg Of Slats	4PCS
H		Slats	1SET
I		Rail	2PCS

NO:		HARDWARE LIST	Q'TY
1		Allen Wrench (4mm)	1PC
2		Ø5/16" *1-1/2"L Allen Bolt	6PCS
		Ø5/16" Spring Washer	6PCS
		Ø5/16" *Ø19"mm Flat Washer	6PCS
3		Ø5/16" *Ø19"mm Flat Washer	2PCS
4		Ø8*Ø4*1-1/4"L Wood Screw	24PCS



Assembly completed

MADE IN VIETNAM

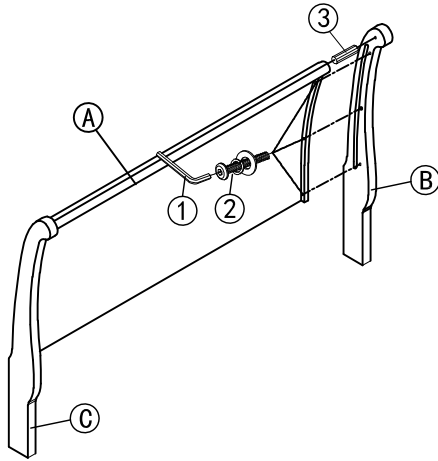
# Assembly Instruction

ITEM: Y2159/Y2159C- 510 - ALLEGRA 3/3 T HEADBOARD

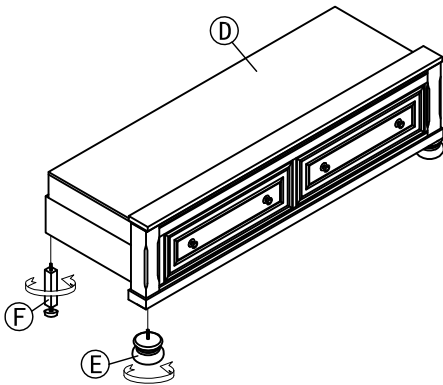
Y2159/Y2159C- 528 - ALLEGRA 3/3 T STORAGE FOOTBOARD & SLATS

Y2159/Y2159C- 530 - ALLEGRA 3/3-4/6 T/F SIDE RAILS

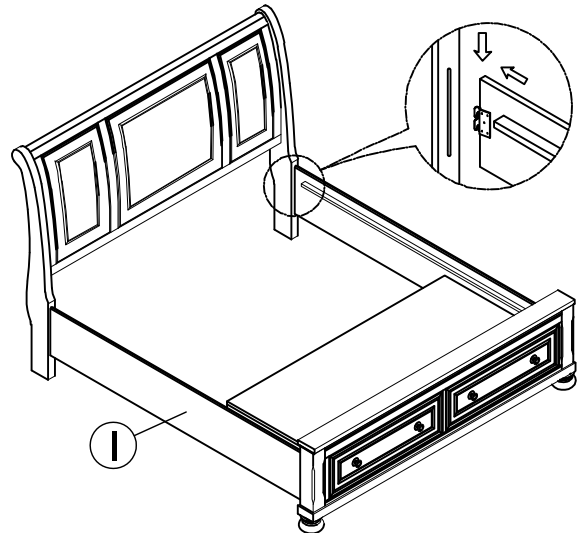
## STEP1



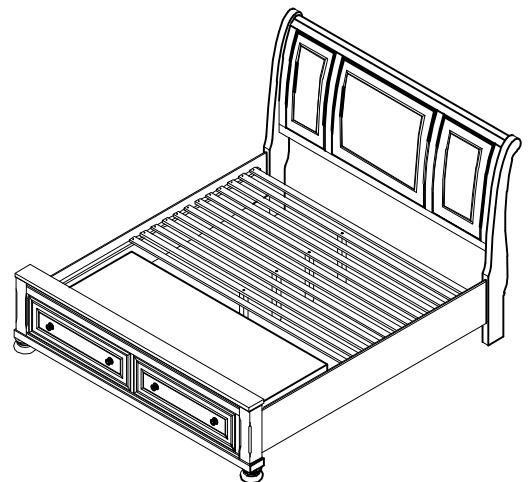
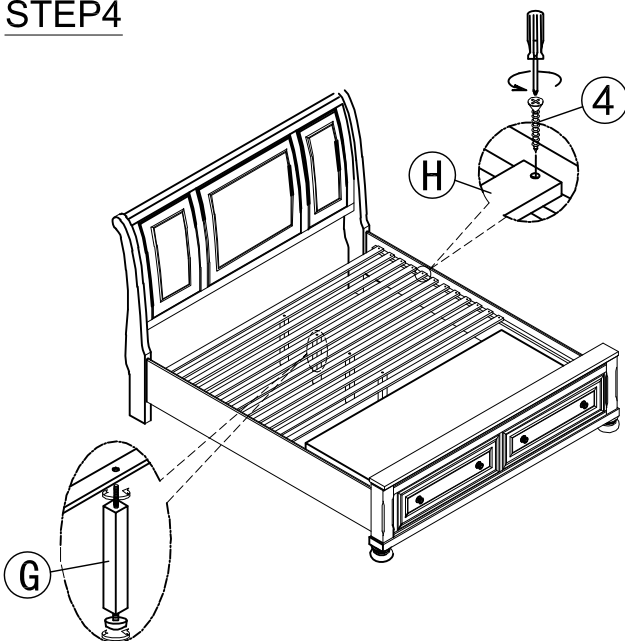
## STEP2



## STEP3



## STEP4



Assembly completed

MADE IN VIETNAM