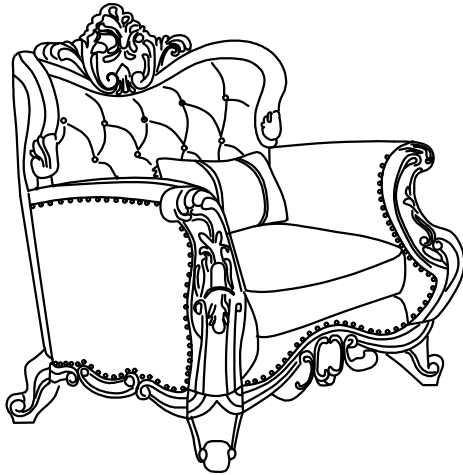




ASSEMBLY INSTRUCTIONS

U532-10 Constantine Chair

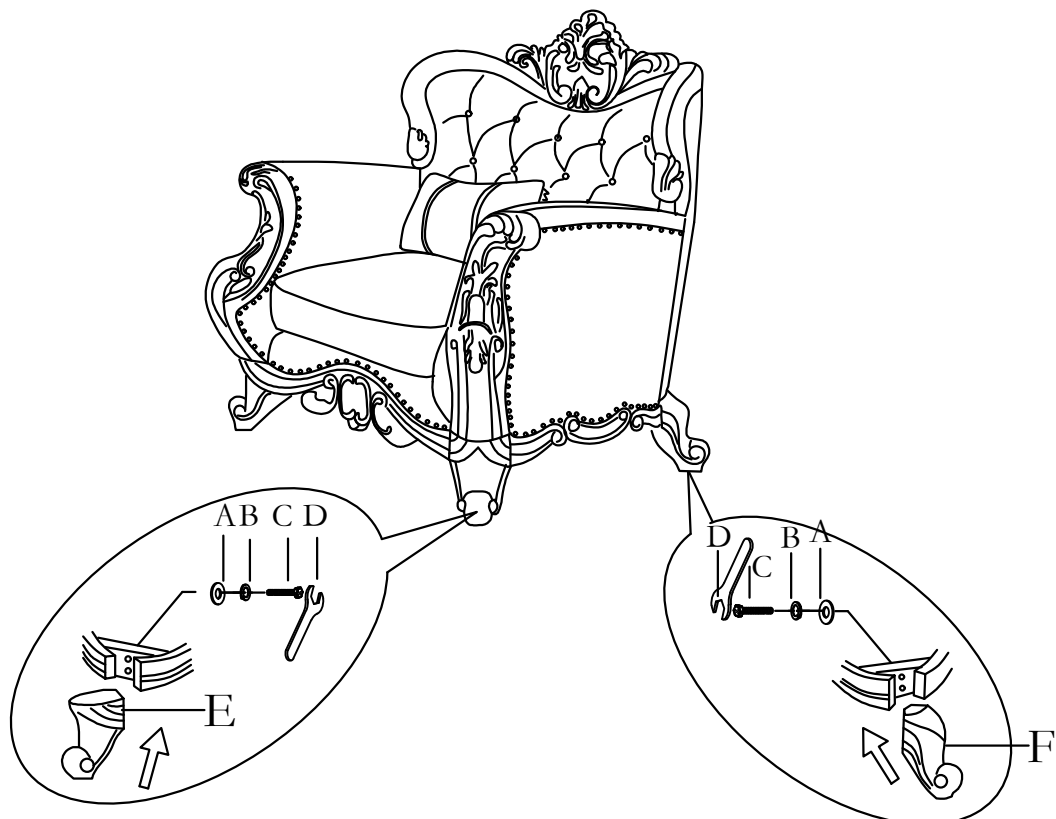
Thank you for purchasing this quality product. Be sure to check all packing material carefully for small parts, which may have come loose inside the carton during shipment. Identify and count all parts and compare with the hardware list below



HARDWARE LIST:

A		φ 5/16"*23mm	9PCS
B		φ 5/16"	9PCS
C		φ 5/16"*2-1/2"	9PCS
D		12mm Open Wrench	1PC
E		Front Legs	2PCS
F		Back Legs	2PCS
H		Sofa Back	1PC
I		Sofa Arm&seat frame	1PC

1. For transportation purposes, disposable legs are placed to avoid damage. Please remove the disposable legs and install with product legs located at the bottom of the product.
2. Take the legs (E & F) out from the bottom, then assemble the legs (E & F) with A, B, C.



NOTICE:

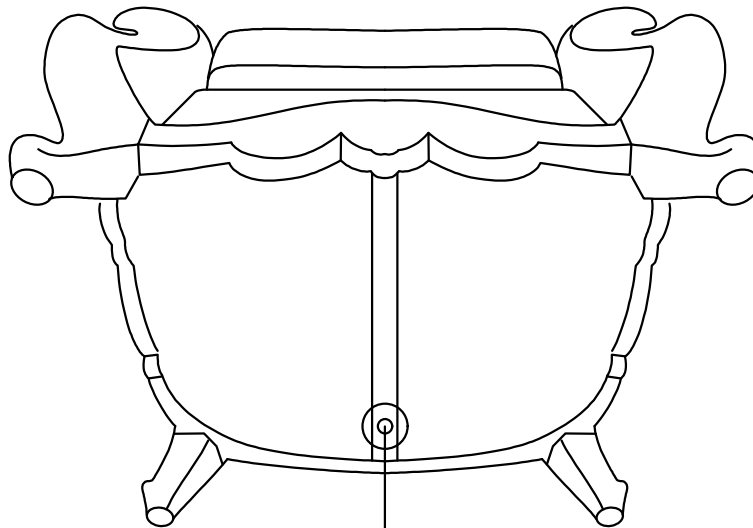
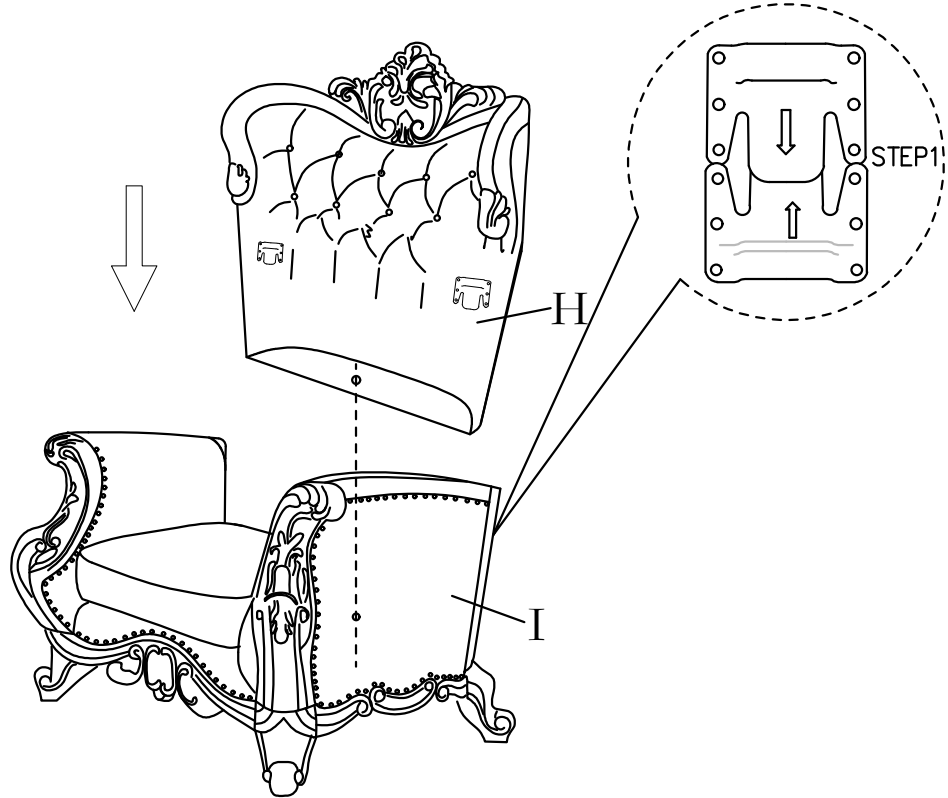
- (1) Do not transport upholstery with product legs, always transport product with disposable legs
- (2) Do not use an electric drill to install product legs, please use the open wrench provided
- (3) To move the upholstery, please always lift upholstery to move upholstery to new desired position



ASSEMBLY INSTRUCTIONS

U532-10 Constantine Chair

Please follow the instructions below if you will like to remove the upholstery back for storage or moving through doorways or passages.



Insert a bolt (#C) with a lock washer (#B) and a flat washer (#A) into the holes along the bottom of the seat. Secure using the open wrench (#D).

