

ASSEMBLY INSTRUCTIONS

QUADE COLLECTION

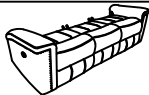

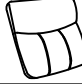



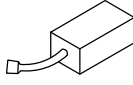
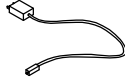
ITEM#: U1798-30P1

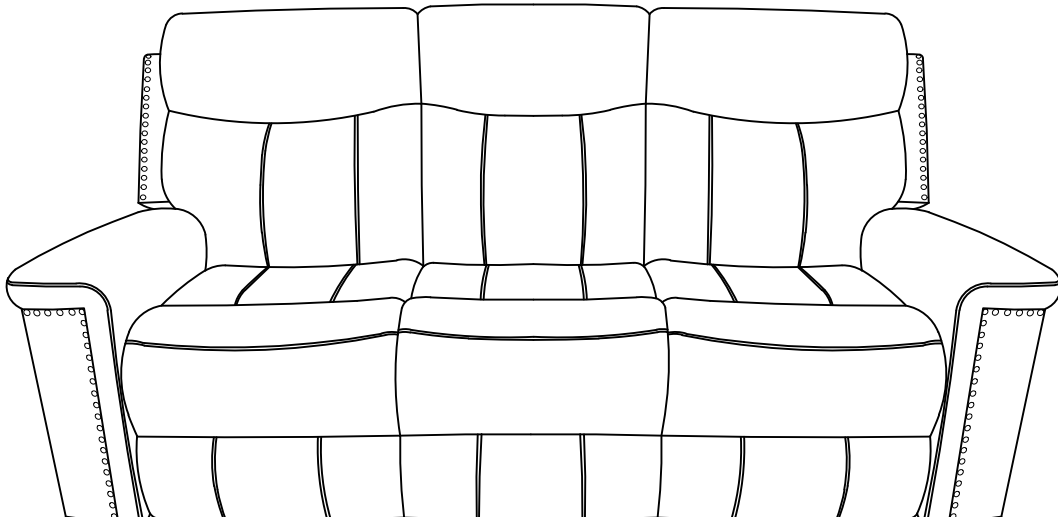
DESCRIPTION : QUADE SOFA W/PWR FR

Thank you for purchasing this quality product. Be sure to check all packing materials carefully for small parts, which may have come loose during shipment. Identify and count all items and compare with the parts list shown below. It is recommended to have two people during assembling and to remove the back and base of the furniture out from the box.

Please follow the drawings below to assemble the item

Parts List

NO.	DESCRIPTION	SKETCH	Q'TY
A	Seat		1 PC
B	Left Backrest		1 PC
C	Middle Backrest		1 PC
D	Right Backrest		1 PC
E	Left wing		1 PC
F	Right wing		1 PC
G	Transformer		1 PC
H	Plug		1 PC



All images shown are for illustration purpose only.
Actual product may vary due to product enhancement.

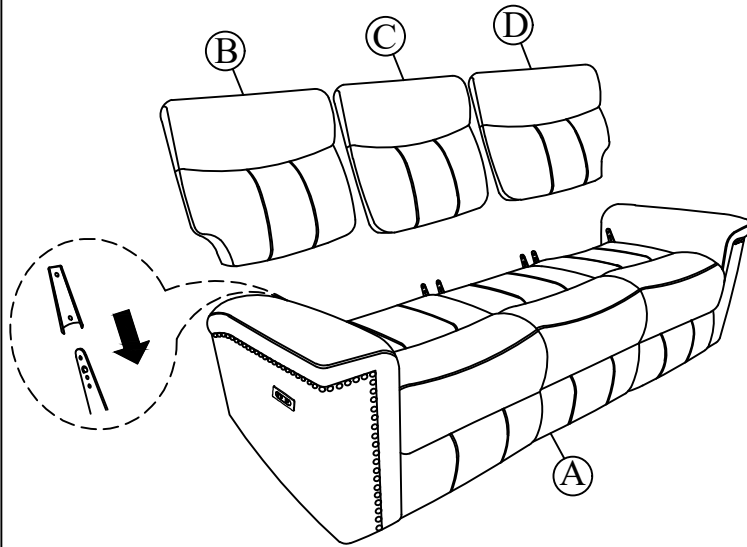
ASSEMBLY INSTRUCTIONS
QUADE COLLECTION

ITEM#: U1798-30P1

DESCRIPTION : QUADE SOFA W/PWR FR

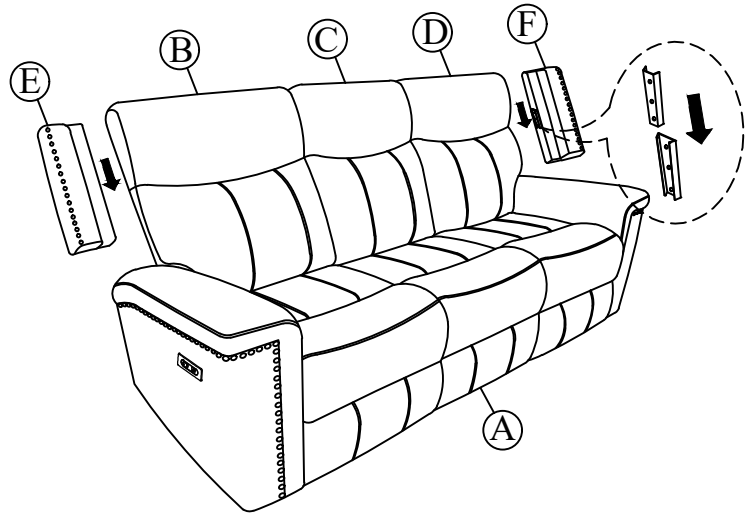
Step 1:

Attach Backrest (B/C/D) to the Seat (A).



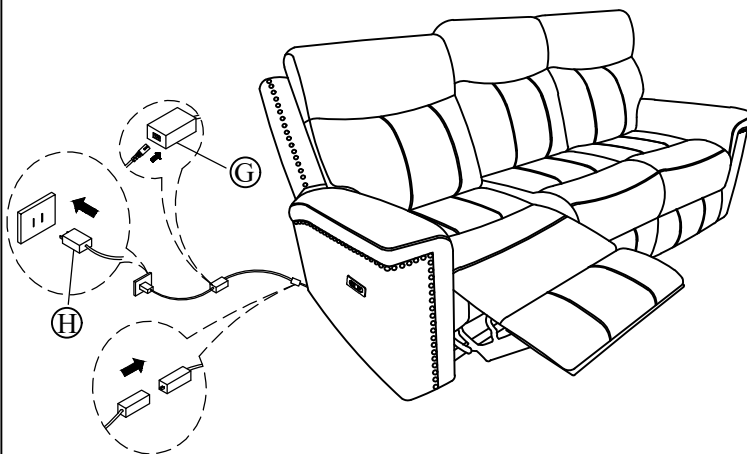
Step 2:

Attach the Left/Right Wings (E/F) to the Left/Right side of the Backrest (B/D).



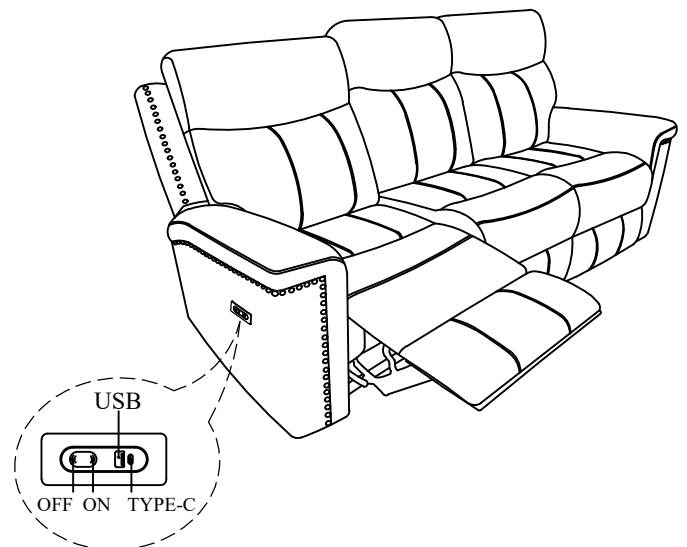
Step 3:

Connect the power wire under the Armrest frame to the power source through out the Transformer (G) and The Plug (H).



Step 4:

Open the Footrest by pressing the power button on/off.



All images shown are for illustration purpose only.
Actual product may vary due to product enhancement.