

# ASSEMBLY INSTRUCTIONS






ORION COLLECTION

ITEM: U1769-13P2

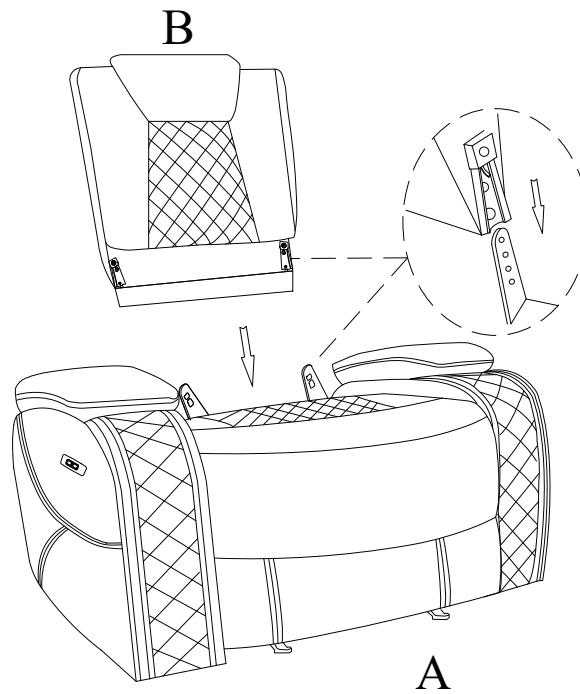
DESCRIPTION: ORION GLIDER RECLINER W/ PWR FR & HR

Thank you for purchasing this quality product. Be sure to check all packing materials carefully for small parts, which may have come loose during shipment. Identify and count all items and compare with the parts list shown below. It is recommended to have two people during assembling and to remove the back and base of the furniture out from the box .

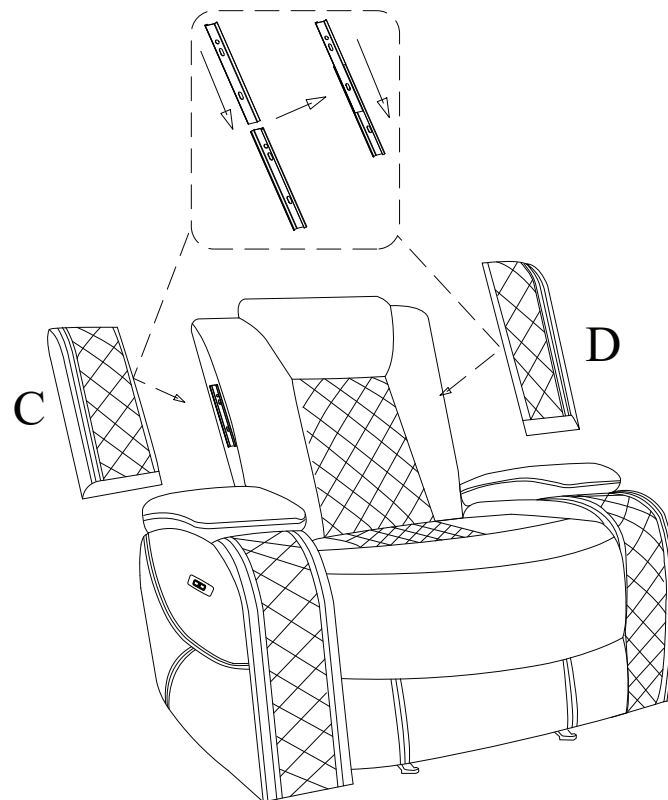
**Please follow the drawings below to assemble the item**

PARTS LIST			
NO.	DESCRIPTION	SKETCH	QTY
A	Seat		1PC
B	Backrest		1PC
C	Left Wing		1PC
D	Right Wing		1PC
E	Power Cable		1PC

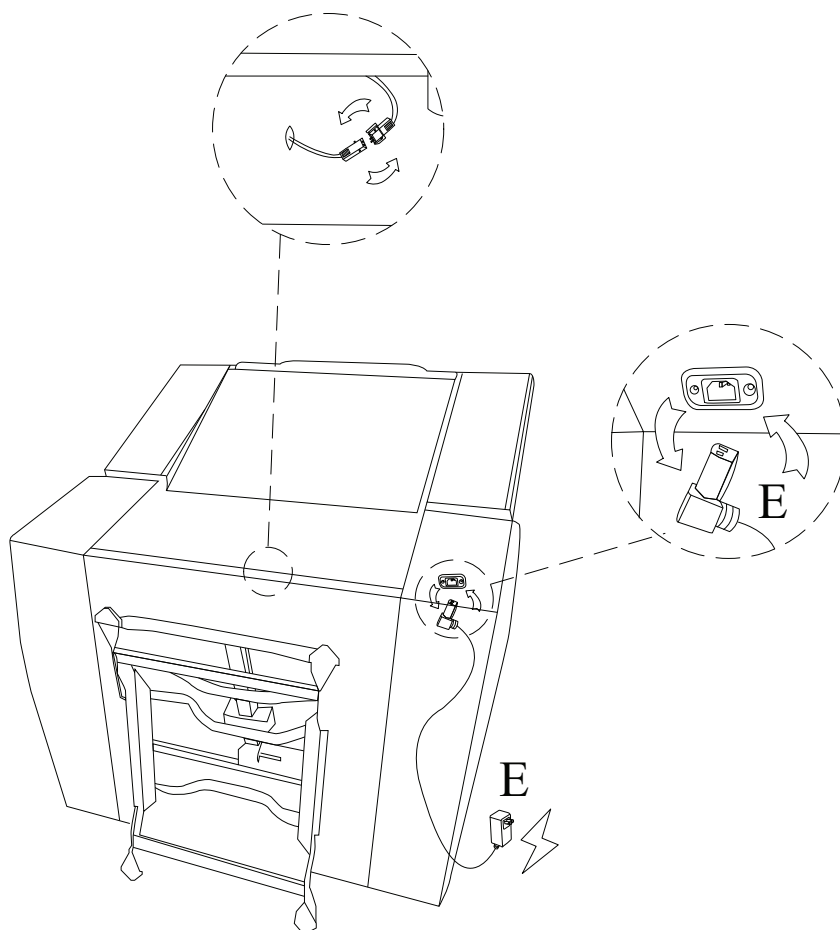
**STEP 1:** Insert the KD backrests (B) to the seat (A) and make sure the backrest is secured in position



**STEP 2:** Insert the left wing (C) and right wing (D) into the backrest (B) and make sure it is secured in position



**STEP 3:** Connect Left and Right seat to power via connector at the bottom of seat frame. At the other side, plug the connector of adaptor (E) to arm side.



**STEP 4:** Completed as picture below

