





# ASSEMBLY INSTRUCTIONS



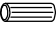


Model : T373-10 Vesta Coffee Table

Thank you for purchasing this quality product. Be sure to check all packing materials carefully for small parts, which may have come loose inside the carton during shipment. Identify and count all items and compare with the PARTS LIST and/or HARDWARE LIST show below.

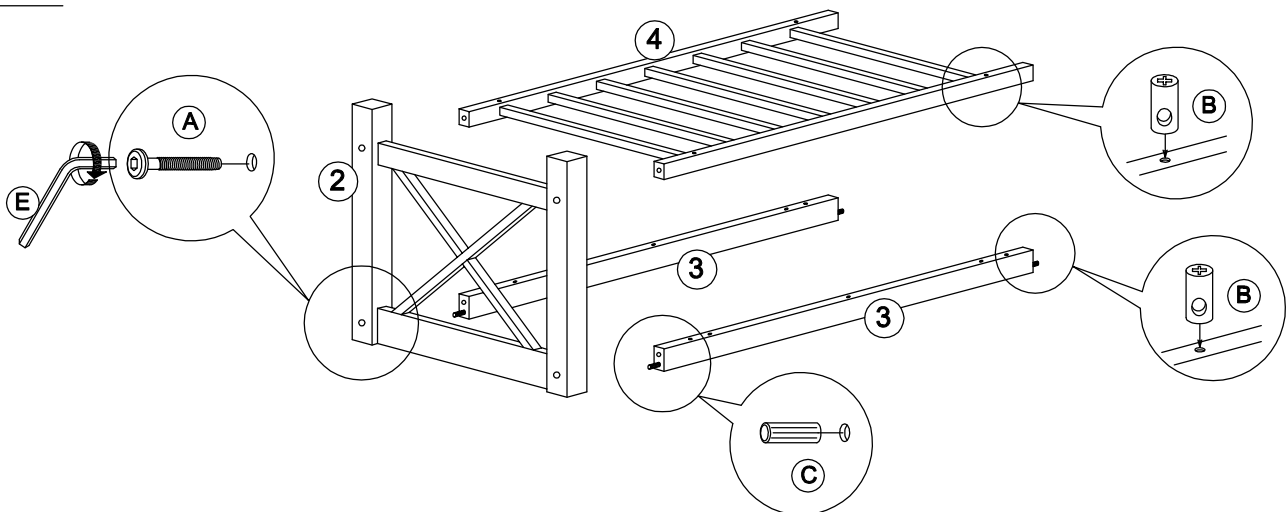
**CAUTIONS :**

1. We recommend that you assemble this product with the assistance of another person : this well make the assembly easier, and will help eliminate damage to the product or injury to the persons during assembly.
2. Do not over tightened the screws and bolts as it may damage the threads.
3. Keep all hardware parts out of the reach fo children.
4. Please "LIFT UP & MOVE" the table when ever you want to shift it.

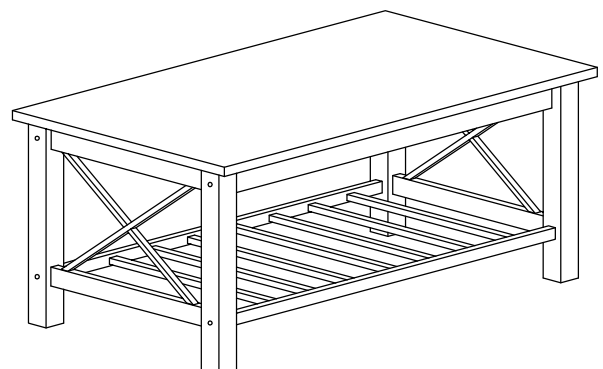
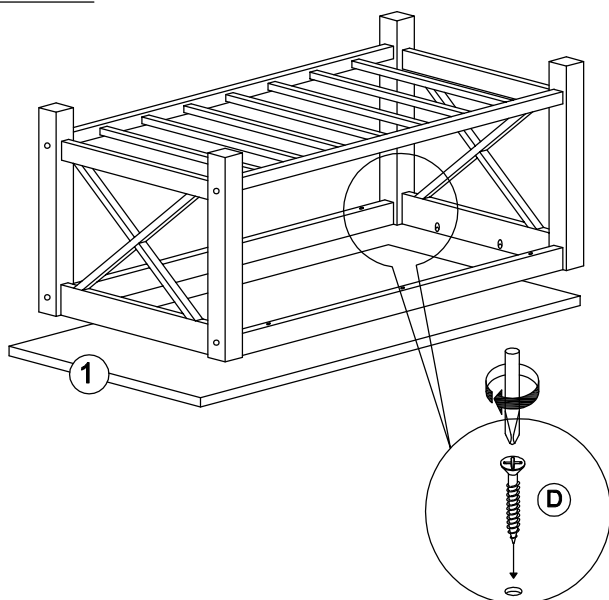
| PARTS LIST |                                                                                                           |       |
|------------|-----------------------------------------------------------------------------------------------------------|-------|
| NO.        | COMPONENT                                                                                                 | QTY.  |
| 1          | TABLE TOP                | 1 PC  |
| 2          | TABLE LEG SIDE ASSEMBLY  | 2 PCS |
| 3          | UPPER RAIL               | 2 PCS |
| 4          | BOTTOM PANEL             | 1 PC  |

| HARDWARE LIST |                                                                                                           |        |
|---------------|-----------------------------------------------------------------------------------------------------------|--------|
| NO.           | COMPONENT                                                                                                 | QTY.   |
| A             | JCBC BOLT M6 x 90MM    | 8 PCS  |
| B             | BARREL NUT             | 8 PCS  |
| C             | WOOD DOWEL M10 x 40MM  | 4 PCS  |
| D             | CB SCREW M4 x 30MM     | 10 PCS |
| E             | ALLEN KEY              | 1 PC   |

**STEP 1**



**STEP 2**



**COMPLETED ASSEMBLY**