

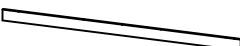










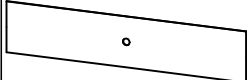




Thank you for purchasing this quality product. Be sure to check all packing materials carefully for small parts, which may have come loose inside the carton during shipment. Identify and count all items and compare with the PARTS LIST and/or HARDWARE LIST shown below.



Please read the instructions thoroughly before assembly.

1. We recommend that you assemble this product with the assistance of another person; this will make the assembly easier, and will help eliminate damage to the product or injury to persons during assembly.
2. Please do not tighten screws or bolts until the assembly is completed.
3. To level the chairs or table, before tightening all the screws, the chairs or table must be placed on a flat surface and then tighten the screws.
4. Please put all parts on a non-abrasive floor before assembly and follow the assembly steps to assemble your newly purchased product correctly and efficiently.

PARTS LIST			
NO.	DESCRIPTION	SKETCH	QTY
1	TOP PANEL		1 PC
2	BOTTOM PANEL		1 PC
3	CABINET LEG		1 PC
4	SIDE PANEL (L)		1 PC
5	SIDE PANEL (R)		1 PC
6	CENTER PANEL - L		1 PC
7	CENTER PANEL - R		1 PC
8	SHELF PANEL		2 PCS


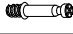



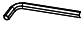
PARTS LIST			
NO.	DESCRIPTION	SKETCH	QTY
9	TOP SUPPORT (L)		2 PCS
10	TOP SUPPORT (R)		2 PCS
11	TOP BACK SUPPORT		1 PC
12	BACK PANEL		1 PC
13	LEG CORNER - L		1 PC
14	LEG CORNER - R		1 PC
15	DOOR PANEL - L		1 PC
16	DOOR PANEL - R		1 PC

ASSEMBLY INSTRUCTIONS



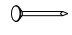
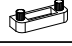


ITEM NUMBER : T3518W-40

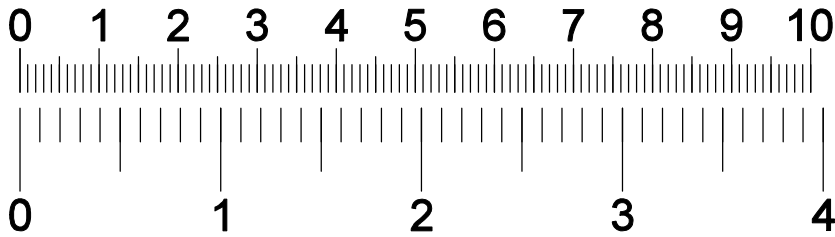
COLLECTION NAME : MARA

HARDWARE LIST

NO.	DESCRIPTION	SKETCH	QTY
A1	MINIFIX CAM Ø9/16 " x 1/2"		40 PCS
A2	MINIFIX BOLT M6 x 1-1/4"		40 PCS
A3	MINI FIX CAP Ø11/16" x 3/16 "		40 PCS
B	WOOD DOWEL M8 x 1-3/16"		47 PCS
C	CSK C/W SCREW M6 x 2"		4 PCS
D	ALLEN KEY M4 x 2-3/4"		1 PC

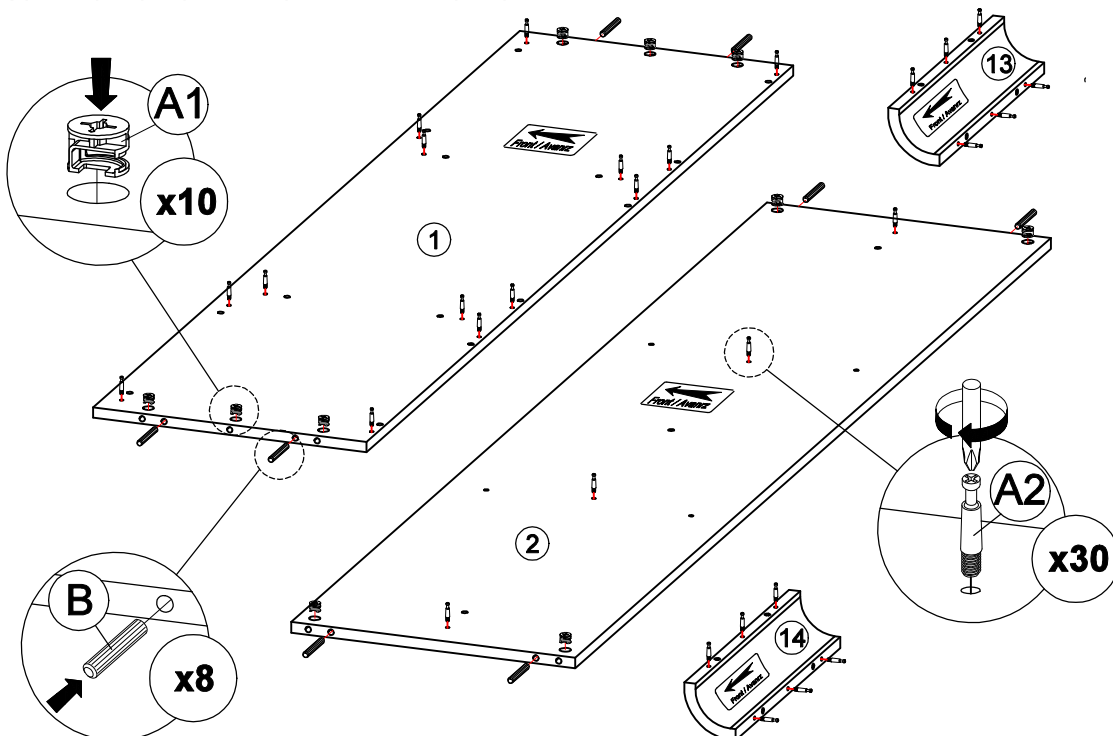
HARDWARE LIST

NO.	DESCRIPTION	SKETCH	QTY
E	C.B SCREW M3.5 x 5/8"		24 PCS
F	SHELF SUPPORT 9/16" x 3/16"		8 PCS
G	5/8 " NAIL		24 PCS
H	STOPPER (1-5/8" x 9/16")		2 PCS
I	5/8 " PVC NAIL LEG		7 PCS
J	SOFT CLOSING 7/8 " HINGES		4 PCS

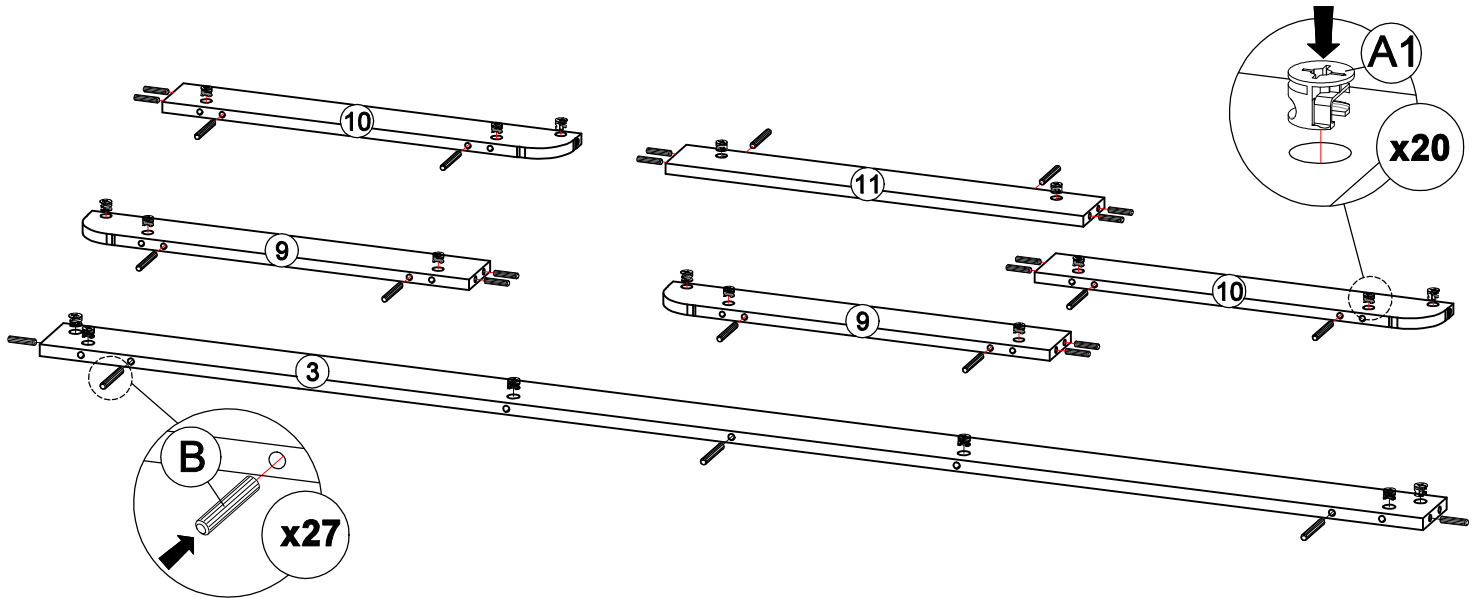


HARDWARE DIMENSIONS VERIFICATION TOOL

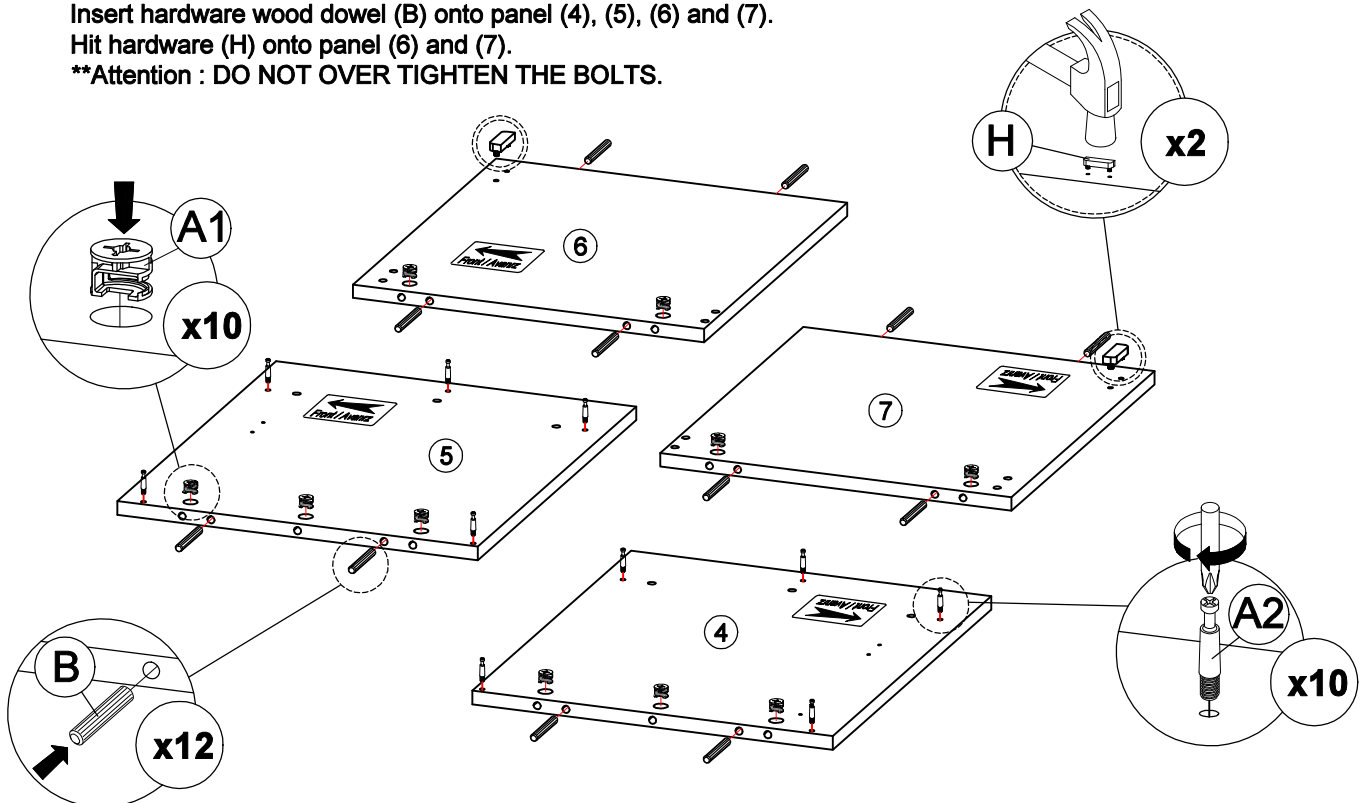
- STEP 1:** Insert hardware minifix (A1) onto panel (1) and (2).
 Insert hardware minifix (A2) onto panel (1), (2), (13) and (14).
 Insert hardware wood dowel (B) onto panel (1) and (2).
 **Attention : DO NOT OVER TIGHTEN THE BOLTS.



STEP 2 : Insert hardware minifix (A1) onto panel (3), (9),(10) and (11).
Insert hardware wood dowel (B) onto panel (3), (9),(10) and (11).



STEP 3 : Insert hardware minifix (A1) onto panel (4), (5), (6) and (7).
Insert hardware minifix (A2) onto panel (4) and (5).
Insert hardware wood dowel (B) onto panel (4), (5), (6) and (7).
Hit hardware (H) onto panel (6) and (7).
****Attention : DO NOT OVER TIGHTEN THE BOLTS.**

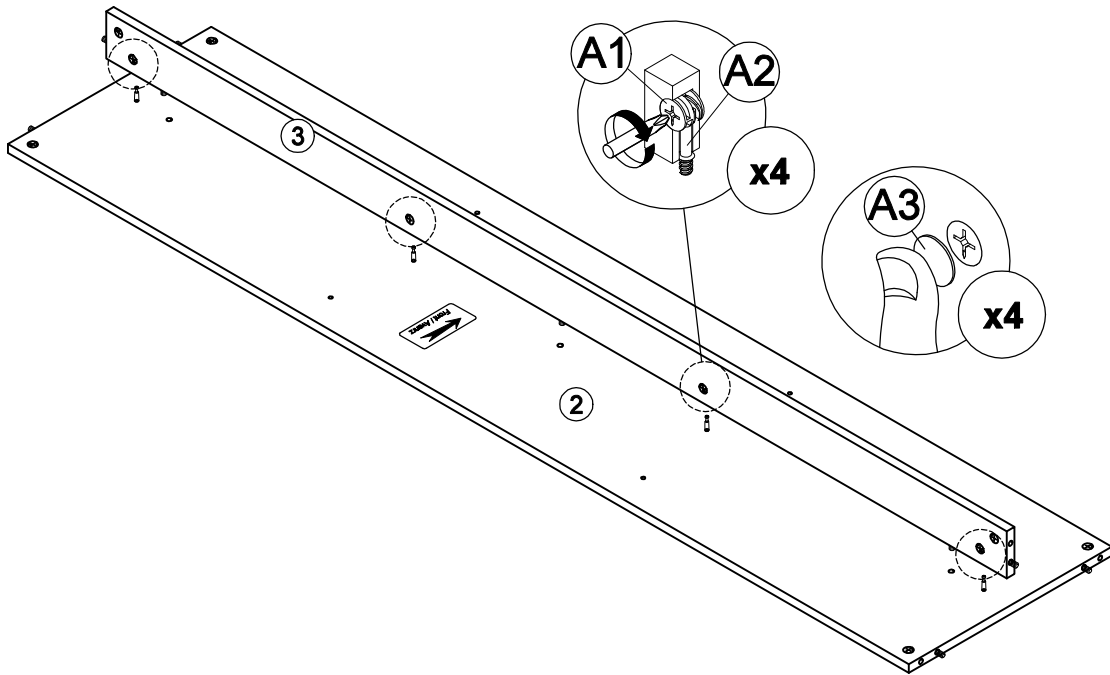


ASSEMBLY INSTRUCTIONS

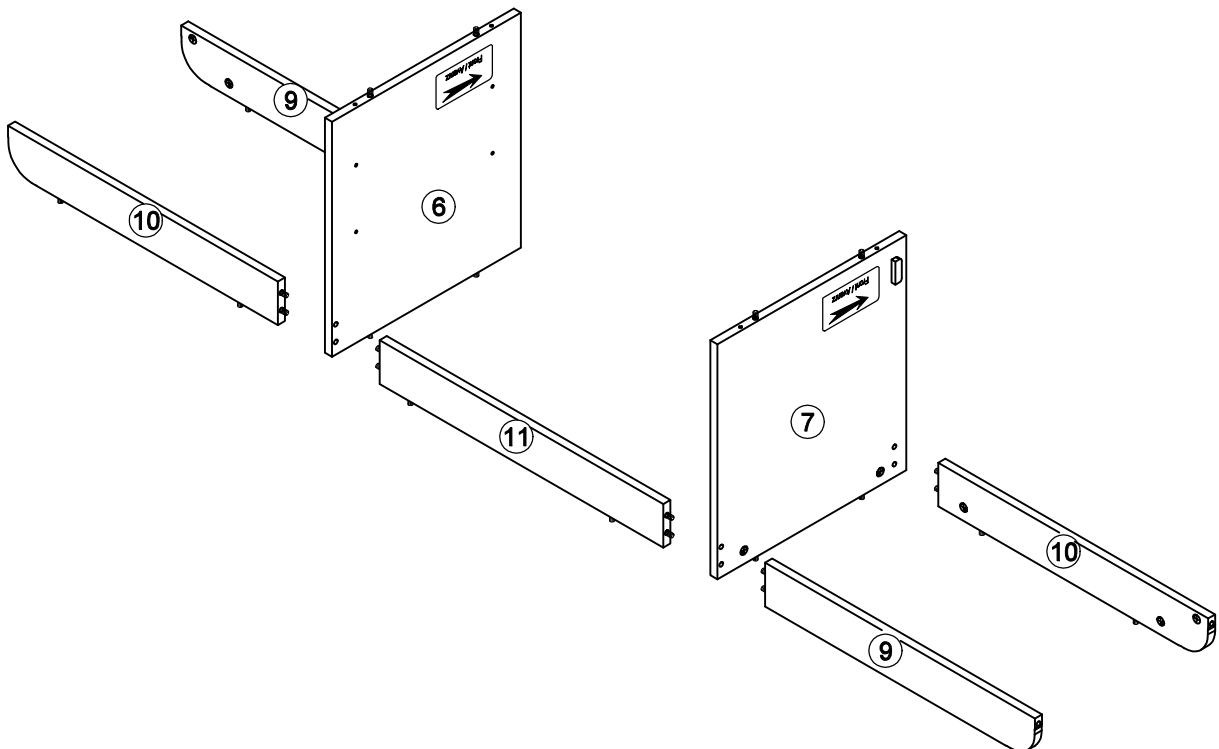
ITEM NUMBER : T3518W-40

COLLECTION NAME : MARA

STEP 4 : Attach panel (3) to panel (2). Insert all hardware minifix (A2) into minifix (A1).
Rotate all minifix (A1) until tight. Apply minifix (A3) onto all minifix (A1).
****Attention : DO NOT OVER TIGHTEN THE BOLTS.**



STEP 5 : Attach panel (11) between panel (6) and (7).
Attach panel (9) and (10) onto panel (6) and (7).



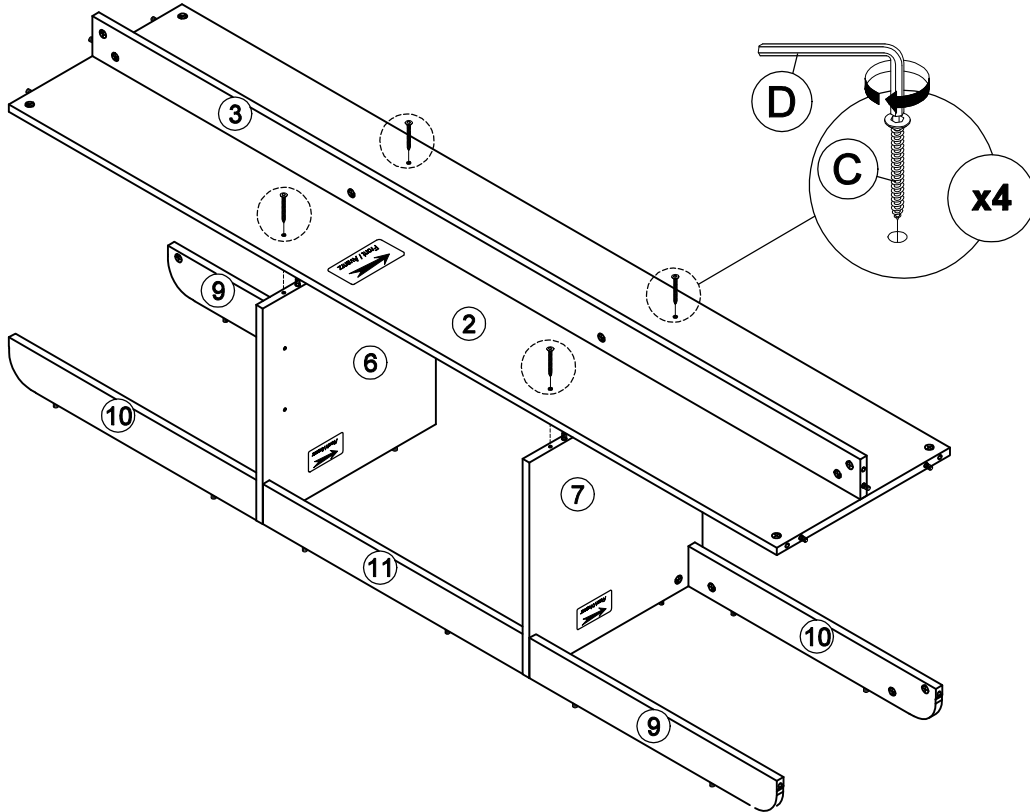
ASSEMBLY INSTRUCTIONS

ITEM NUMBER : T3518W-40

COLLECTION NAME : MARA

STEP 6 : Assemble panel (2) to panel (6) and (7) by using allen key (D) with hardware screws (C).

****Attention :** DO NOT OVER TIGHTEN THE SCREWS.



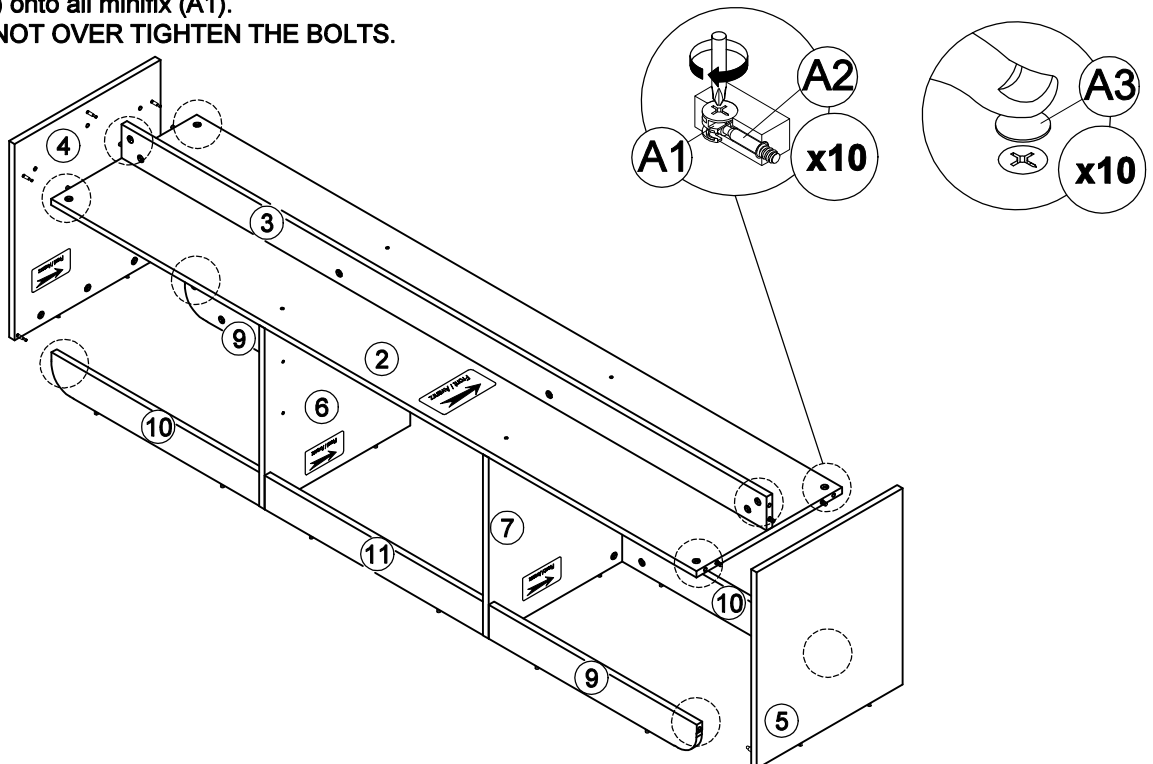
STEP 7 : Attach panel (4) and (5) to panel (2), (3), (9) and (10).

Insert all hardware minifix (A2) into minifix (A1).

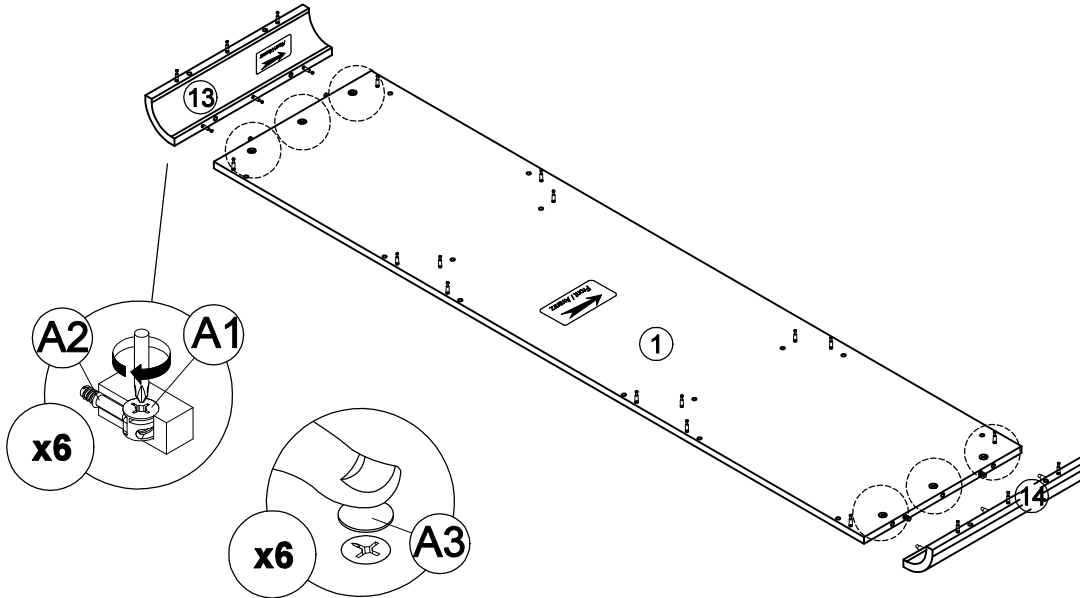
Rotate all minifix (A1) until tight.

Apply minifix (A3) onto all minifix (A1).

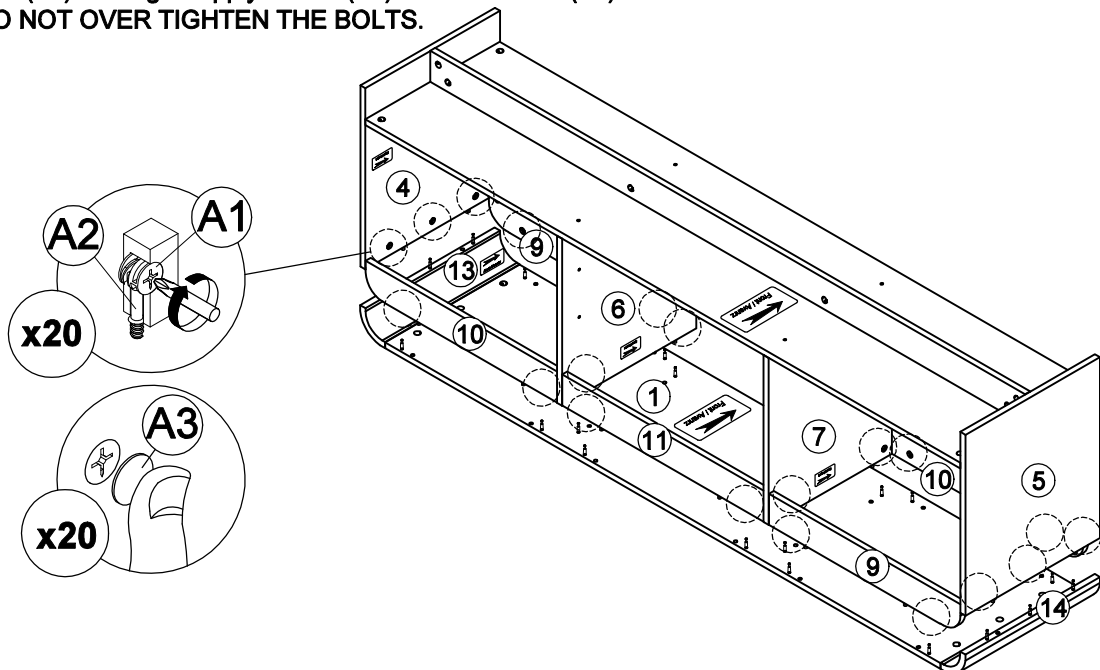
****Attention :** DO NOT OVER TIGHTEN THE BOLTS.



STEP 8 : Attach panel (13) and (14) to panel (1).
 Insert all hardware minifix (A2) into minifix (A1).
 Rotate all minifix (A1) until tight.
 Apply minifix (A3) onto all minifix (A1).
****Attention : DO NOT OVER TIGHTEN THE BOLTS.**



STEP 9 : Attach panel (4) to panel (13).
 Attach panel (5) to panel (14).
 Attach panel (6), (7), (9) (10) and (11) to panel (1).
 Insert all hardware minifix (A2) into minifix (A1).
 Rotate all minifix (A1) until tight. Apply minifix (A3) onto all minifix (A1).
****Attention : DO NOT OVER TIGHTEN THE BOLTS.**

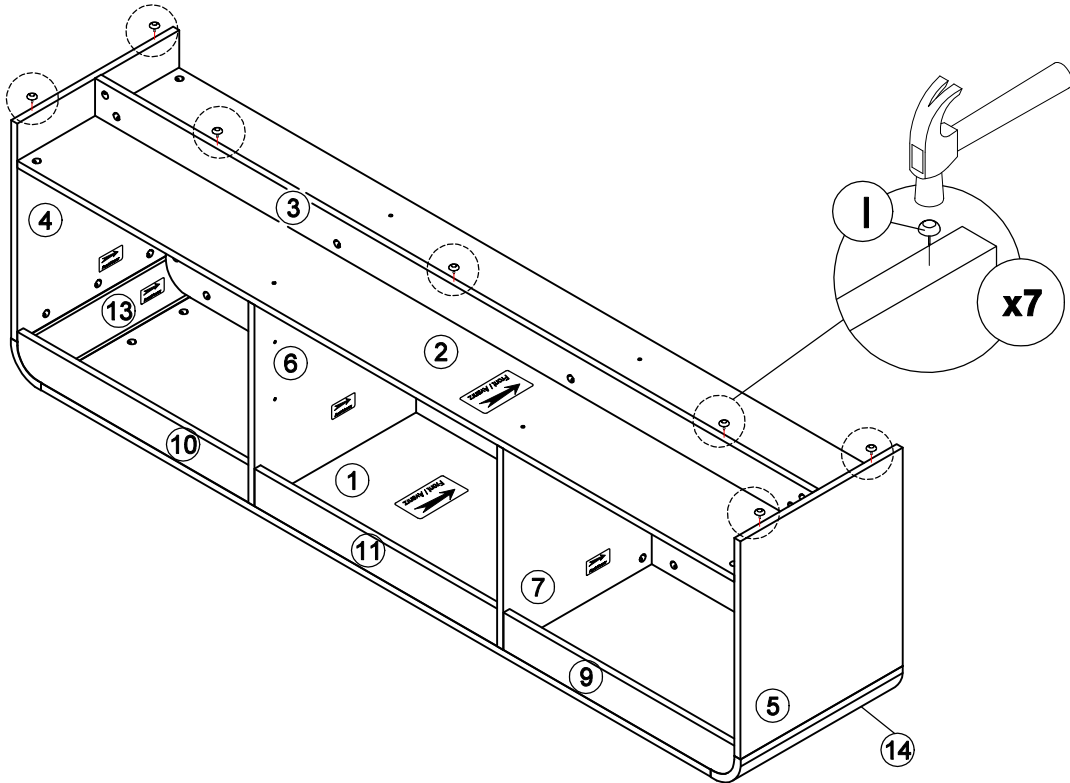


ASSEMBLY INSTRUCTIONS

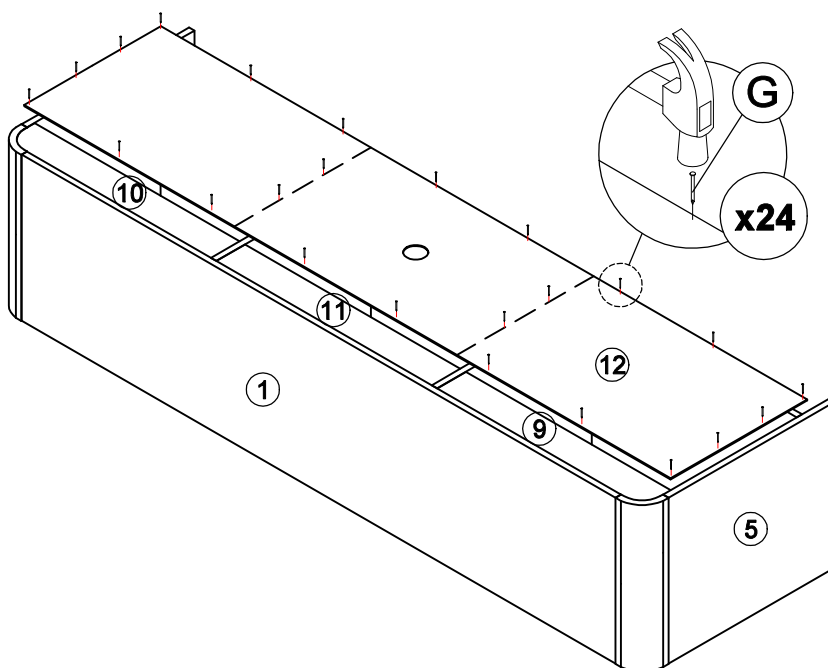
ITEM NUMBER : T3518W-40

COLLECTION NAME : MARA

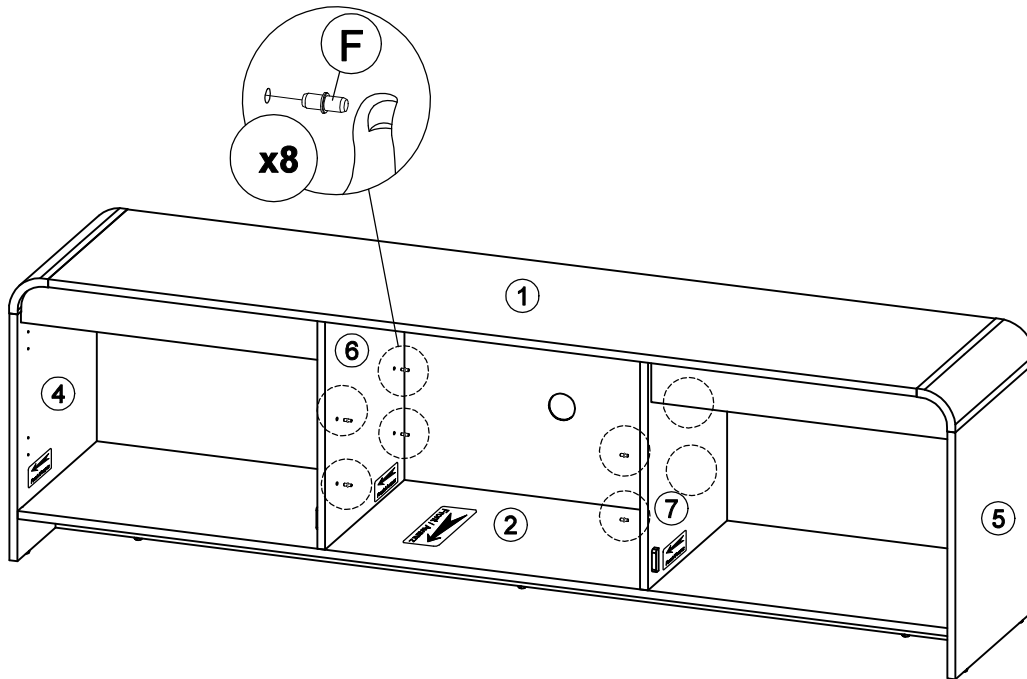
STEP 10 : Place the product on a soft and clean surface.
Hit hardware nail legs (I) into bottom of panel (3), (4) and (5).



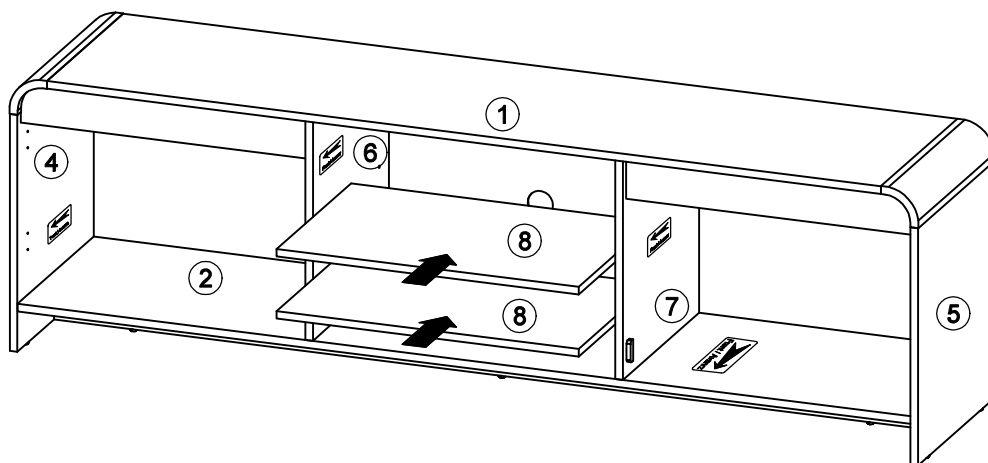
STEP 11 : Assemble panel (12) to entire body by using hardware nails (G).



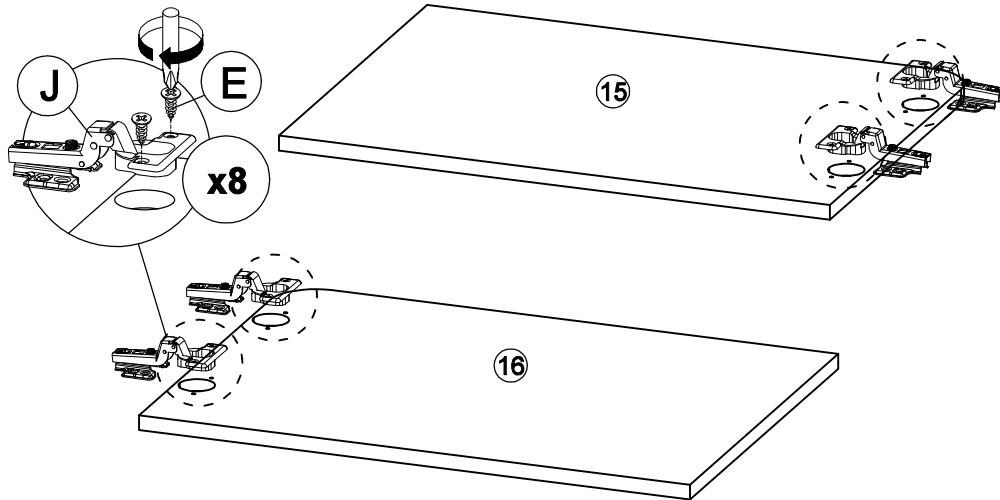
STEP 12 : Insert hardware (F) onto mounting position panel (6) and (7) by hand.



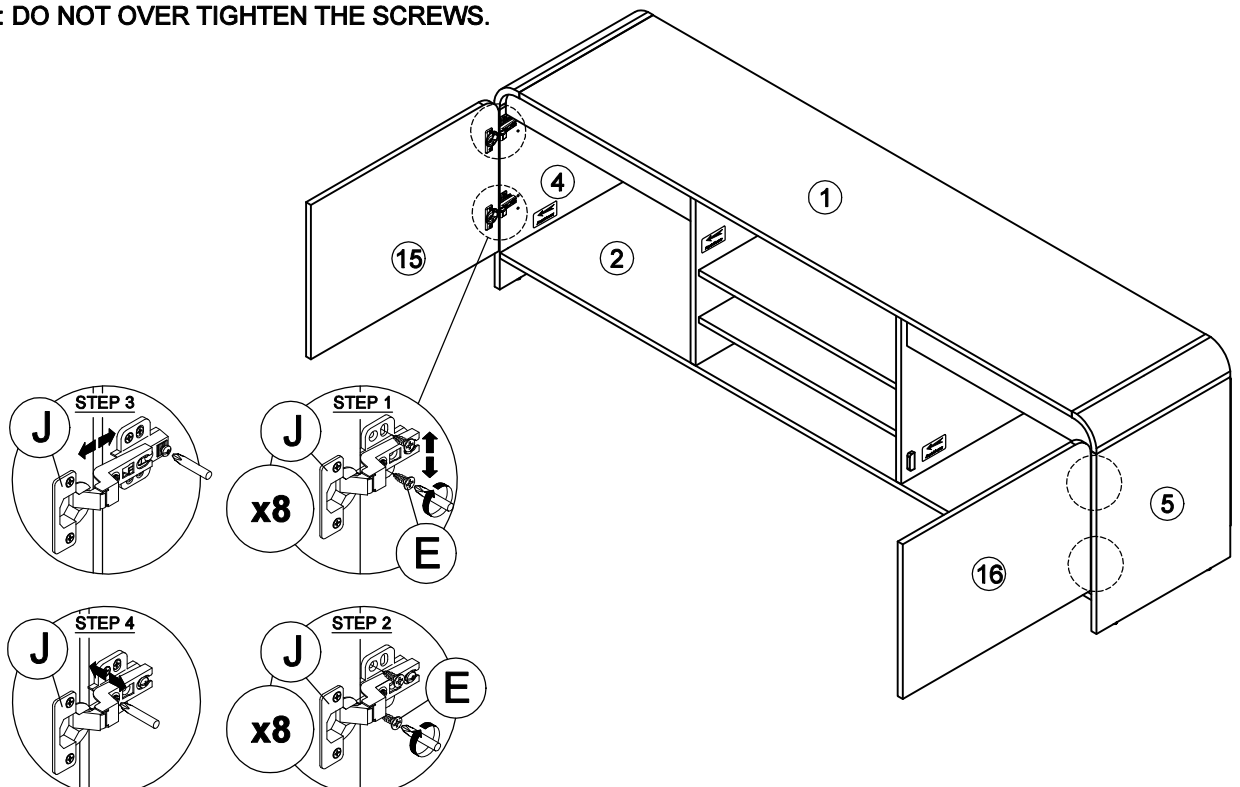
STEP 13 : Insert panel (8) inside between panel (6) and (7).



STEP 14 : Place panel (15) and (16) on a soft and clean surface,
Fix hardware (J) onto panel (14) and (15) by using hardware (E).
****Attention :** DO NOT OVER TIGHTEN THE SCREWS.



STEP 15 : Fix hardware (J) into panel (4) and (5) by using hardware (E).
Tighten or loosen the screw to adjust position of panel (15) and (16).
****Attention :** DO NOT OVER TIGHTEN THE SCREWS.



* In this step hardware J have been assembled in panel (15) and (16).

ASSEMBLY INSTRUCTIONS

ITEM NUMBER : T3518W-40

COLLECTION NAME : MARA

ASSEMBLY COMPLETED

