

ASSEMBLY INSTRUCTIONS

ITEM NO : T3518W-10

COLLECTION : MARA

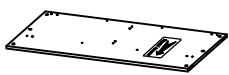
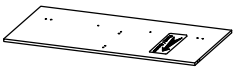

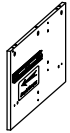


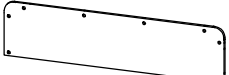
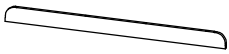
Thank you for purchasing this quality product. Be sure to check all packing materials carefully for small parts, which may have come loose inside the carton during shipment. Identify and count all items and compare with the PARTS LIST and/or HARDWARE LIST shown below.




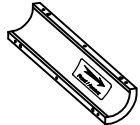



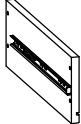
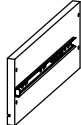
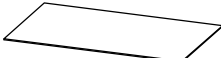
Please read the instructions thoroughly before assembly.

1. We recommend that you assemble this product with the assistance of another person; this will make the assembly easier, and will help eliminate damage to the product or injury to persons during assembly.
2. Please do not tighten screws or bolts until the assembly is completed.
3. To level the chairs or table, before tightening all the screws, the chairs or table must be placed on a flat surface and then tighten the screws.
4. Please put all parts on a non-abrasive floor before assembly and follow the assembly steps to assemble your newly purchased product correctly and efficiently.


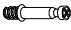





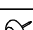
PARTS LIST

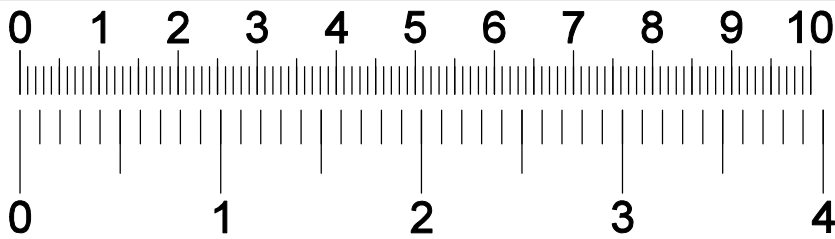
NO.	DESCRIPTION	SKETCH	QTY
1	TOP PANEL		1 PC
2	BOTTOM PANEL		1 PC
3	CABINET LEG		1 PC
4	SIDE PANEL - L		1 PC
5	SIDE PANEL - R		1 PC
6	CENTER PANEL		1 PC
7	MIDDLE PANEL		1 PC
8	TOP SUPPORT		1 PC

PARTS LIST

NO.	DESCRIPTION	SKETCH	QTY
9	LEG CORNER - L		1 PC
10	LEG CORNER - R		1 PC
11	DRAWER FRONT - L		1 PC
12	DRAWER FRONT - R		1 PC
13	DRAWER BACK		2 PCS
14	DRAWER SIDE - L		2 PCS
15	DRAWER SIDE - R		2 PCS
16	DRAWER BOTTOM		2 PCS

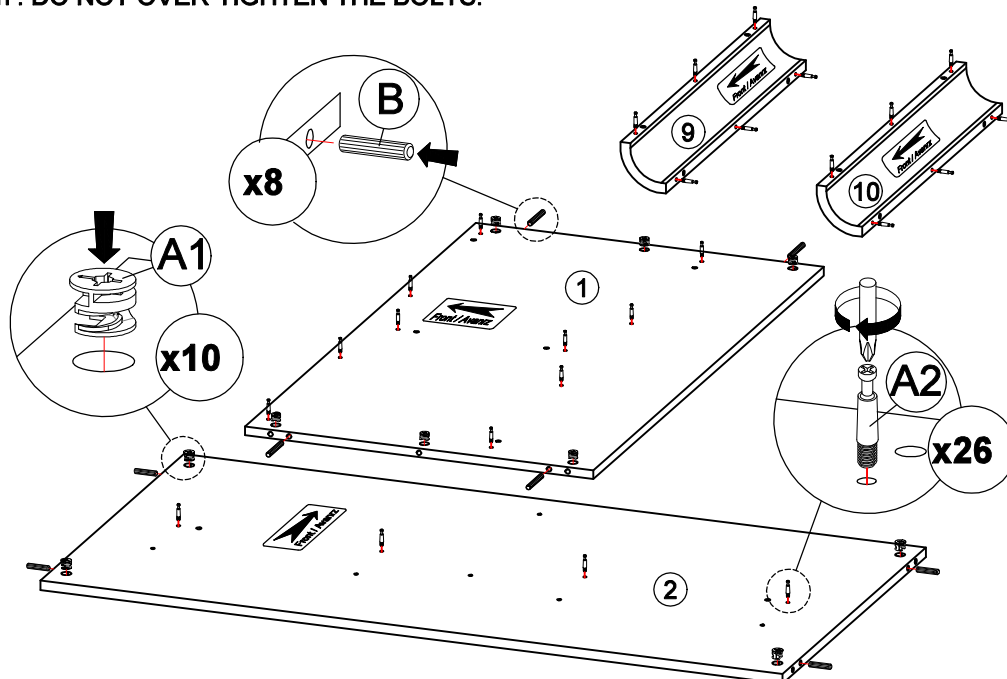
HARDWARE LIST

NO.	DESCRIPTION	SKETCH	QTY
A1	MINIFIX CAM Ø9/16 " x 1/2"		38 PCS
A2	MINIFIX BOLT M6 x 1-1/4"		38 PCS
A3	MINI FIX CAP Ø11/16" x 3/16 "		38 PCS
B	WOOD DOWEL M8 x 1-3/16"		30 PCS
C	CSK C/W SCREW M6 x 2"		6 PCS
D	ALLEN KEY M4 x 2-3/4"		1 PC
E	CSK C/B SCREW M4 x 1-1/2"		16 PCS
F	5/8" PVC NAIL LEG		6 PCS



HARDWARE DIMENSIONS VERIFICATION TOOL

STEP 1 : Insert hardware minifix (A1) onto panel (1) and (2).
 Insert hardware minifix (A2) onto panel (1), (2), (9) and (10).
 Insert hardware wood dowel (B) onto panel (1) and (2).
 **Attention : DO NOT OVER-TIGHTEN THE BOLTS.

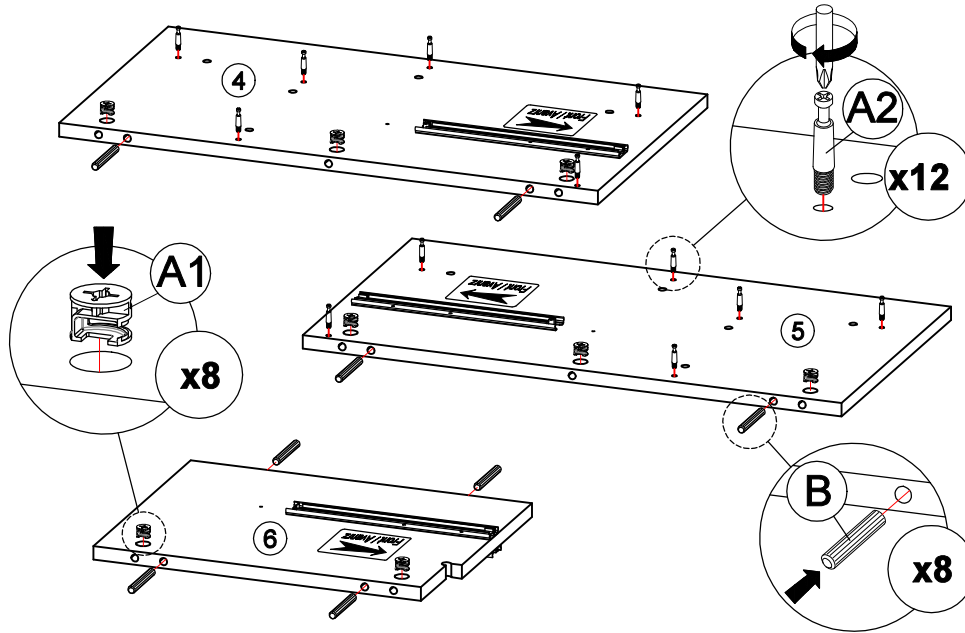


ASSEMBLY INSTRUCTIONS

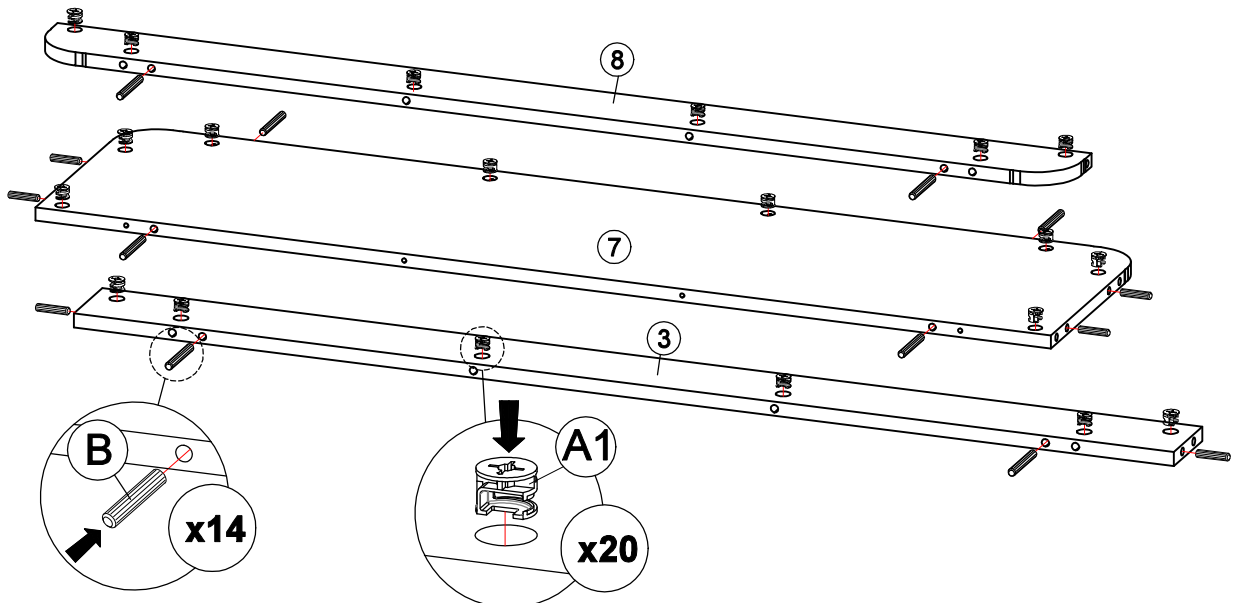
ITEM NO : T3518W-10

COLLECTION : MARA

STEP 2 : Insert hardware minifix (A1) onto panel (4), (5) and (6).
 Insert hardware minifix (A2) onto panel (4) and (5).
 Insert hardware wood dowel (B) onto panel (4), (5) and (6).
 **Attention : DO NOT OVER-TIGHTEN THE BOLTS.

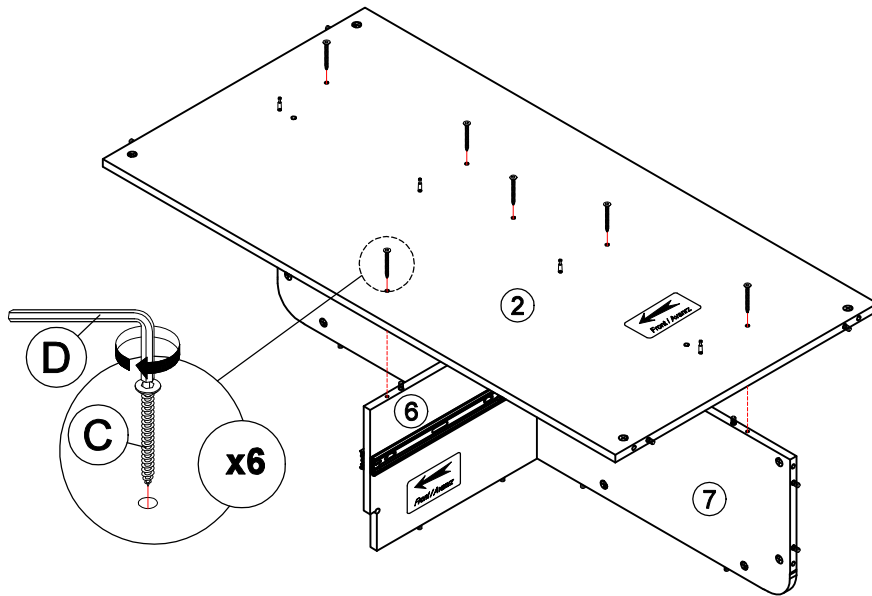


STEP 3 : Insert hardware minifix (A1) onto panel (3), (7) and (8).
 Insert hardware wood dowel (B) onto panel (3), (7) and (8).
 **Attention : DO NOT OVER-TIGHTEN THE BOLTS.



STEP 4 : Assemble panel (2) to panel (6) and (7) by using allen key (D) with hardware screws (C).

****Attention :** DO NOT OVER-TIGHTEN THE SCREWS.

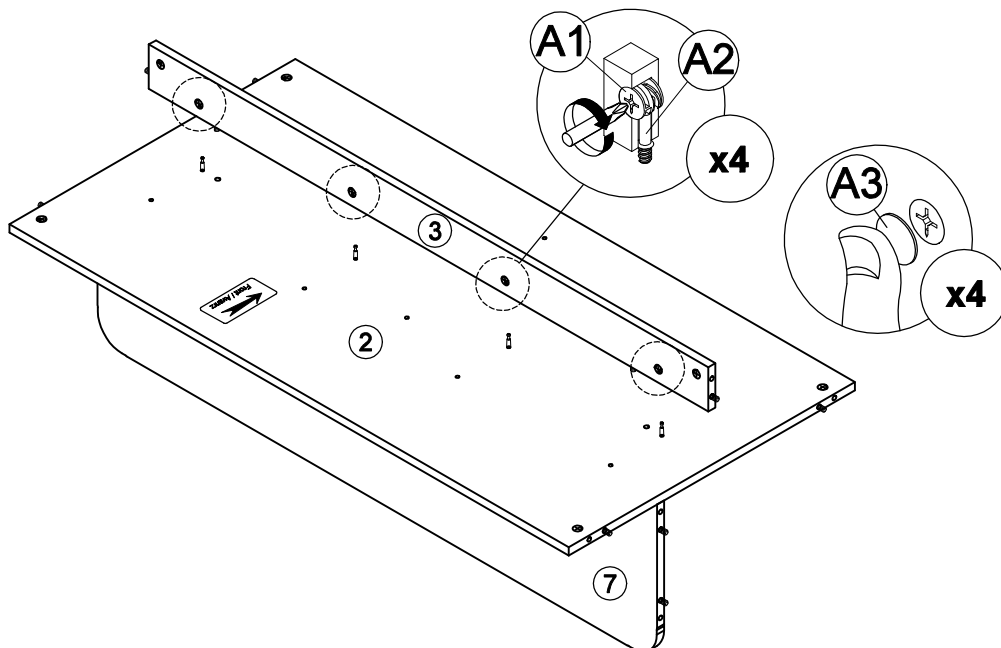


STEP 5 : Attach panel (3) to panel (2).

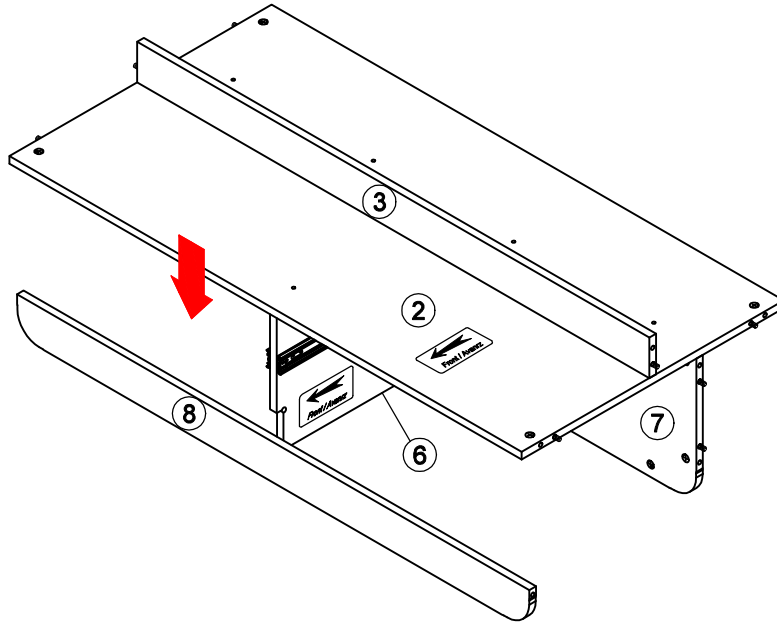
Insert all hardware minifix (A2) into minifix (A1).

Rotate all minifix (A1) until tight. Apply minifix (A3) onto all minifix (A1).

****Attention :** DO NOT OVER-TIGHTEN THE BOLTS.



STEP 6 : Attach panel (8) to panel (6).

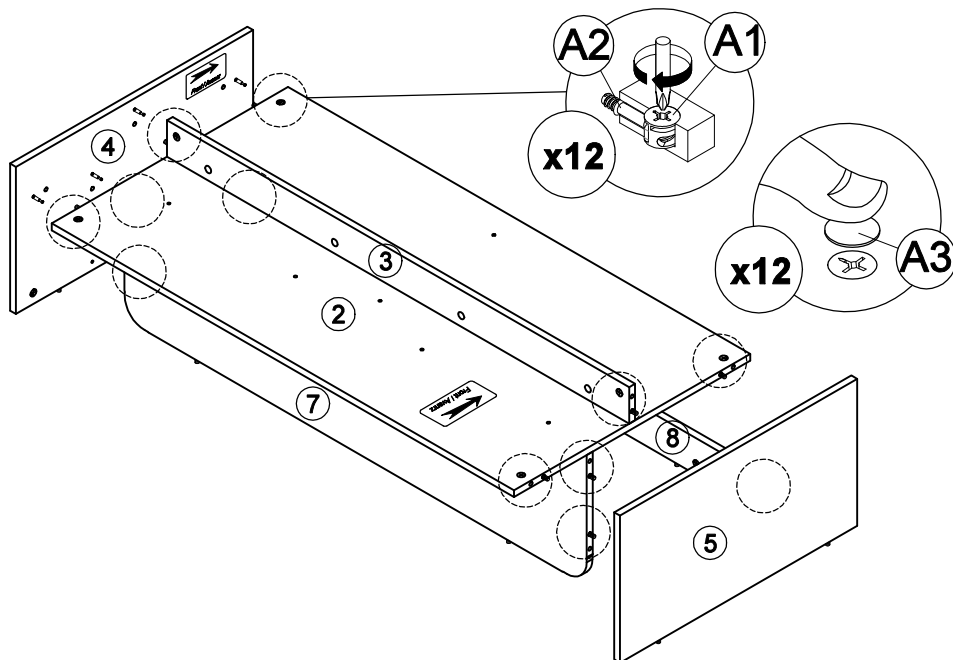


STEP 7 : Attach panel (4) and (5) to panel (2), (3), (7) and (8).

Insert all hardware minifix (A2) into minifix (A1).

Rotate all minifix (A1) until tight. Apply minifix (A3) onto all minifix (A1).

****Attention : DO NOT OVER-TIGHTEN THE BOLTS.**

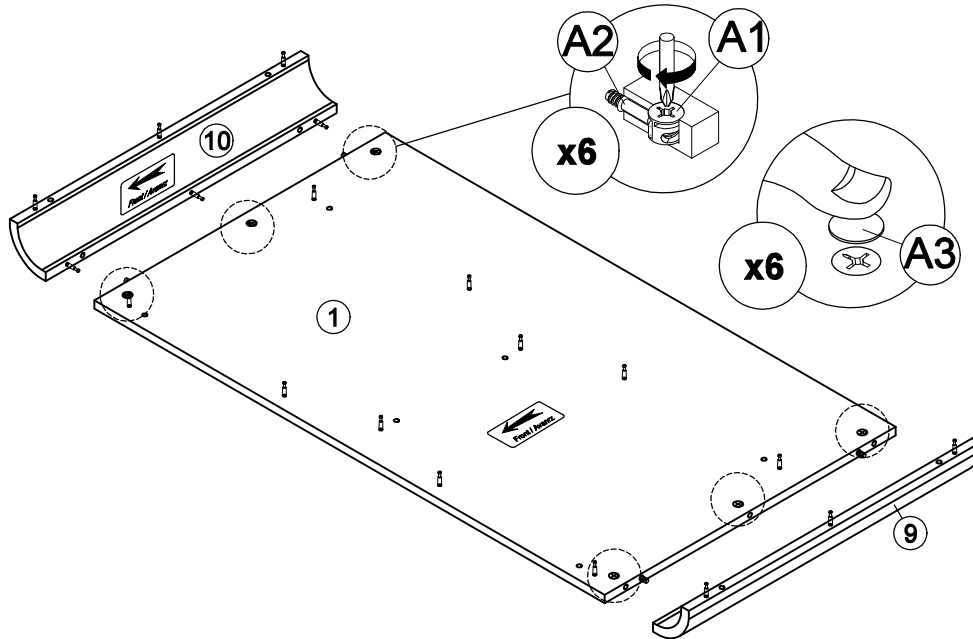


STEP 8 : Attach panel (9) and (10) to panel (1).

Insert all hardware minifix (A2) into minifix (A1).

Rotate all minifix (A1) until tight. Apply minifix (A3) onto all minifix (A1).

****Attention : DO NOT OVER-TIGHTEN THE BOLTS.**



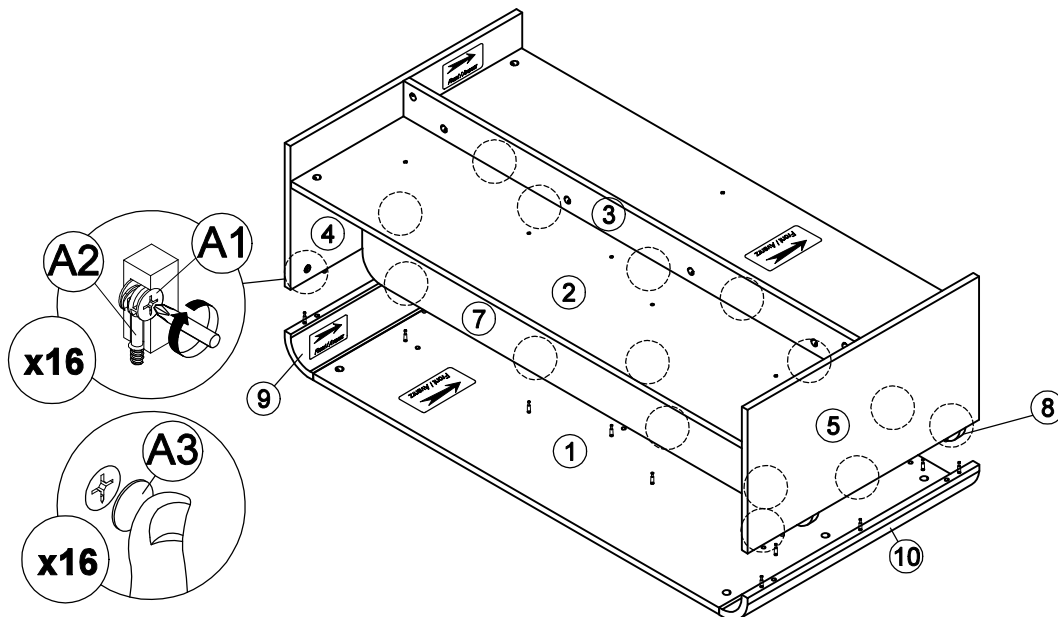
STEP 9 : Attach panel (4) and (5) to panel (9), and (10).

Attach panel (6), (7) and (8) to panel (1).

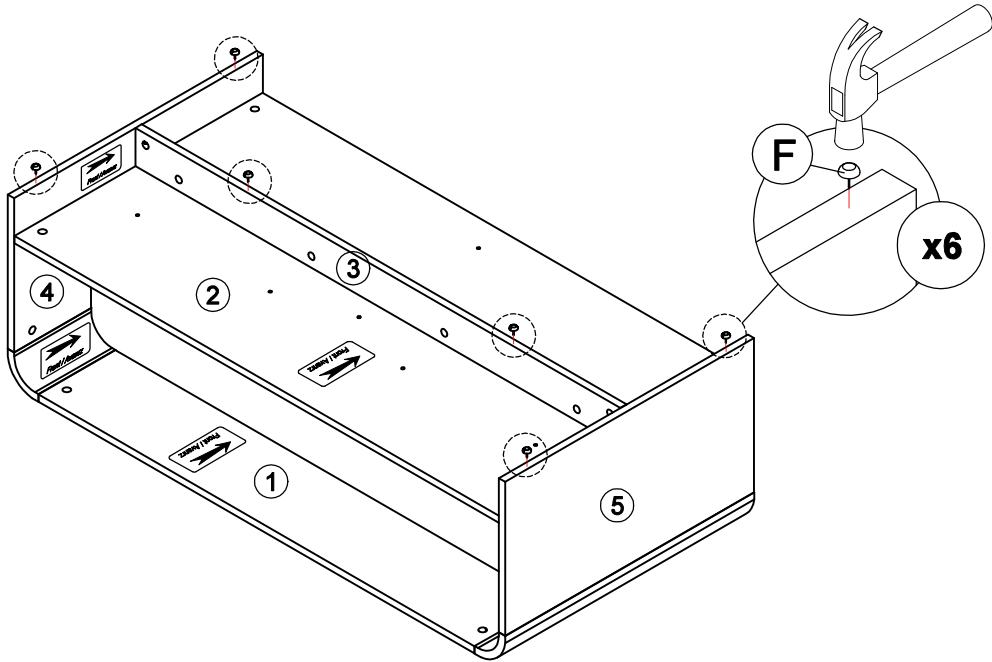
Insert all hardware minifix (A2) into minifix (A1).

Rotate all minifix (A1) until tight. Apply minifix (A3) onto all minifix (A1).

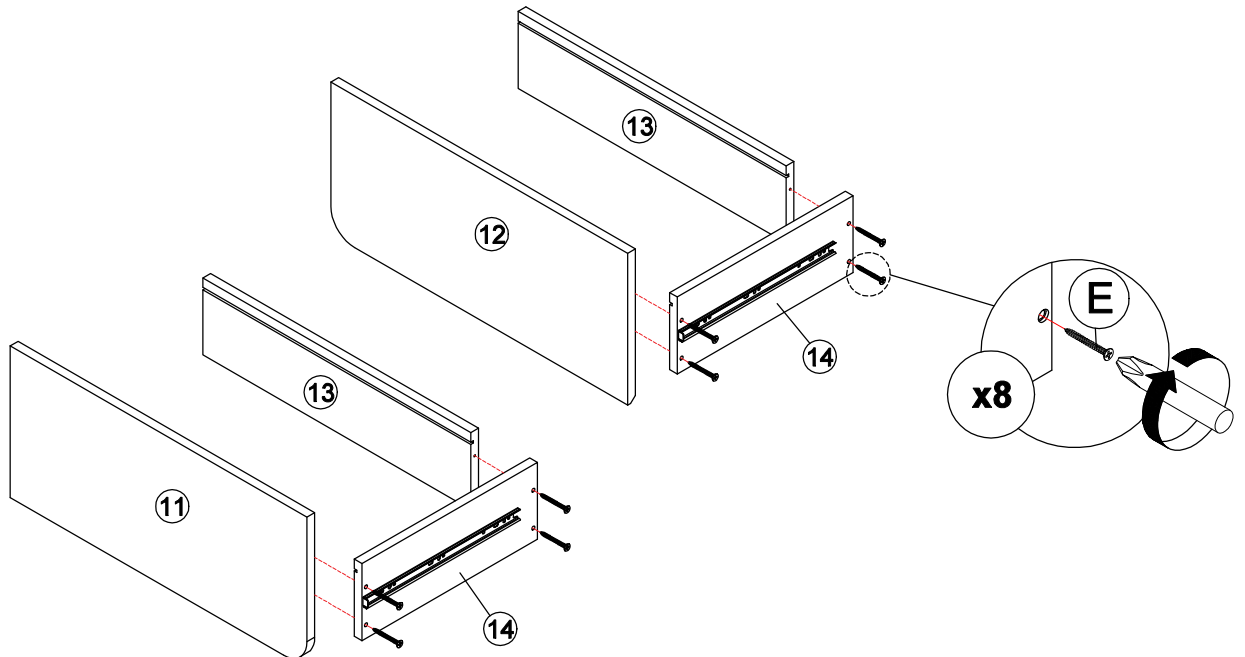
****Attention : DO NOT OVER-TIGHTEN THE BOLTS.**



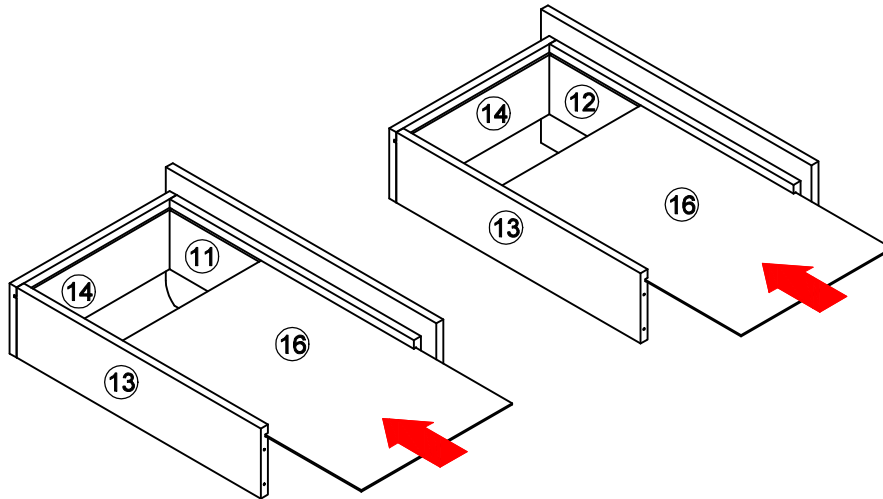
STEP 10 : Place the product on a soft and clean surface.
Hit hardware nail legs (F) into bottom of panel (3), (4) and (5).



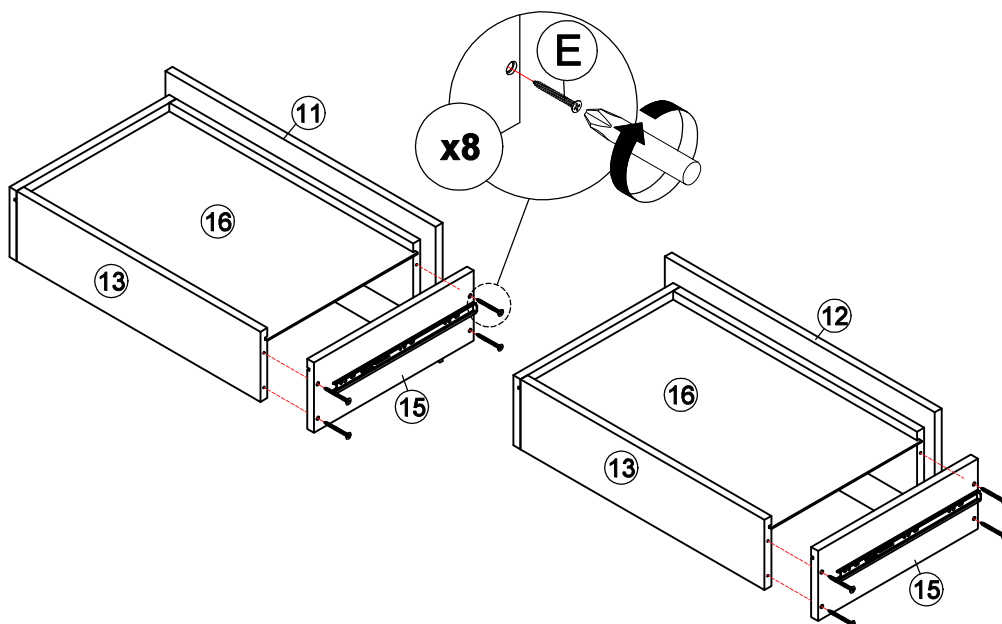
STEP 11 : Assembly panel (14) to panel (11) or (12) and (13) by using hardware screws (E).
**Attention : DO NOT OVER-TIGHTEN THE SCREWS.



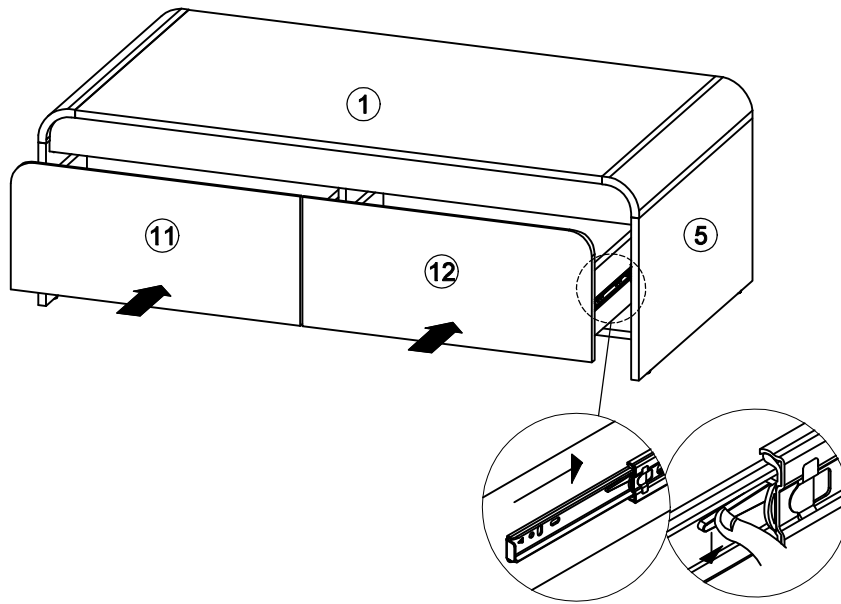
STEP 12 : Insert panel (16) along the slot.



STEP 13 : Assemble panel (15) with panel (11) or (12) and (13) by using hardware (E).



STEP 14 : Put all the drawer in place along the drawer slides.



ASSEMBLY COMPLETED

