

ASSEMBLY INSTRUCTIONS

EMPIRE COLLECTION

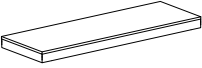
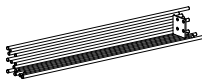
MODEL : T2034-30 EMPIRE CONSOLE TABLE

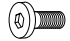



Thank you for purchasing this quality product. Be sure to check all packing materials carefully for small parts, which may have come loose inside the carton during shipment. Identify and count all items and compare with the parts list and/or hardware list shown below.

Please read all instructions carefully. See the hardware and furniture part listing for guidance. Be sure you have all parts listed before beginning assembly. Place all wooden parts on a clean, flat surface to protect the finish from scratches. Follow the diagram to assemble.

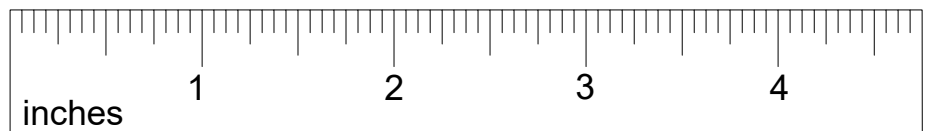
CAUTION

1. Do not fully tighten the nuts or bolts until the table is fully assembled.
2. Please tighten by hand, not by a drill. Overtightening will damage threads. Do not overtighten.
3. Keep all hardware out of the reach of children.

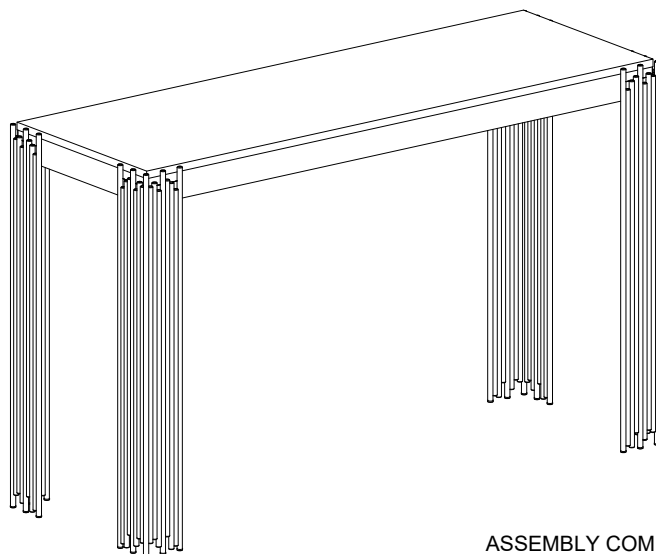
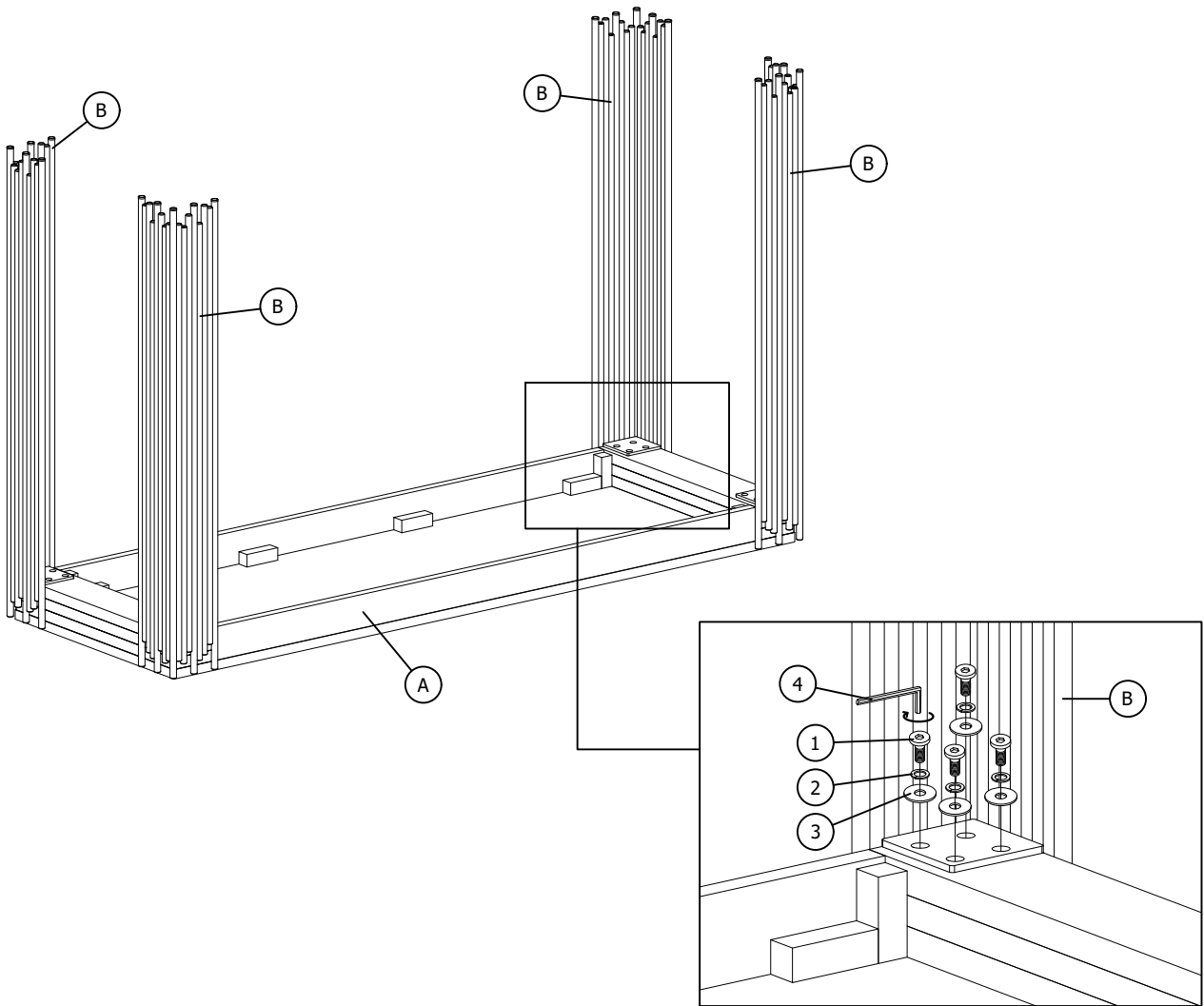
PARTS LIST			
ITEM	DESCRIPTION	SKETCH	QTY
A	CONSOLE TABLE TOP		1 PC
B	METAL LEG		4 PCS

HARDWARE LIST			
ITEM	DESCRIPTION	SKETCH	QTY
1	BOLT M6 x 9/16"		16 PCS
2	SPRING WASHER M6 x 1/2"		16 PCS
3	FLAT WASHER M6 x 3/4"		16 PCS
4	ALLEN KEY M4 x 2 3/8"		1 PC

HARDWARE DIMENSIONS
VERIFICATION TOOL



STEP 1: Place the Console Table Top (A) upside down on a soft and clean surface.
Assemble the Metal Legs (B) with the Console Table Top (A) by using Allen Key (4) with hardware (1), (2) and (3).
****Attention: DO NOT OVER TIGHTEN THE BOLTS.**



ASSEMBLY COMPLETED