

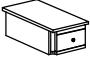


ASSEMBLY INSTRUCTIONS

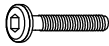



Model : T13 - 23 Noah End Table With Drawer

Thank you for purchasing this quality product. Be sure to check all packing materials carefully for small parts , which may have come loose inside the carton during shipment. Identify and count all items and compare with the PARTS LIST and/or HARDWARE LIST show below.

CAUTIONS :

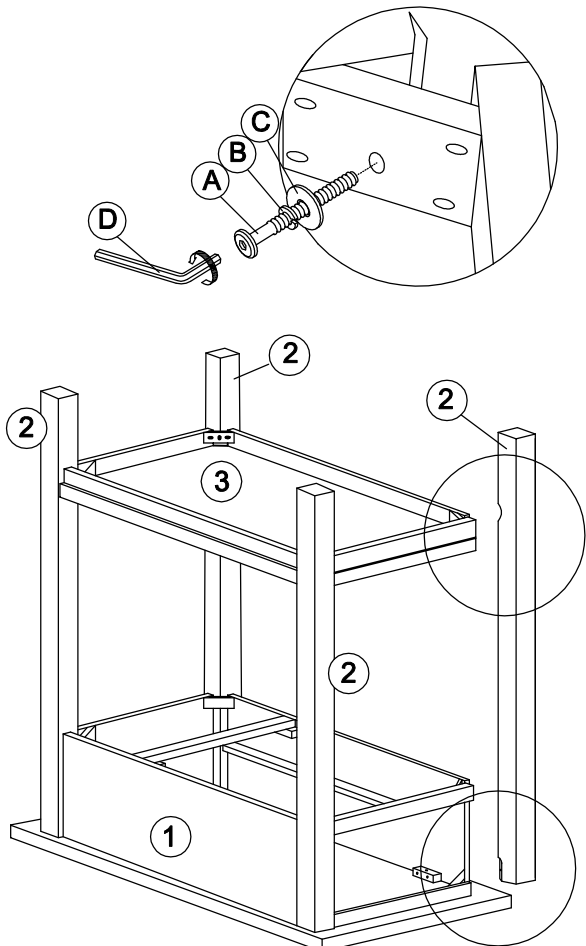
1. We recommend that you assemble this product with the assistance of another person : this well make the assembly easier, and will help eliminate damage to the product or injury to the persons during assembly.
2. Do not over tightened the screws and bolts as it may damage the threads.
3. Keep all hardware parts out of the reach fo children.
4. Please "LIFT UP & MOVE" the table when ever you want to shift it.

| PARTS LIST | | |
|------------|---|-------|
| NO. | COMPONENT | QTY. |
| 1 | TABLE TOP WITH DRAWER BOX  | 1 PC |
| 2 | TABLE LEG  | 4 PCS |
| 3 | SHELF  | 1 PC |

| HARDWARE LIST | | |
|---------------|---|-------|
| NO. | COMPONENT | QTY. |
| A | JCBC BOLT M6 x 60MM  | 8 PCS |
| B | 1/4" SPRING WASHER  | 8 PCS |
| C | 1/4" FLAT WASHER  | 8 PCS |
| D | ALLEN KEY  | 1 PC |

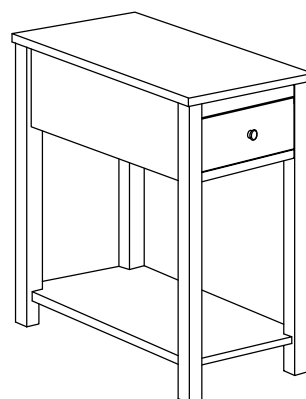
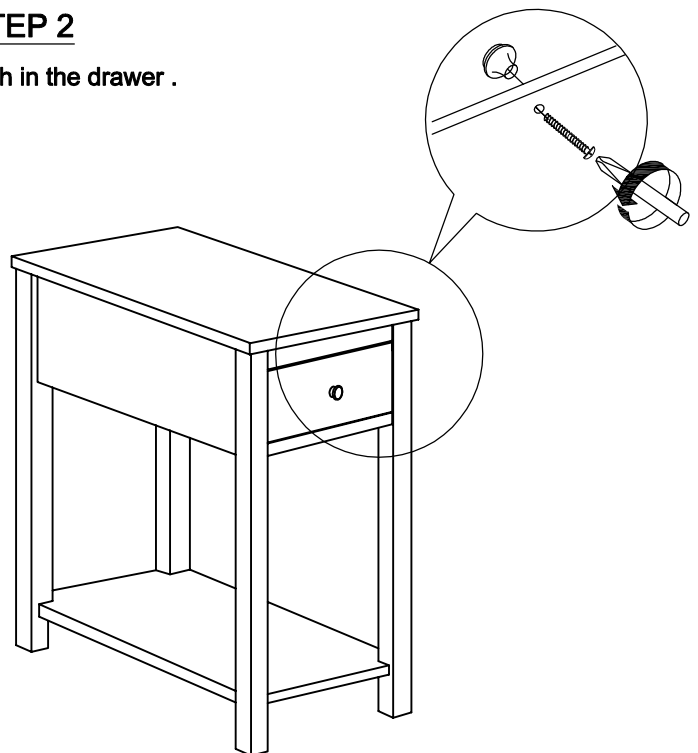
STEP 1

Pull out the drawer first , assemble 3 table legs (2) to the table top (1), then attach the table shelf (3) before assembling the last table leg (2).



STEP 2

Push in the drawer .



COMPLETED ASSEMBLY