
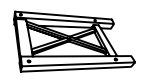


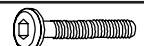



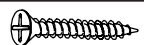
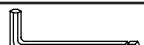


Thank you for your valued business. Be sure to check all packing materials carefully for small parts which may have come loose inside the carton during shipment. Identify and count all items and compare them with the parts list and hardware list below.

CAUTION: Read the instructions carefully before assembly.

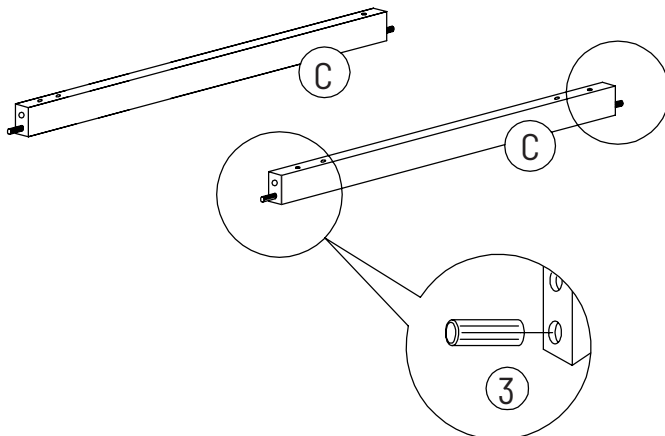
1. We recommend that you assemble this product with the assistance of another person to eliminate damage to the product during assembly.
2. Do not over-tighten the screws and bolts as they may damage the threads.
3. Keep all hardware parts out of reach of children.
4. When you want to reposition the product, please always "LIFT & MOVE".

PARTS LIST			
NO.	DESCRIPTION	SKETCH	QTY
A	Table Top		1PC
B	Leg Frame		2PCS
C	Apron		2PCS
D	Base Frame		1PC

HARDWARE LIST			
NO.	DESCRIPTION	SKETCH	QTY
1	JCBC Bolt M6 x 2 1/4"		8PCS
2	Barrel Nut		8PCS
3	Wood Dowel M8 x 1 1/4"		4PCS
4	1/4" Spring Washer		8PCS
5	CB Screw M4 x 1 1/4"		8PCS
6	Allen Key		1PC

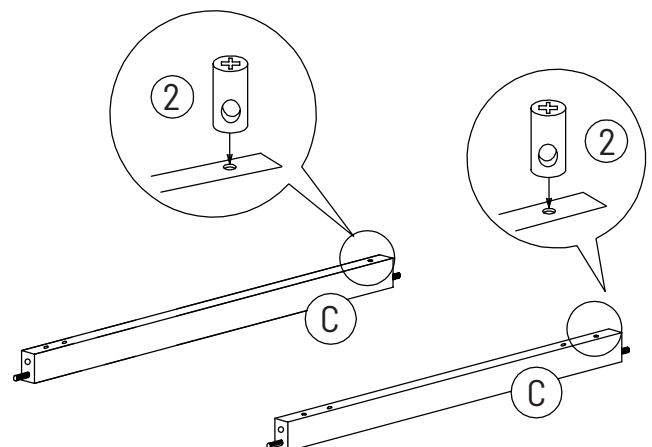
Step 1

Put Wood Dowel (3) inside the smaller hole on Apron (C).



Step 2

Put Barrel Nut (2) inside the larger hole on the Apron (C).

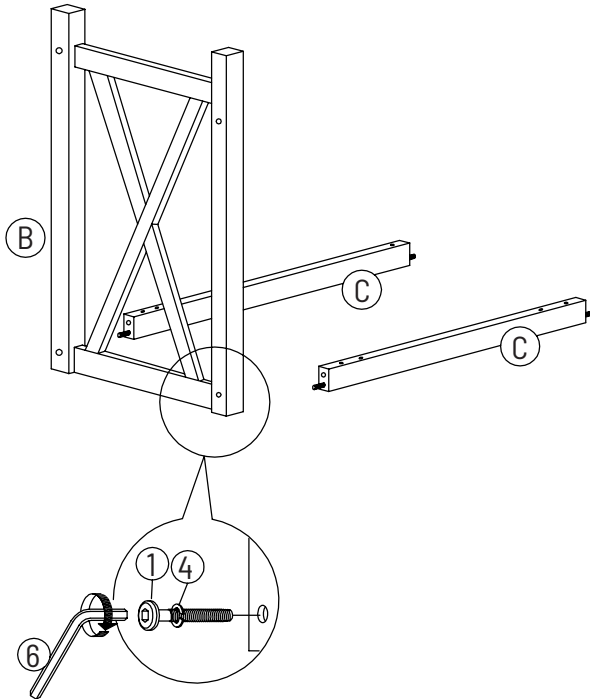


Please see reverse side →

Step 3

Attach Aprons (C) to Leg Frame (B) by using Bolt (1) and Spring Washer (4).

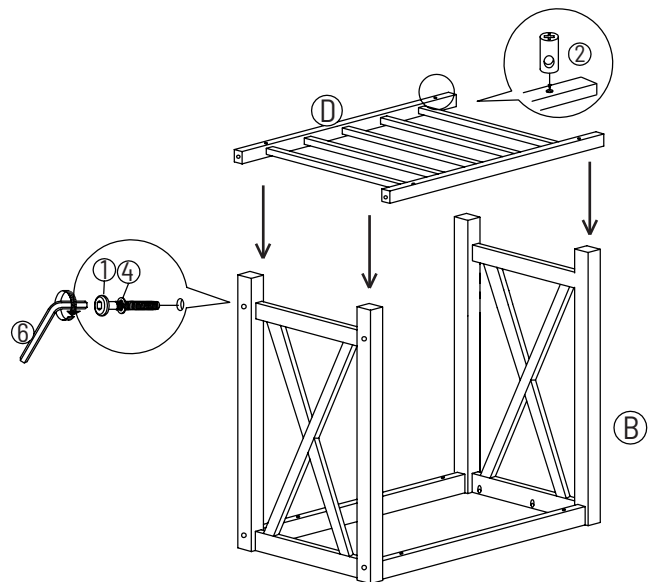
NOTE: Do not tighten fully until all the parts and screws attached in place.



Step 4

Put Barrel Nut (2) inside the hole on Leg Frame (B).

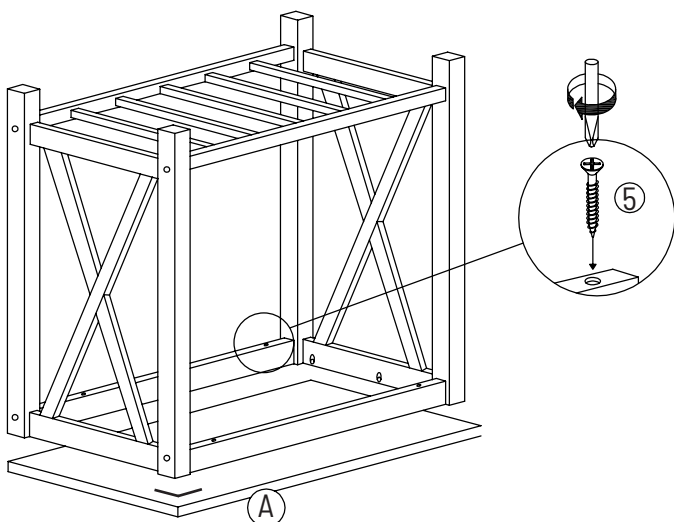
Attach Base Frame (D) to Leg Frame (B) by using Bolt (1) and Spring Washer (4).



Step 5

Align the finished table base to the stenciled corner marker under Table Top (A). Screw CB Screw (5) through Apron (C) connecting to Table Top (A) with a screwdriver.

NOTE: Please use firm pressure when fastening screws. If you are still having difficulty, please use a power drill carefully.



Step 6

Screw CB Screw (5) through Leg Frame (B), connecting it to Table Top (A) with a screwdriver.

NOTE: Please use firm pressure when fastening screws. If you are still having difficulty, please use a power drill carefully.

