




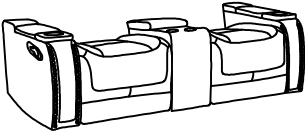

Assembly Instruction

Item No.:L3183-25

DESCRIPTION: BRECKENRIDGE CONSOLE LOVESEAT W/
DUAL RECLINERS

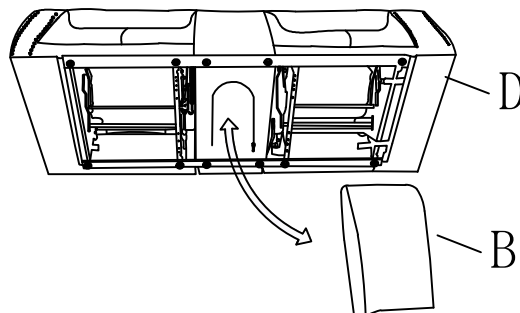
Thank you for purchasing this quality product. Be sure to check all packing materials carefully for small parts, which may have come loose during shipment. Identify and count all items and compare with the parts list and/or hardware list shown below. It is recommended to have two people during assembling and to remove the backs and base of the furniture out from the box.

Please follow the drawings below to assemble the item

PARTS LIST			
NO.	SKETCH	QTY	DESCRIPTION
A		1	LEFT BACKREST
B		1	CONSOLE BACKREST
C		1	RIGHT BACKREST
D		1	SEAT
E		2	BOLT

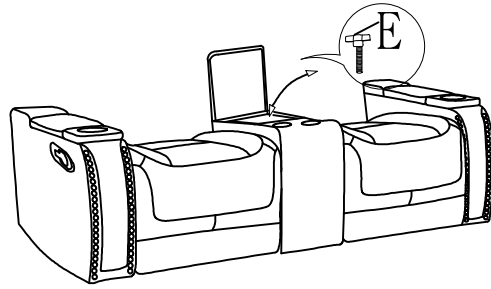
STEP 1

Open the zipper at the bottom of the seat (D) to find the console backrest (B).



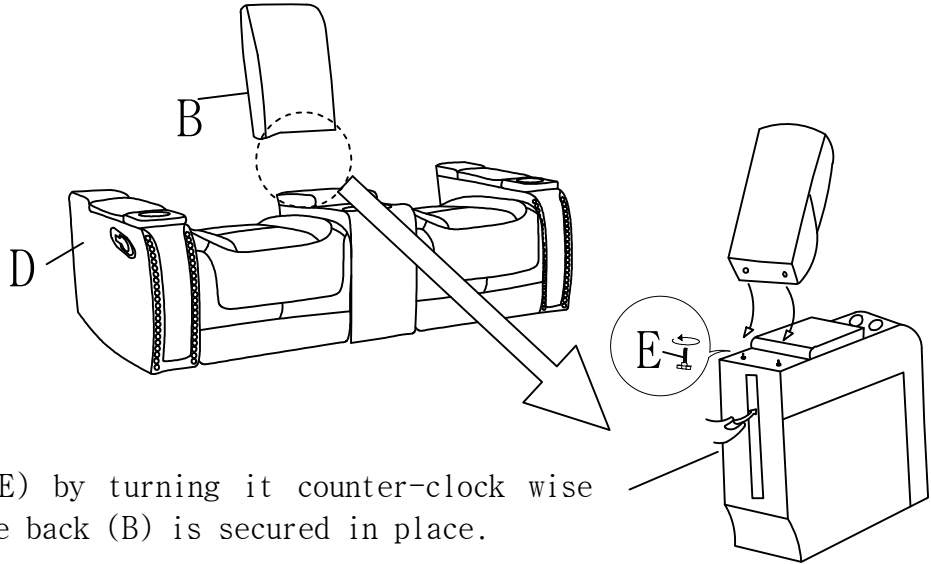
Step 2

Open the console storage to find the bolt (E) to assemble the console backrest (B).



Step 3

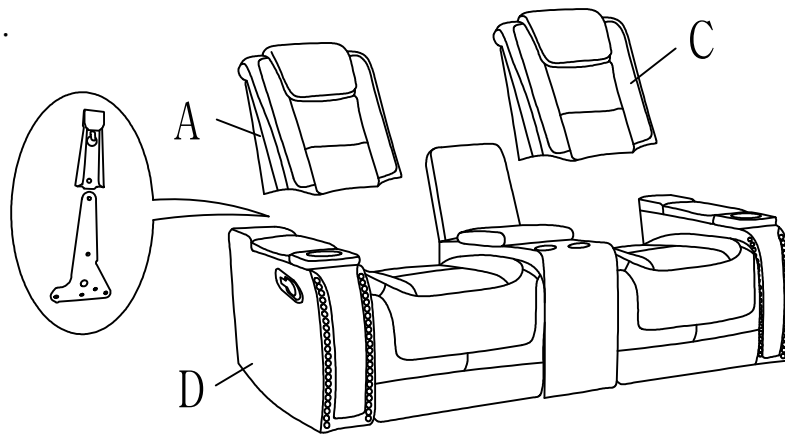
Unzip the back of the console base and insert the bolts (E) upward through the pre-drilled holes and align with the holes on the bottom of the console back (B).



Tighten each bolt (E) by turning it counter-clock wise until the the console back (B) is secured in place.

Step 4

Install the LSF backrest (A) and RSF backrest (C) by align and insert the metal bracket to the metal brackets of the seat (D).Please make sure the brackets are inserted all the way and secured into position.



Step 5

Complete.

