



Assembly Instructions

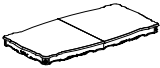




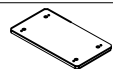
D992-10T: MONIQUE DINING TABLE TOP
 D992-10B: MONIQUE DINING TABLE BASE

Thank you for purchasing this quality product. Be sure to check all packing materials carefully for small parts, which may have come loose inside the carton during shipment. Identify and count all items and compare with the PARTS LIST and/or HARDWARE LIST shown below.







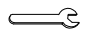
CAUTION: Please read the instructions thoroughly before assembly.

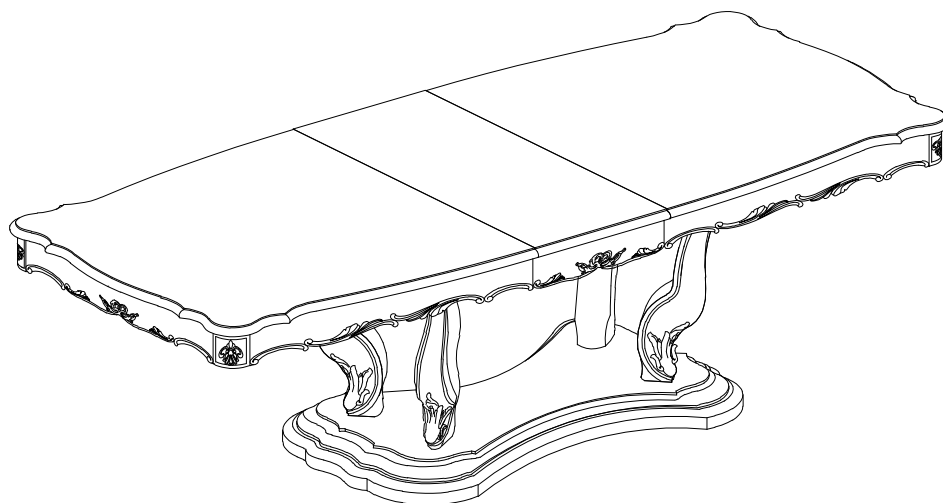
1. We recommend that you assemble this product with the assistance of another person; this will make the assembly easier, and will help eliminate damage to the product or injury to persons during assembly.
2. Please do not over tighten screws or bolts until the assembly is completed.
3. Please put all parts on a non-abrasive floor before assembly, and follow the assembly steps to assemble your newly purchased product correctly and efficiently.

PARTS LIST

NO:	COMPONENT	SKETCH	QTY
A	TABLE TOP		1PC
B	LEG		4PCS
C	TABLE LEAF		1PC
D	BOTTOM PLATE		1PC
E	MOUNTING BOTTOM PANEL		2PCS
F	MOUNTING TOP PANEL		2PCS

HARDWARE LIST

NO:	COMPONENT	SKETCH	QTY
1	Bolt $\Phi 5/16$ "x1-3/4"L		20PCS
2	Lock washer $\Phi 5/16$ "		20PCS
3	Flat washer $\Phi 5/16$ " x 25mm		32PCS
4	Allen Key M4		1PC
5	Double-end Thread $\Phi 5/16$ "x 90mmL		12PCS
6	Hex Nut $\Phi 5/16$ "		12PCS
7	$\Phi 5/16$ " Wrench 12mm		1PC



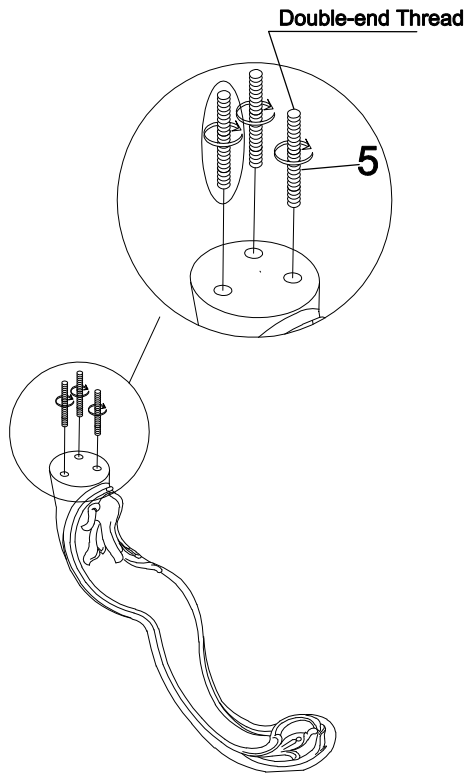


Assembly Instructions

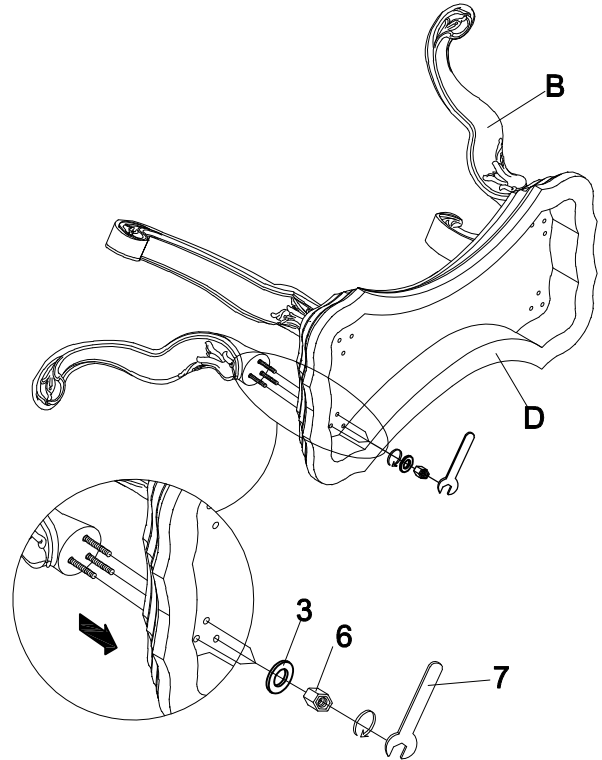
D992-10T: MONIQUE DINING TABLE TOP

D992-10B: MONIQUE DINING TABLE BASE

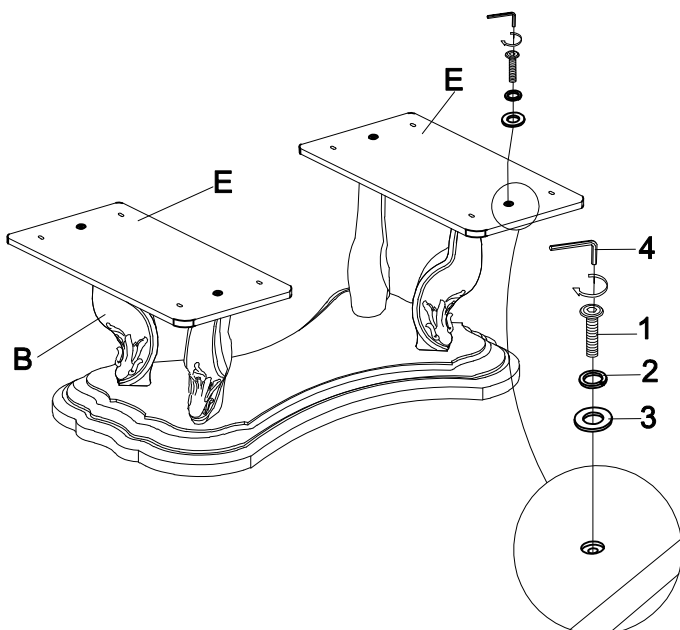
STEP 1



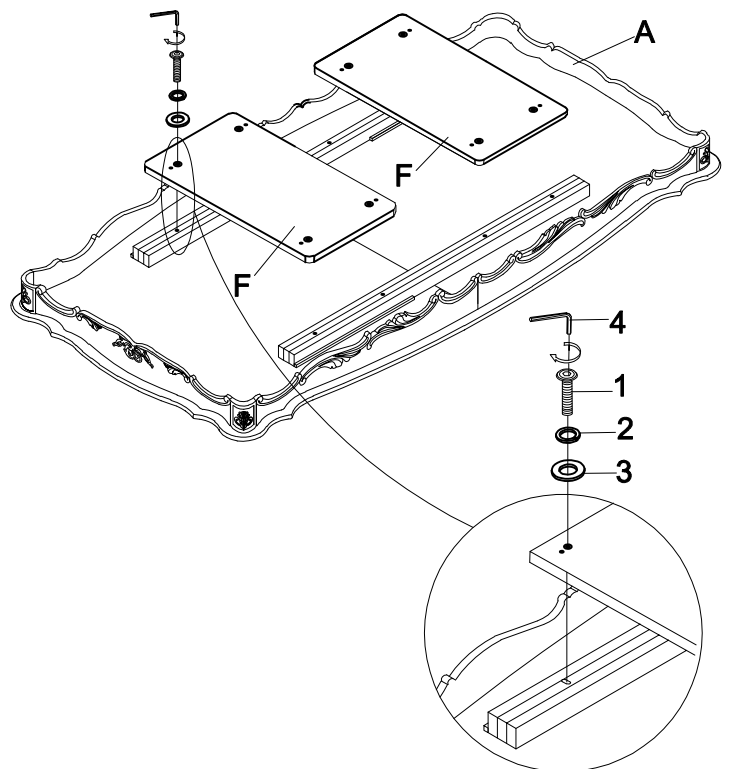
STEP 2



STEP 3



STEP 4





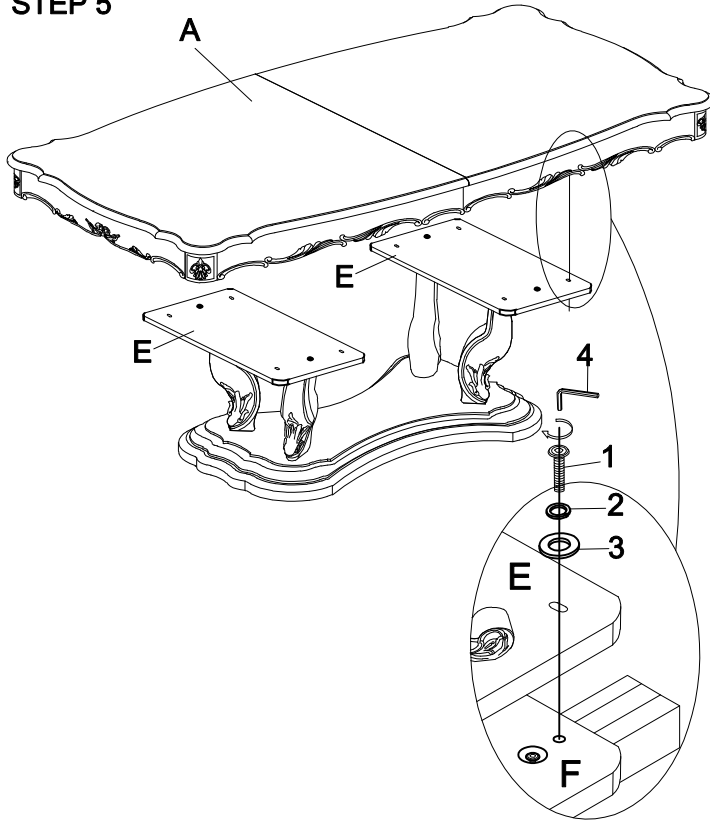
A NEW CLASSIC COMPANY

Assembly Instructions

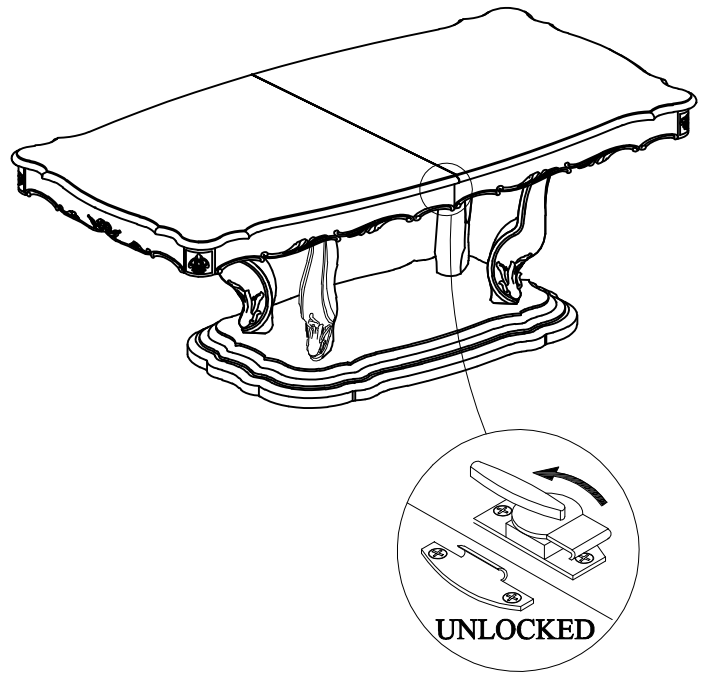
D992-10T: MONIQUE DINING TABLE TOP

D992-10B: MONIQUE DINING TABLE BASE

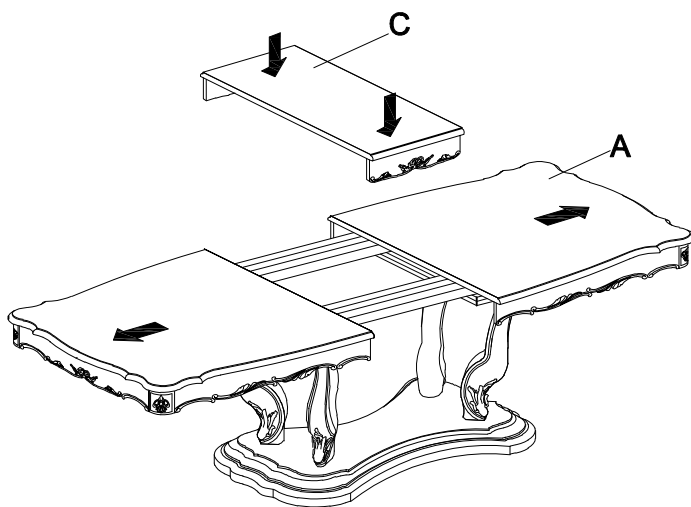
STEP 5



STEP 6



STEP 7



STEP 8

