



# Assembly Instructions

D7723-10T Cambria Hills Dining Table Top  
 D7723-10B Cambria Hills Dining Table Base

Thank you for purchasing this quality product. Be sure to check all packing materials carefully for small parts, which may have come loose inside the carton during shipment. Identify and count all items and compare with the PARTS LIST and/or HARDWARE LIST shown below.

**Caution:** Please read the instructions thoroughly before assembly.

1. We recommend that you assemble this product with the assistance of another person: this will make the assembly easier, and will help eliminate damage to the product or injury to persons during assembly.
2. Please do not over tighten screws or bolts until the assembly is completed.
3. Please put all parts on a non-abrasive floor before assembly, and follow the assembly steps to assemble your newly purchased product correctly and efficiently

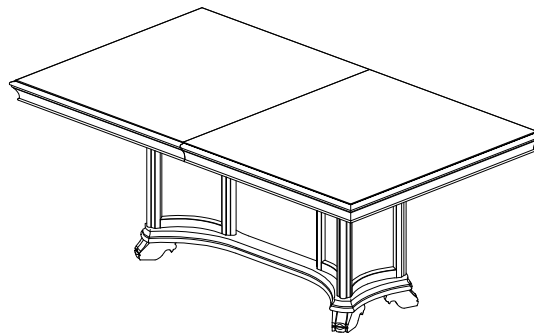
## PARTS LIST

NO:	COMPONENT	DRAWING	Q'TY
A	TABLE TOP		1PC
B	TABLE LEAF		1PC
C	TABLE LEG		1PC
D	TABLE POST		2PCS
E	TABLE TOP CONNECTION PLATE		2PCS
F	TABLE POST CONNECTION PLATE		2PCS

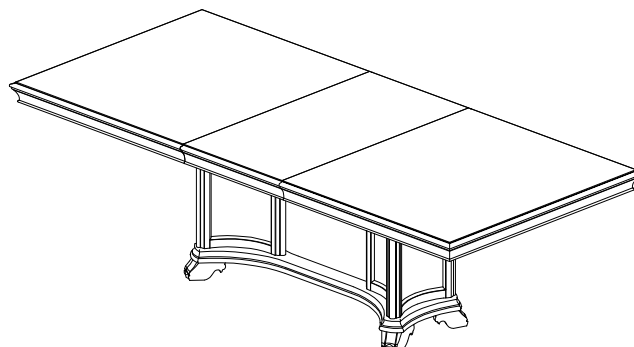
## HARDWARE LIST

NO:	COMPONENT	DRAWING	Q'TY
1	Bolt Ø5/16"x3"		6pcs
2	Lock Washer Ø5/16"		28pcs
3	Flat Washer Ø5/16"x3/4"		28pcs
4	Bolt Ø5/16"x1-3/8"		22pcs
5	Allen key		1pc

Option 1



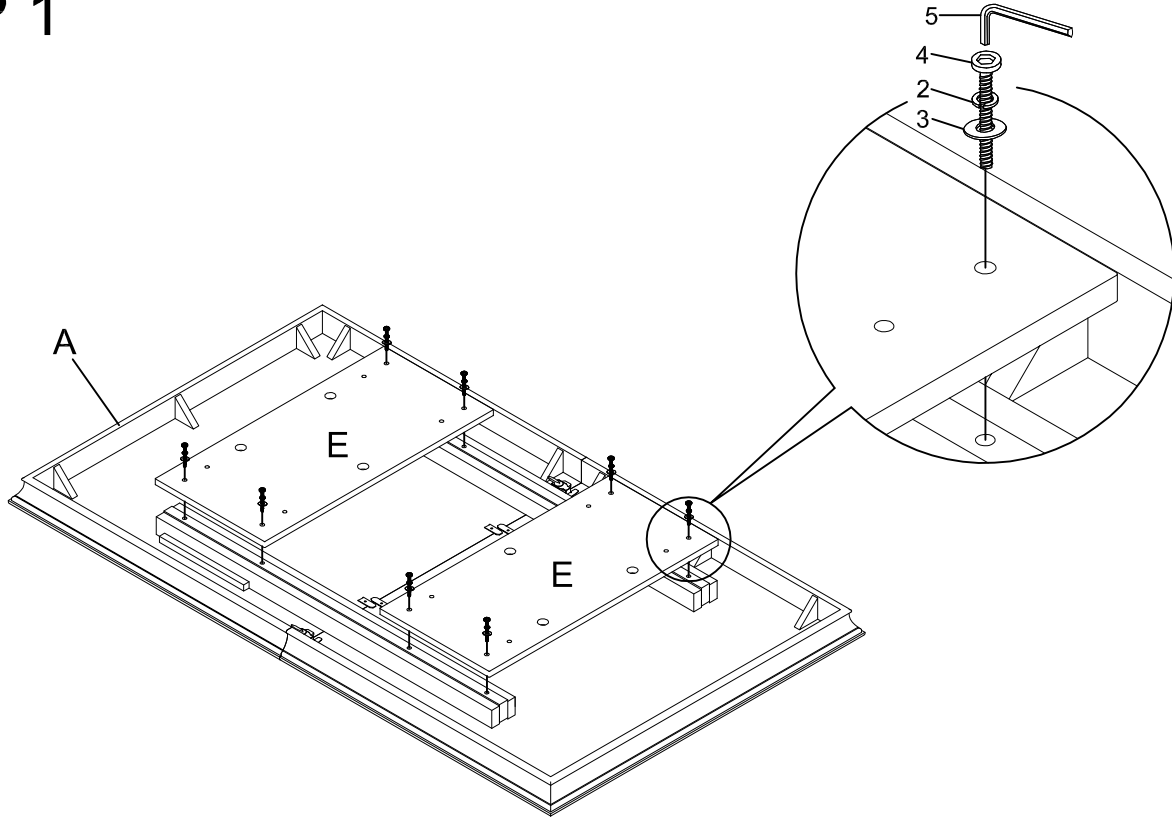
Option 2



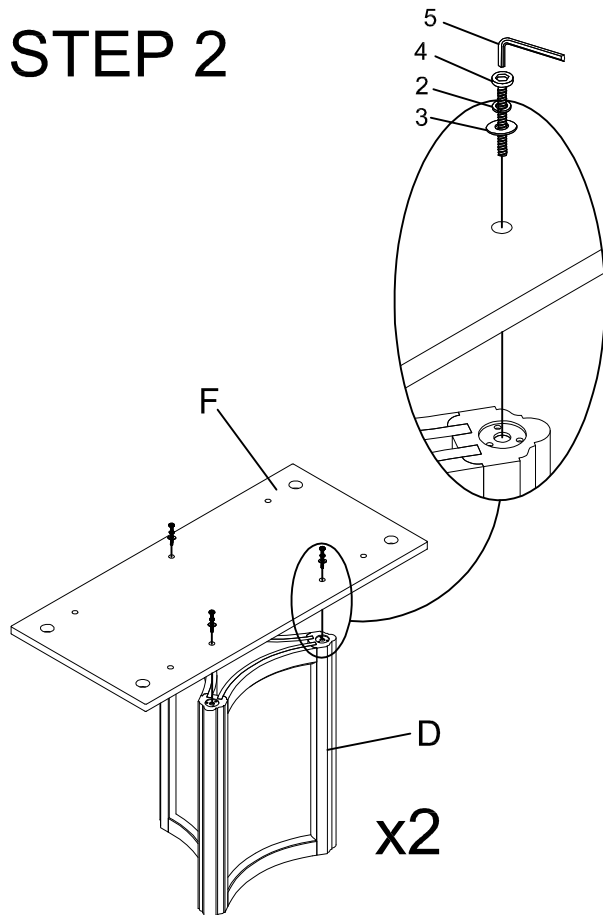
# Assembly Instructions

D7723-10T Cambria Hills Dining Table Top  
D7723-10B Cambria Hills Dining Table Base

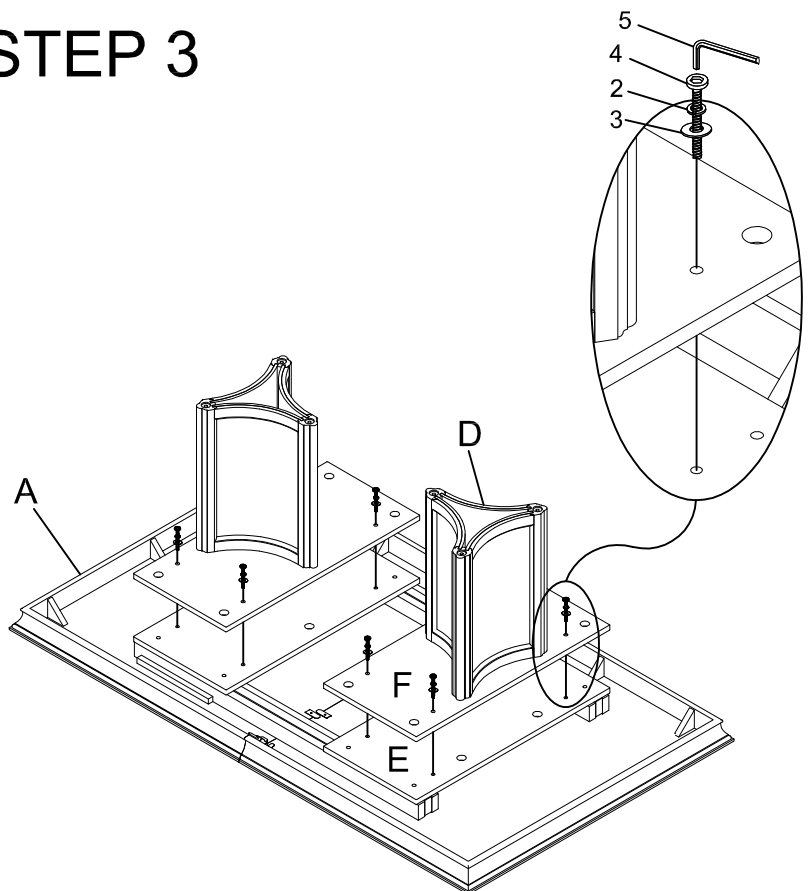
## STEP 1



## STEP 2



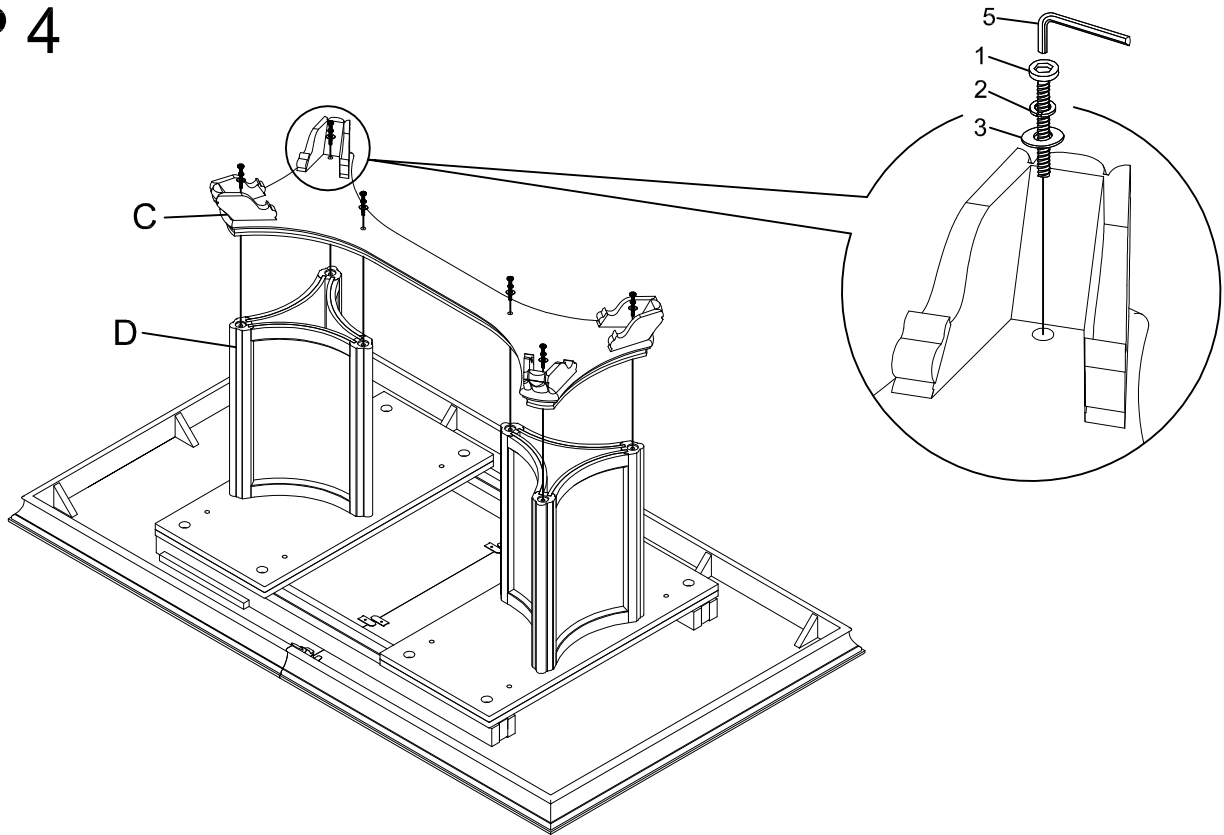
## STEP 3



# Assembly Instructions

D7723-10T Cambria Hills Dining Table Top  
D7723-10B Cambria Hills Dining Table Base

## STEP 4



## STEP 5

