

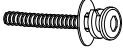

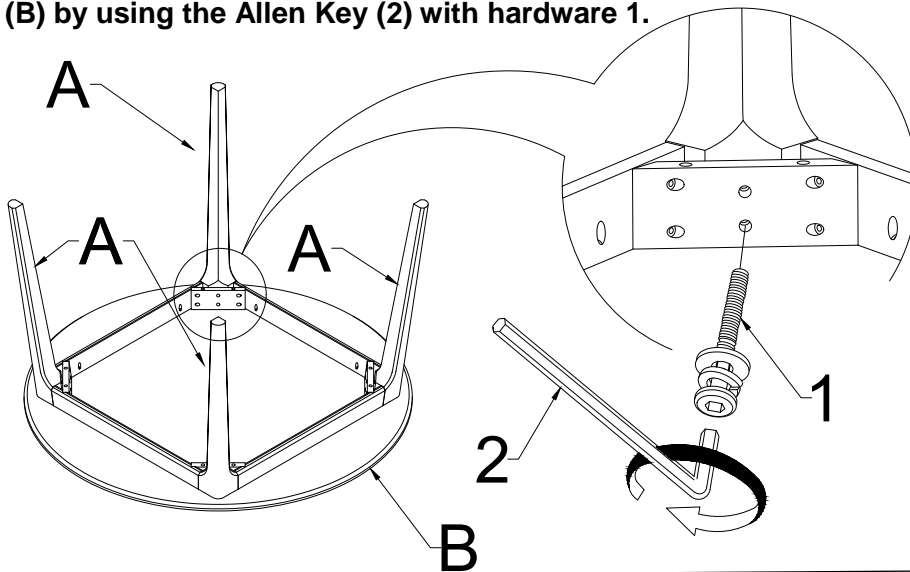


Thank you for purchasing this quality product. Be sure to check all packing materials carefully for small parts, which may have come loose during shipment. Identify and count all items and compare with the parts list and/or hardware list shown below.

PARTS LIST			
NO	DESCRIPTION	SKETCH	QTY
A	TABLE LEG		4 PCS
B	TABLE TOP WITH APRON		1 PC

HARDWARE LIST			
NO	DESCRIPTION	SKETCH	QTY
1	JCBB M8 X 2.36" BOLT WITH SPRING WASHER AND FLAT WASHER		8 PCS
2	ALLEN KEY M5		1 PC

STEP 1: Place the Table Top (B) upside down on a soft and clean surface. Assemble the Table Leg (A) to the Table Top (B) by using the Allen Key (2) with hardware 1.



STEP 2 : Completed assembly.

