

Assembly Instructions

COLLECTION : SALEM



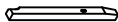


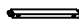

**ITEM NO : D5341-52S SALEM 5 PC COUNTER HT
DINING SET TABLE & 4 CHAIRS**

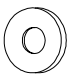



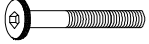
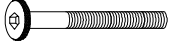
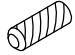

Thank you for purchasing this quality product. Be sure to check all packing materials carefully for small parts, which may have come loose inside the carton during shipment. Identify and count all items and compare with the PARTS LIST and/or HARDWARE LIST shown below.

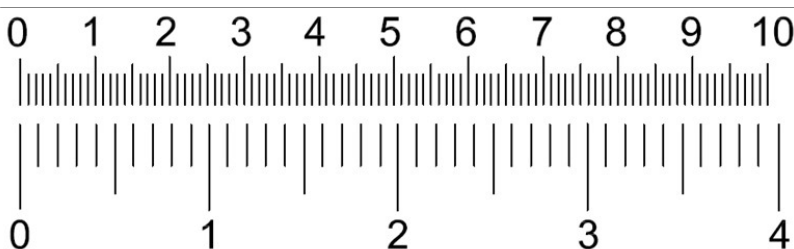


Please read the instructions thoroughly before assembly.

1. We recommend that you assemble this product with the assistance of another person; this will make the assembly easier, and will help eliminate damage to the product or injury to persons during assembly.
2. Please do not tighten screws or bolts until the assembly is completed.
3. To level the chairs or table, before tightening all the screws, the chairs or table must be placed on a flat surface and then tighten the screws.
4. Please put all parts on a non-abrasive floor before assembly and follow the assembly steps to assemble your newly purchased product correctly and efficiently.

PARTS LIST			
NO.	DESCRIPTION	SKETCH	QTY
A	CHAIR BACK		4 PCS
B	SEAT		4 PCS
C	RIGHT SIDE FACING (RSF) LEG		4 PCS
D	LEFT SIDE FACING (LSF) LEG		4 PCS
E	RIGHT SIDE FACING (RSF) STRETCHER		4 PCS
F	LEFT SIDE FACING (LSF) STRETCHER		4 PCS
G	FRONT STRETCHER		4 PCS

HARDWARE LIST			
NO.	DESCRIPTION	SKETCH	QTY
1	FLAT WASHER 1/4" x 3/4" DIA.		40 PCS
2	SPRING WASHER 1/4" DIA.		40 PCS
3	ALLEN KEY M4		4 PCS
4	SHORT BOLT 1/4" x 1-1/2"		8 PCS
5	MEDIUM BOLT 1/4" x 2-3/8"		16 PCS
6	LONG BOLT 1/4" x 3"		16 PCS
7	WOODEN DOWEL Ø10 x 1.2"		4 PCS
8	WOOD SCEW #4 x 1.8"		24 PCS



Assembly Instructions

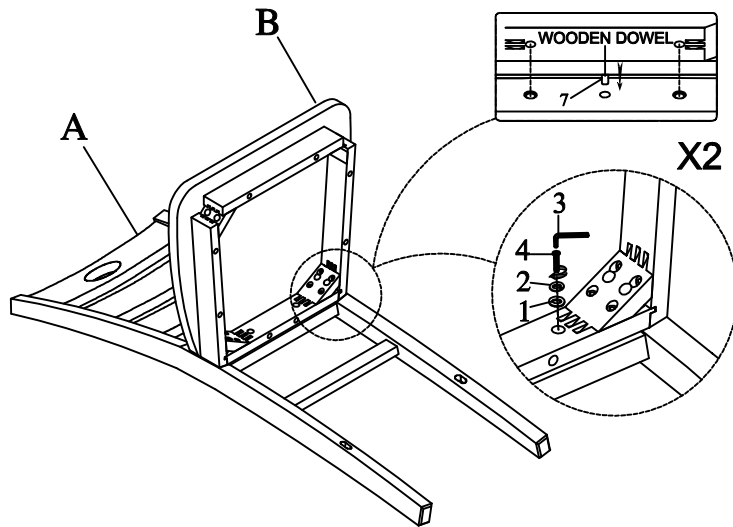
COLLECTION : SALEM

ITEM NO : D5341-52S SALEM 5 PC COUNTER HT
DINING SET TABLE & 4 CHAIRS

STEP 1

Place the chair back (A) on a soft and clean surface. Insert the wooden dowel (7) on the chair back (A) and align the seat (B) to the chair back (A). Assemble the two pieces together by using Allen Key (3) with hardware 1, 2, and 4.

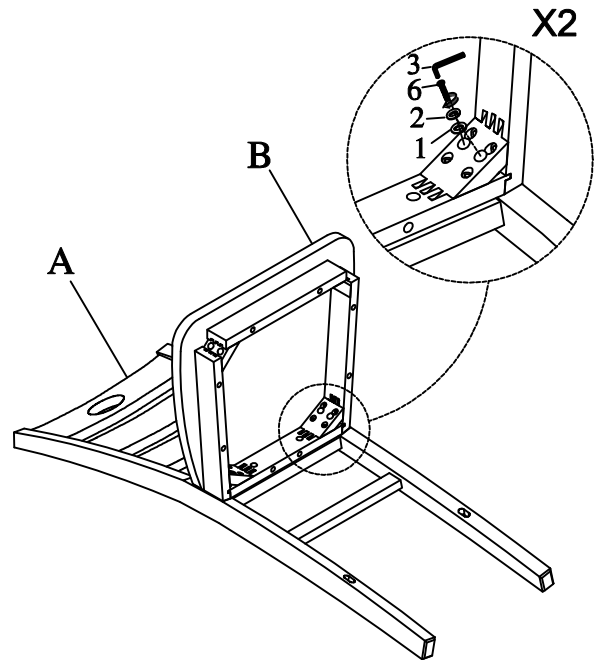
*Attention: DO NOT TIGHTEN THE BOLTS



STEP 2

Assemble the seat (B) with the back legs of the chair back (A) using Allen Key (3) with hardware 1, 2, and 6.

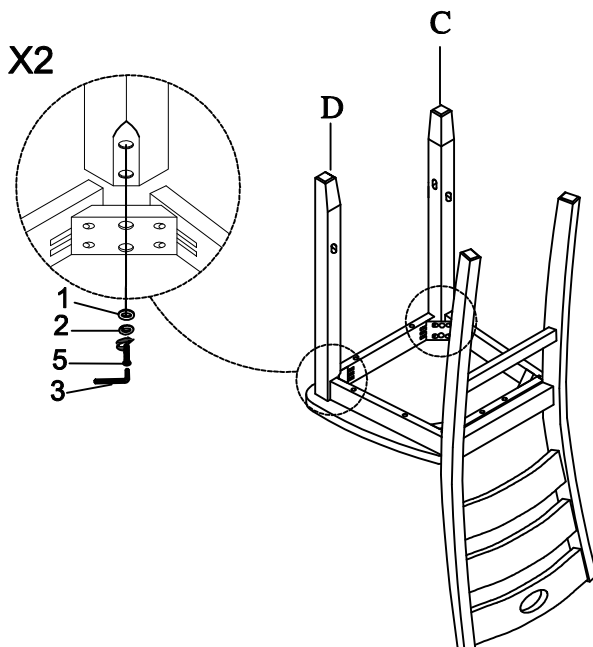
*Attention: DO NOT TIGHTEN THE BOLTS



STEP 3

Assemble the RSF Leg (C) and LSF Leg (D) to the seat (B) by using the Allen Key (3) with hardware 1, 2, and 5.

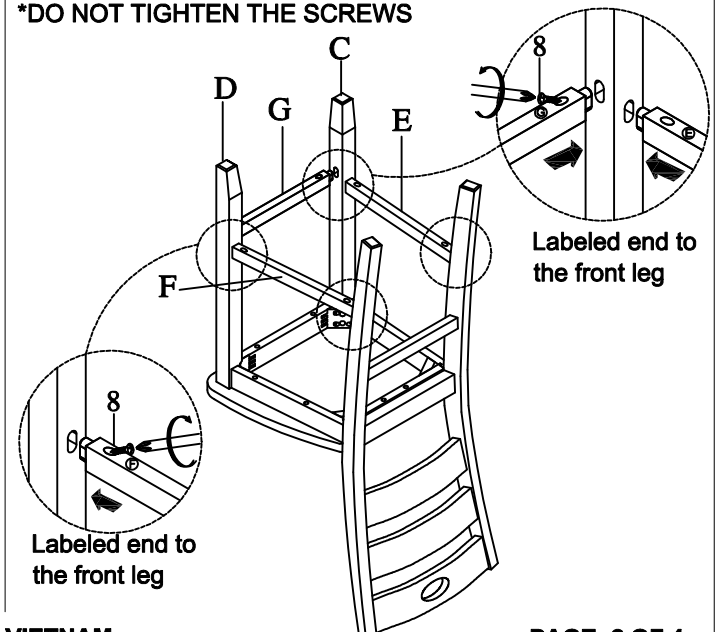
*DO NOT TIGHTEN THE BOLTS



STEP 4

Install the FRONT STRETCHER (G) to the RSF Leg (C) and LSF Leg (D). Then install the RSF stretcher (E) by inserting the end with the label in to the front leg (C) and the LSF stretcher (F) by inserting the end with the label in to the front leg (D). Assemble all the stretchers by using a screwdriver with hardware 8.

*DO NOT TIGHTEN THE SCREWS



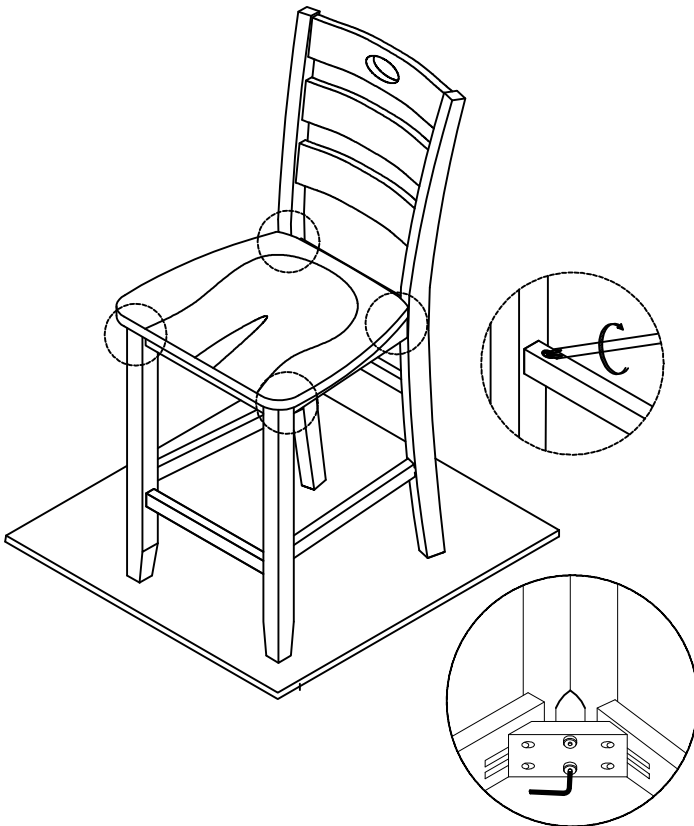
Assembly Instructions

COLLECTION : SALEM

ITEM NO : D5341-52S SALEM 5 PC COUNTER HT
DINING SET TABLE & 4 CHAIRS

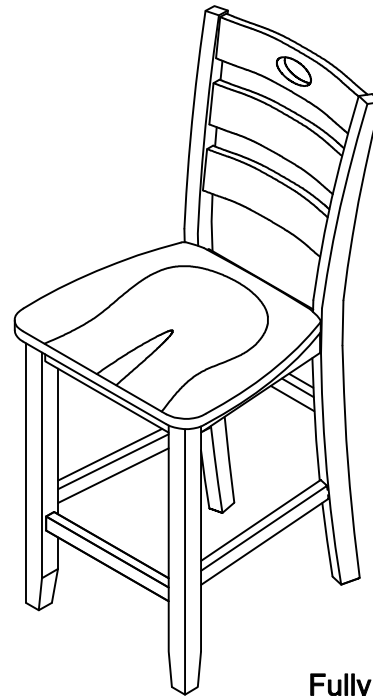
STEP 5

To level the chair, stand the chair up on a flat surface and tighten all the bolts by using Allen Key (3) and screws with a screwdriver.



STEP 6

Repeat STEP 1 through STEP 5 to assemble the other chairs.



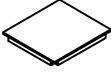
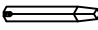
Fully Assembled Chair

Assembly Instructions

COLLECTION : SALEM

ITEM NO : D5341-52S SALEM 5 PC COUNTER HT
DINING SET TABLE & 4 CHAIRS

PARTS LIST

NO.	DESCRIPTION	SKETCH	QTY
A	TABLE TOP		1 PC
B	TABLE LEG		4 PCS

HARDWARE LIST

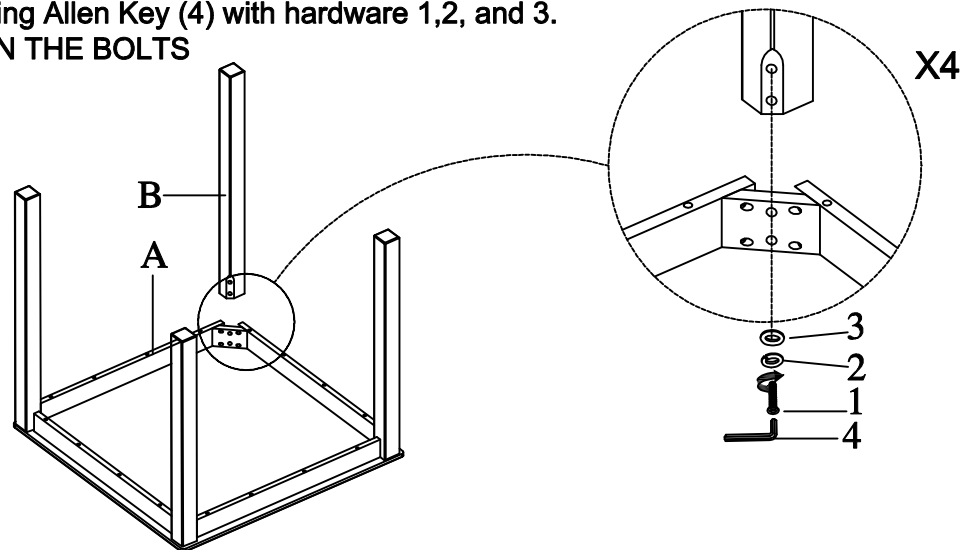
NO.	DESCRIPTION	SKETCH	QTY
1	BOLT 5/16" x 2-3/8"		8 PCS
2	SPRING WASHER 5/16" DIA.		8 PCS
3	FLAT WASHER 5/16" x 3/4" DIA.		8 PCS
4	ALLEN KEY M4		1 PC

STEP 1

Place the table top upside down on a soft and flat surface.

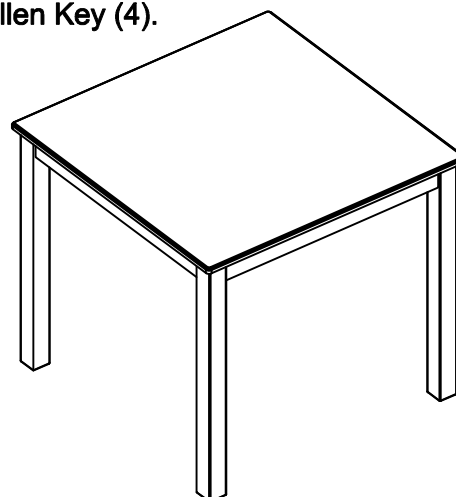
Assemble table leg (B) by using Allen Key (4) with hardware 1,2, and 3.

*Attention: DO NOT TIGHTEN THE BOLTS



STEP 2

To level the table, stand the table up on a flat surface and tighten all the bolts by using Allen Key (4).



Fully Assembled Table