

Assembly Instructions

COLLECTION : STELLAN



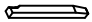
**ITEM NO : D5339-20 STELLAN DINING CHAIR
(2 PER CARTON)**

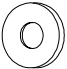



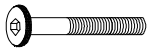
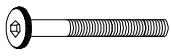
Thank you for purchasing this quality product. Be sure to check all packing materials carefully for small parts, which may have come loose inside the carton during shipment. Identify and count all items and compare with the PARTS LIST and/or HARDWARE LIST shown below.

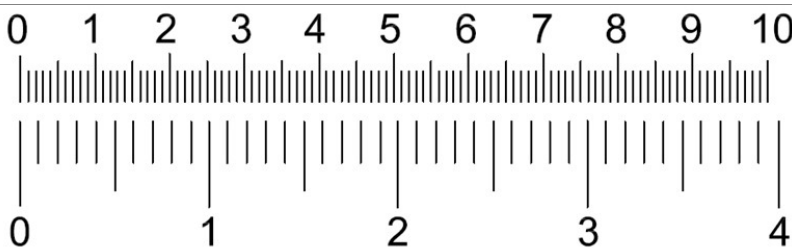


Please read the instructions thoroughly before assembly.

1. We recommend that you assemble this product with the assistance of another person; this will make the assembly easier, and will help eliminate damage to the product or injury to persons during assembly.
2. Please do not tighten screws or bolts until the assembly is completed.
3. To level the chairs or table, before tightening all the screws, the chairs or table must be placed on a flat surface and then tighten the screws.
4. Please put all parts on a non-abrasive floor before assembly and follow the assembly steps to assemble your newly purchased product correctly and efficiently.

PARTS LIST			
NO.	DESCRIPTION	SKETCH	QTY
A	CHAIR BACK		2 PCS
B	SEAT		2 PCS
C	FRONT LEG		4 PCS

HARDWARE LIST			
NO.	DESCRIPTION	SKETCH	QTY
1	FLAT WASHER 1/4" x 3/4" DIA.		20 PCS
2	SPRING WASHER 1/4" DIA.		20 PCS
3	ALLEN KEY M4		2 PCS
4	SHORT BOLT 1/4" x 1-1/2"		4 PCS
5	MEDIUM BOLT 1/4" x 2-3/8"		8 PCS
6	LONG BOLT 1/4" x 3"		8 PCS



Assembly Instructions

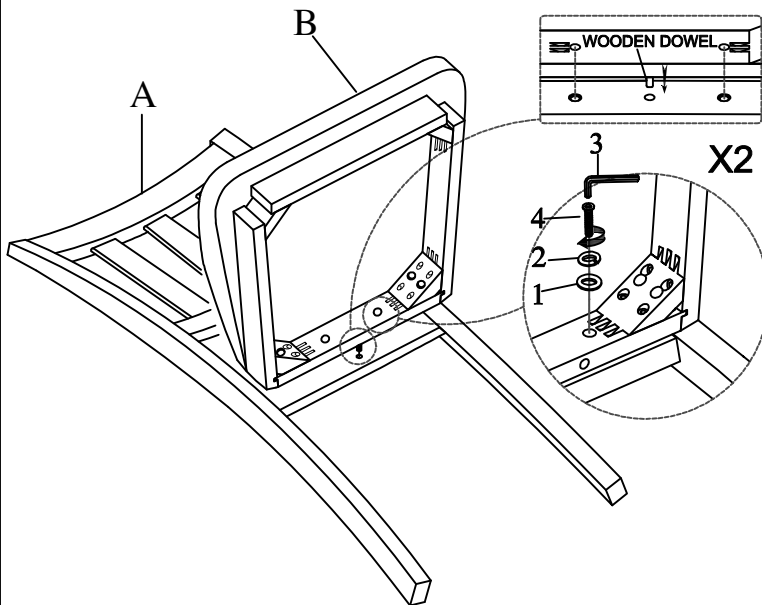
COLLECTION : STELLAN

ITEM NO : D5339-20 STELLAN DINING CHAIR
(2 PER CARTON)

STEP 1

Place the chair back (A) on a soft, clean surface. Align the chair (B) with the chair back (A). Assemble the two pieces together using the Allen Key (3) with hardware 1, 2 and 4.

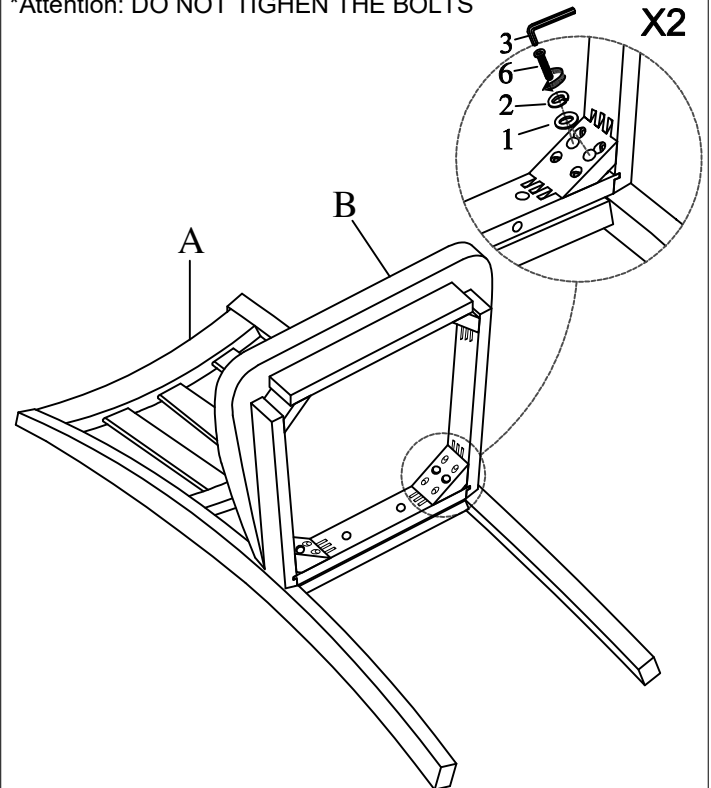
*Note: DO NOT TIGEN THE BOLT



STEP 2

Assemble the seat (B) with the back legs of the chair back (A) using Allen Key (3) with hardware 1, 2, and 6.

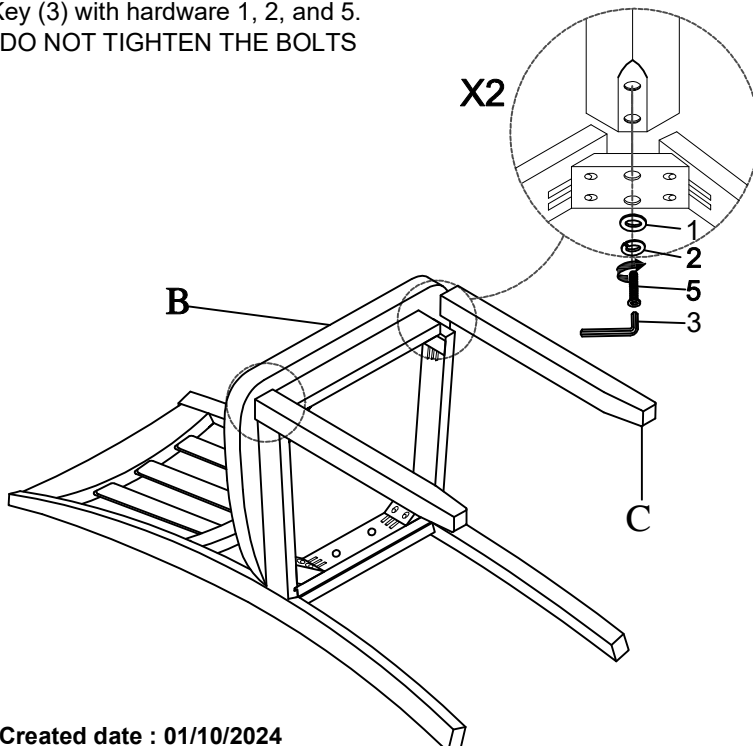
*Attention: DO NOT TIGHEN THE BOLTS



STEP 3

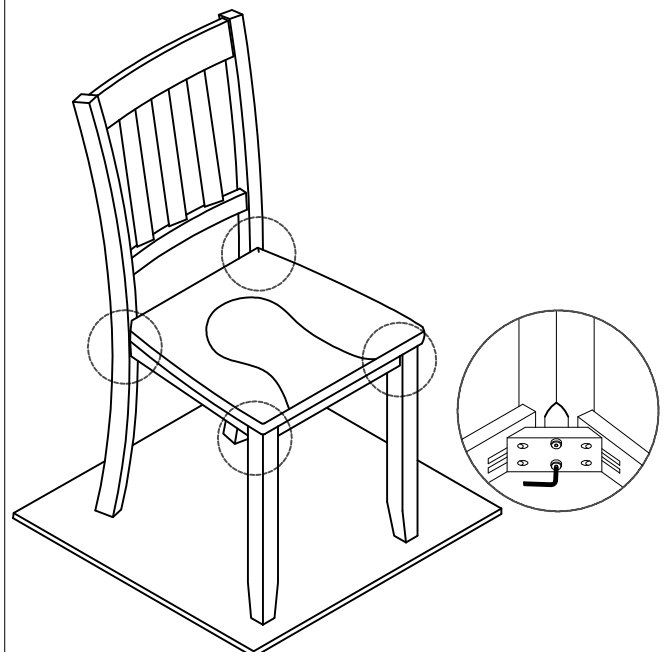
Assemble the Front Legs (C) to the seat (B) by using the Allen Key (3) with hardware 1, 2, and 5.

*DO NOT TIGHTEN THE BOLTS



STEP 4

To level the chair, stand the chair up on a flat surface and tighten all the bolts by using Allen Key (3)



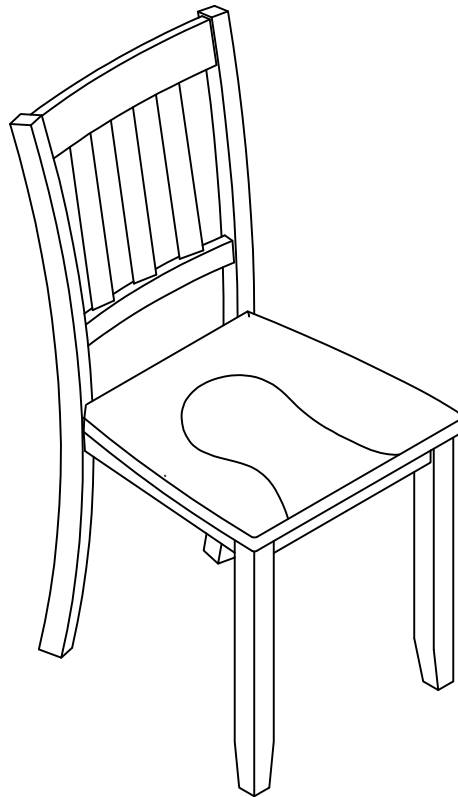
Assembly Instructions

COLLECTION : STELLAN

ITEM NO : D5339-20 STELLAN DINING CHAIR
(2 PER CARTON)

STEP 5

Repeat STEP 1 through STEP 4 to assemble the other chairs.



Fully Assembled Chair